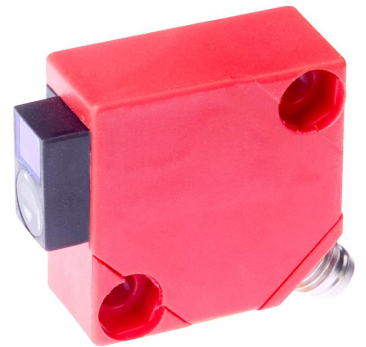


OT150176

Optical sensors • Diffuse reflection sensors with background suppression

Optical sensor, diffuse reflection sensor, 30x30x15mm, Sn: 15-150, 10-35V DC, 1x PNP NO, M8 plug connector 3-pin, IP65, PBTP+glass, 0.5kHz, red light unpolarized, point, manual setting



Optical sensors function contactlessly. They detect objects independent of their characteristics (e.g., shape, color, surface structure, material). The basic operating principle is based on the transmission and reception of light. There are three different versions: 1. The through-beam sensor consists of two separate devices, a transmitter and a receiver that are aligned with one another. If the light beam between the two devices is interrupted, the switching output integrated in the receiver changes its status. 2. With the retro-reflective sensor, the transmitter and receiver are located in one device. The emitted light beam is reflected back to the receiver by a reflector that is to be mounted opposite the device. As soon as the light beam is interrupted, the switching output integrated in the device changes its status. 3. With the diffuse reflection sensor, the transmitter and receiver are in one device. The emitted light beam is reflected by the object that is to be detected. As soon as the receiver detects the reflected light, the switching output integrated in the device changes its status.

Electrical features

Response/decay time	1 ms
Number of switching outputs	1
Display	LED display
Type of switching function	Normally open contact (NO)
Type of electrical connection	Connector M8
Type of switching output	PNP
Rated switching current	200 mA
Readiness delay	100 ms
Setting procedure	Manual adjustment
Short-circuit protection	Yes
No-load current	25 mA
Number of pins	3
Residual ripple	20 %
Switching distance	15 - 150 mm
Switching frequency	500 Hz
Voltage drop	2 V
Scanning function	Light switching
Reverse polarity protection	Yes
Decay time	1 ms
Operating voltage (DC)	10 - 35 V

Mechanical features

Design	Cuboid
Width	15 mm
Height	30 mm
Length	30 mm
Degree of protection (IP)	IP65
Active area material of sensor	glass
Housing material	PBT
Ambient temperature	-25 - 55 °C

Optical features

Light source	Polarity free red light
Light beam form	Point
Wavelength of the sensor	660 nm

Other features

Operational mode	Background suppression
Reference medium / object	Material with 90% reflectivity

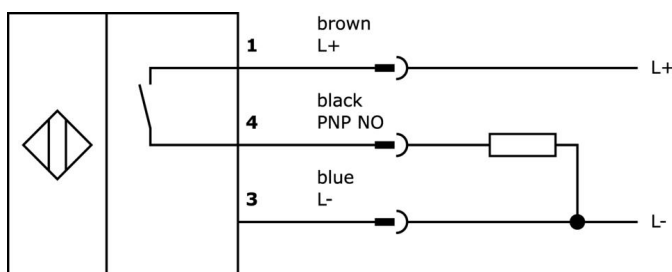
Classification

ETIM 8	EC002719 Photoelectric proximity switch with background suppression
--------	---

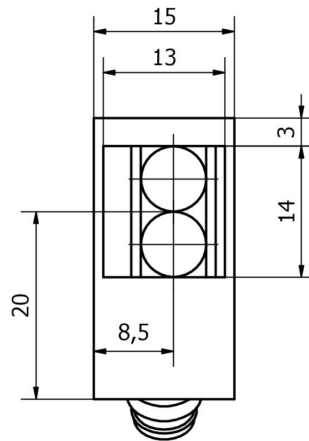
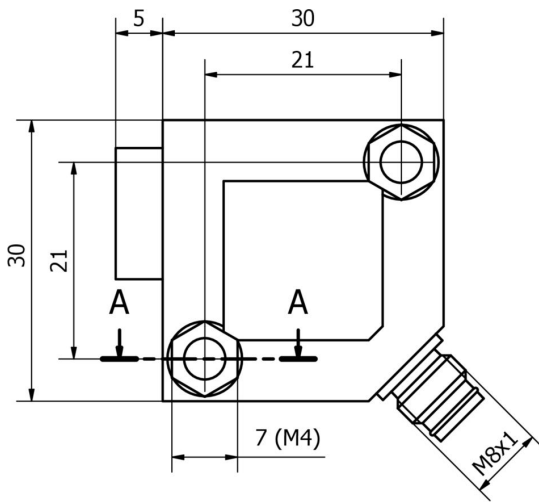
More

IPF Product Group	100 optical sensors
packaging dimensions	215 x 180 x 16 mm
gross weight	40 g
Customs tariff number	85365019
WEEE number	40951076
Reach-compliant	Yes
RoHS-compliant	Yes

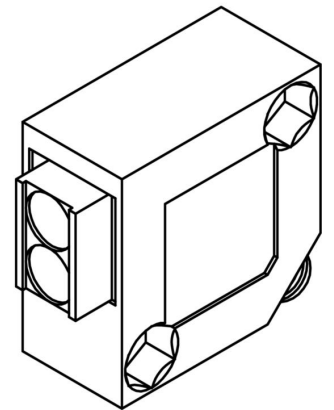
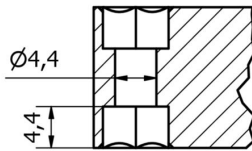
Connection



Dimensional drawing



A-A (2 : 1)



Extract accessories program

VK200271



Connection cable, 2m, M8 Female (socket) 3pin Angular, Free conductor end, 3x0.34mm², PUR (Polyurethane), Ø4.3mm, -30-90°C, IP67, With LED display, Suitable for trailing chain and torsion resistant, Oil and cooling lubricants, Welding area, Silico...

VK500271



Connection cable, 5m, M8 Female (socket) 3pin Angular, Free conductor end 3pin, 3x0.34mm², PUR (Polyurethane), Ø4.3mm, -30-90°C, IP67, With LED display, Suitable for trailing chain and torsion resistant, Oil and cooling lubricants, Welding area, S...

VK030F70



Connection cable, 0.3m, M8 socket 3-pin angular, M8 connector 3-pin straight, 3x0.34mm², PUR (polyurethane), 60V, IP67, suitable for trailing chain and torsion resistant, oils and cooling lubricants, welding area, silicone-free

VK030F74



Connection cable, 0.3m, M8 socket 3-pin straight, M8 connector 3-pin straight, 3x0.34mm², PUR (polyurethane), 60V, IP67, suitable for trailing chain and torsion resistant, oils and cooling lubricants, welding area, silicone-free

VK003070



Cable socket, Angular, Suitable for self-assembly, Soldering connection, Ø3.5-5mm, 4A, 60V, -40-85°C, M8 Female (socket) 3pin, IP67, Brass

VK003074



Cable socket, Straight, Suitable for self-assembly, Soldering connection, Ø3.5-5mm, 4A, 60V, -40-85°C, M8 Female (socket) 3pin, IP67, Brass

VK030F82



Connection cable, 0.3m, M8 socket 3-pin angular, M12 connector 3-pin straight, 3x0.34mm², PUR (polyurethane), IP67, LED, suitable for trailing chain and torsion resistant, oils and cooling lubricants, welding area, silicone-free

VK060F82



Connection cable, 0.6m, M8 socket 3-pin angular, M12 connector 3-pin straight, 3x0.34mm², PUR (polyurethane), IP67, LED, suitable for trailing chain and torsion resistant, oils and cooling lubricants, welding area, silicone-free

VK200071



Connection cable, 2m, M8 Female (socket) 3pin Angular, Free conductor end, 3x0.34mm², PUR (Polyurethane), Ø4.3mm, 60V, -40-90°C, IP67, TPU, Suitable for trailing chain and torsion resistant, Oil and cooling lubricants, Welding area, Silicone-free

You can find further accessories on our homepage



Installation

Mounting / installation may only be carried out by a qualified electrician!



Disposal

WEEE number according to § 6 para. 3 ElektroG: 40951076

Safety warnings

/ Before initial operation, please make sure to follow all safety instructions that may be provided in the product information.

/ Never use these devices in applications where the safety of a person depends on their functionality.