

## OT710900

### Motion and presence detectors • Presence detector

sensor optical, Presence detector, 102x96x127mm, 12-24V AC/DC, -30-60°C, 2x Relay contact Change-over contact, Cable 10m, IP65, Plastic PC



Radar sensors are used primarily as signal transducers for controlling automatic doors and gates. They detect the movement of persons and/or industrial trucks and, at the same time, are insensitive to soiling. Objects can be detected depending on their movement direction in order to optimize the opening cycles of the gates. In doing so, it is possible to mask out people so that the sensor responds only when vehicles approach. Furthermore, it is possible to eliminate interference caused by moving objects within the detection range of the sensor. Systems that are also equipped with presence detection monitor the area in front of a gate in order to prevent the gate leaf from coming into contact with vehicles or objects.

#### Electrical features

Number of switching outputs	2
Display	LED display
Type of switching function	Change-over contact (NO/NC)
Type of electrical connection	Cable
Type of switching output	Relay contact
Turn-off delay	0,5 - 9 ms
Rated switching current	1000 mA
Setting procedure	Parameterization via remote control
Holding time	0,5 s
Power consumption	2 VA
Min. speed	0.05 m/s
Reaction time	250 ms
Switching voltage	42 V
Operating voltage (AC 50Hz)	12 - 24 V
Operating voltage (DC)	12 - 24 V

**Mechanical features**

Number of cores	8
Width	127 mm
Height	102 mm
Mounting height	2500 - 6000 mm
Cable length	10 m
Length	96 mm
Mounting method	Surface mounted (plaster)
Inclination angle	15 - 45 °
Optimum mounting height	5 m
Degree of protection (IP)	IP65
Housing material	Plastic PC
Ambient temperature	-30 - 60 °C

**Optical features**

Light source	Infrared light
Wavelength of the sensor	875 nm
Detection range, presence	3000 x 3000mm

**Other features**

Reference medium / object	Material with 90% reflectivity
---------------------------	--------------------------------

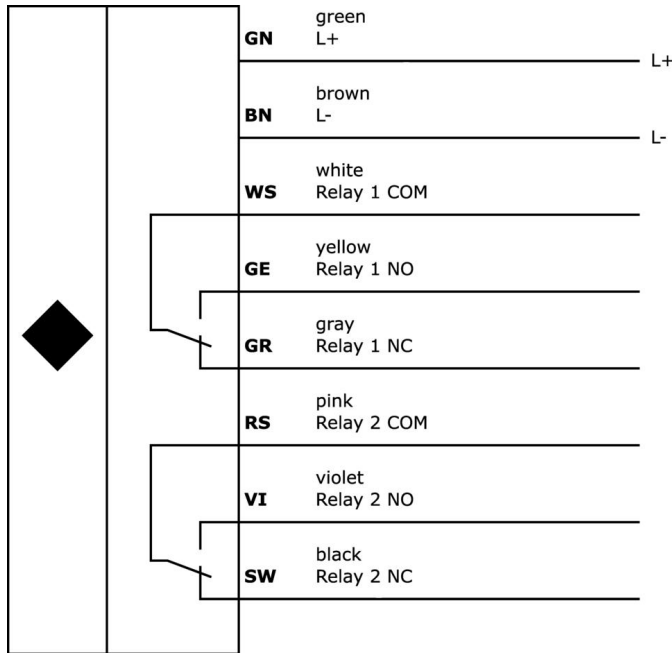
**Classification**

ETIM 8	EC000138 Motion detector sensor
--------	---------------------------------

**More**

IPF Product Group	260 motion and presence detectors
packaging dimensions	225 x 200 x 110 mm
gross weight	960 g
Customs tariff number	85365019
WEEE number	40951076
Reach-compliant	Yes
RoHS-compliant	Yes

**Connection**



**Extract accessories program**

**AR000001**



accessories Radar, Remote control, Plastic, With LED display

**AY000141**



Plastic sheath, Ø17mm, Inner diameter 10mm, -40-250°C, Glass fiber with silicone rubber, Short-term resistance to weld spatter 1200°C, Tensile strength 400N, Flexible, Flame retardant, yard good

**AO000293**



accessories optical, Infrared spotfinder, Plastic, With LED display, Signal tone

**VY850001**



Inverter/signal-inversion/turn-off delay, 85x65x18mm, 0.01-10s, 12-30V DC, 1x NC/NO, Clamp 8pin, IP40, Plastic, Plug-in jumpers

**VY850002**



Inverter/signal-inversion/turn-off delay, 85x65x18mm, 0.01-10s, 12-30V DC, 1x NC/NO, Clamp 8pin, IP40, Plastic, Plug-in jumpers

**VL250100**



Logic module, 49x80x26mm, AND, 4fold, 10-35V DC, sensor side Clamp, control side Clamp, IP40, Plastic

**VL250120**



Logic module, 49x80x26mm, OR, 4fold, 10-35V DC, sensor side Clamp, control side Clamp, IP40, Plastic

You can find further accessories on our homepage



**Installation**

Mounting / installation may only be carried out by a qualified electrician!



**Disposal**

WEEE number according to § 6 para. 3 ElektroG: 40951076

---

**Safety warnings**

- / Before initial operation, please make sure to follow all safety instructions that may be provided in the product information.
- / Never use these devices in applications where the safety of a person depends on their functionality.