

OV540920

High performance light barriers • Amplifier

High-power photoelectric sensor amplifier, 110x75x100mm, 4x multiplex, change-over contact (NO/NC), terminal, IP20, plastic, turn-off delay 15s



The article OV540920 is an amplifier with four channels that belongs to the multiplex devices. These enable differentiation between the operated light barriers, which allows the sensors to be arranged close together. With a range of up to 40000mm, the OV540920 amplifier is particularly powerful and versatile. It is part of the "amplifiers" subgroup, which in turn belongs to the "high-performance light barriers" supergroup. The high-performance light barriers are characterized by extreme insensitivity to dirt and a long range, which makes them ideal for demanding applications in various industrial sectors. The simple mounting and handling of the amplifiers and sensors underline the high user-friendliness of this system.

Electrical features

Number of presets to be set	2
Number of channels	4
Number of contacts as change-over contact	4
Number of switching outputs	4
Number of normally open contacts	1
Display	LED display
Type of switching function	Change-over contact (NO/NC)
Type of electrical connection	Clamped terminal connection
Type of switching output	Relay contact
Turn-off delay	0 - 15 ms
Rated switching current	5000 mA
Input voltage tolerance	20 %
Turn-on delay	0 - 15 s
Setting procedure	Potentiometer
Power consumption	4.5 VA
Switching distance	0 - 40000 mm
Switching frequency	20 Hz
Switching voltage AC	230 V
Operating voltage (DC)	19,2 - 28,8 V
Cascadable	Yes

Mechanical features

Design	Cuboid
Width	100 mm
Height	110 mm
Length	75 mm
Mounting method	Top hat rail
Degree of protection (IP)	IP20
Housing material	Plastic
Ambient temperature	-25 - 50 °C

Optical features

Range (transmitter with increased power, receiver with short design)	15
Range (transmitter with increased power, receiver with normal design)	30
Range (transmitter with maximum power, receiver with short design)	20
Range (transmitter with maximum power, receiver with normal design)	40
Range (transmitter with normal power, receiver with short design)	10
Range (transmitter with normal power, receiver with normal design)	20

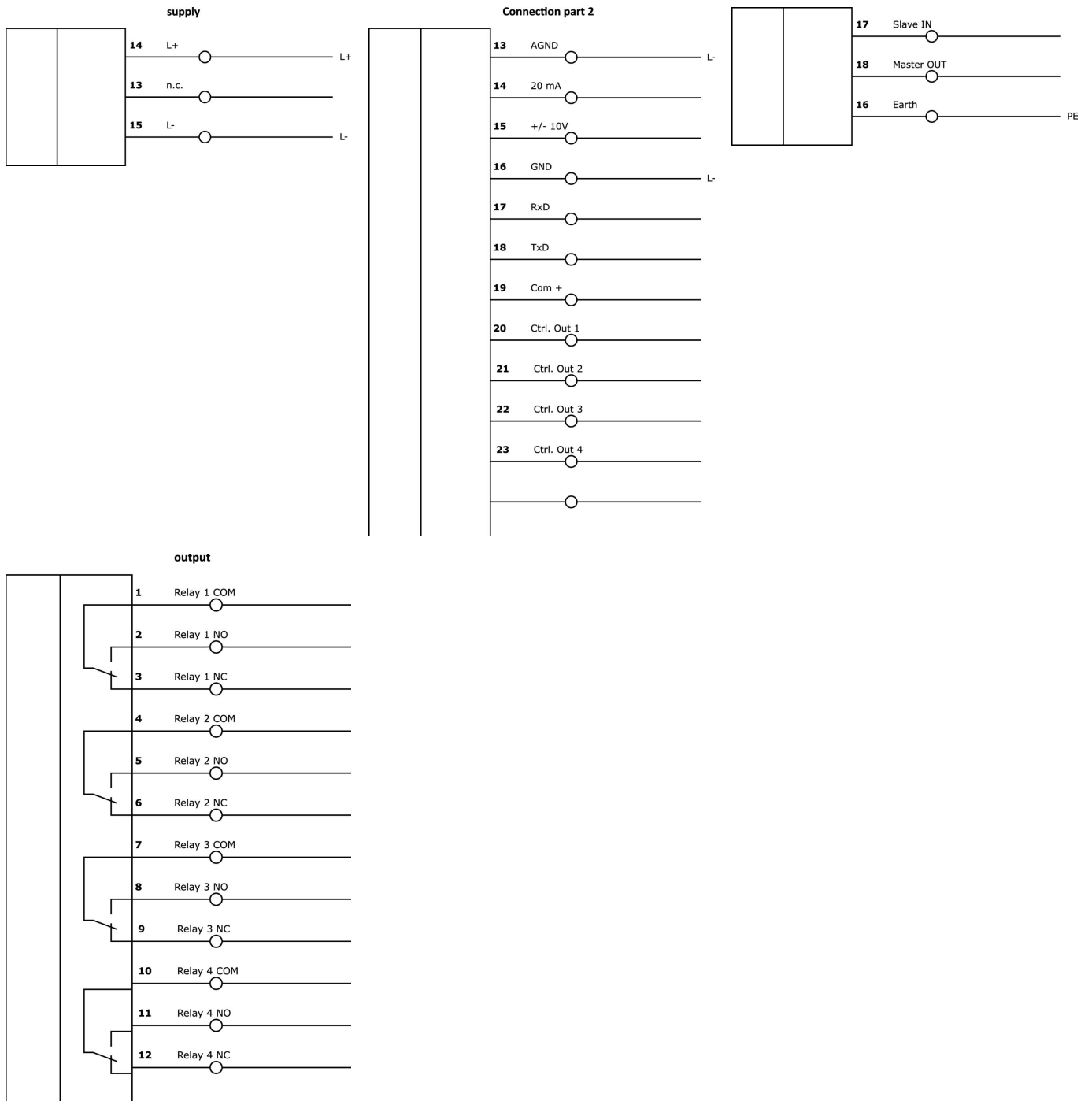
Classification

ETIM 8	EC001485 Isolation amplifier
--------	------------------------------

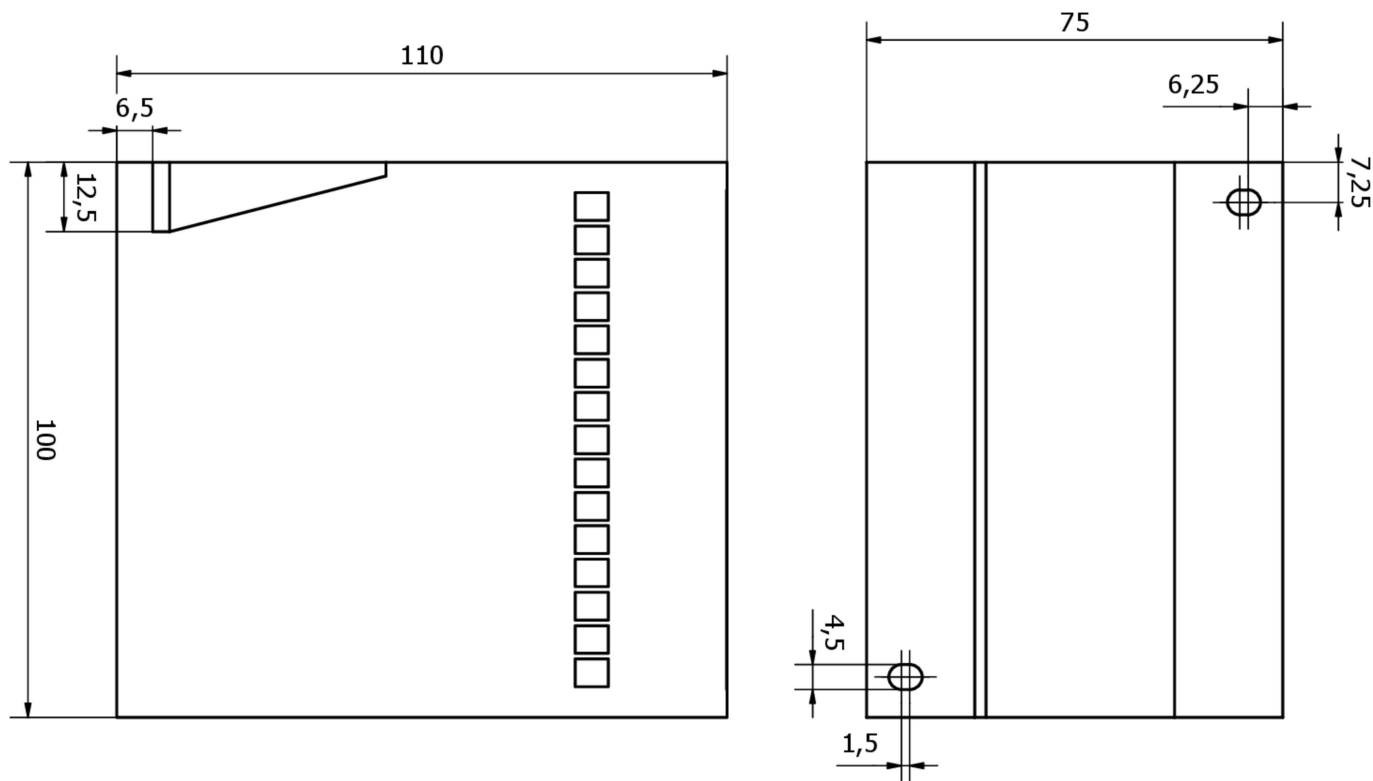
More

IPF Product Group	101 high performance through-beam sensors and amplifiers
packaging dimensions	165 x 115 x 82 mm
gross weight	450 g
Customs tariff number	85365019
WEEE number	40951076
Reach-compliant	Yes
RoHS-compliant	Yes

Connection



Dimensional drawing



Extract accessories program

OE106001



High-power photoelectric sensor receiver, Ø10mm 45long, standard design, connection to amplifier, cable tail 2-pin 5m PVC, IP67, plastic+plastic

OE106003



High-performance photoelectric sensor receiver, Ø10mm 45long, standard design, connection to amplifier, 2-pin cable tail 15m PVC, IP67, plastic+plastic

OS106001



High-power photoelectric sensor transmitter, Ø10mm 45long, normal power (40mW), 12°, connection to amplifier, cable tail 5m PVC, IP67, plastic+plastic

OS106003



High-power photoelectric sensor transmitter, Ø10mm 45long, normal power (40mW), 12°, connection to amplifier, cable tail 15m PVC, IP67, plastic+plastic

AV000108



accessories miscellaneous, Surface mounted housing, 126x175x125mm, -40-120°C, IP66, Plastic PC, Gray, Transparent, With cable entry

AV000109



accessories miscellaneous, Surface mounted housing, 126x125x125mm, -40-120°C, IP66, Plastic PC, Gray, Transparent, With cable entry

You can find further accessories on our homepage



Installation

Mounting / installation may only be carried out by a qualified electrician!



Disposal

WEEE number according to § 6 para. 3 ElektroG: 40951076

Safety warnings

/ Before initial operation, please make sure to follow all safety instructions that may be provided in the product information.

/ Never use these devices in applications where the safety of a person depends on their functionality.