

## OV560930

### High performance light barriers • Amplifier

High-performance photoelectric sensor amplifier, 22.5x91x91mm, 24V, change-over contact (NO/NC), terminals, IP20, plastic, teach-in, fault signal output



The article with the part number "OV560930" is a single-channel amplifier for a light barrier. It belongs to the "amplifiers" subgroup, which is part of the "high-power light barriers" supergroup. The high-performance light barriers have been specially developed for applications where conventional light barriers reach their limits.

The OV560930 amplifier processes the information it receives from the receiver and regulates the power of the transmitter accordingly. It is characterized by extreme insensitivity to dirt and a long range, making it ideal for demanding applications such as the wood and paper industry, vehicle washing systems, bulk material control, elevators, outdoor gate control, the food industry and more.

With a large angle of beam spread, the amplifier simplifies alignment with the light barrier, even at ranges of up to 60m. It is also insensitive to vibrations and shocks. The simple installation and handling emphasize the high user-friendliness of this product. Unfortunately, no information is available on the maximum range of the amplifier.

**Electrical features**

Number of channels	1
Number of contacts as change-over contact	1
Number of switching outputs	1
Display	LED display
Type of switching function	Change-over contact (NO/NC)
Type of alarm output	PNP
Type of analog output	0 - 10V
Type of electrical connection	Clamped terminal connection
Type of switching output	Relay contact
Rated switching current	5000 mA
Input voltage tolerance	20 %
Setting procedure	Teach-In
No-load current	75 mA
Power consumption	1.8 VA
Number of pins	14
Switching frequency	35 Hz
Switching function of the alarm output	Normally open contact (NO)
Switching capacity	120 VA
Switching voltage AC	250 V
Switching voltage DC	24 V
Operating voltage (DC)	19,2 - 28,8 V
Malfunction message output	Yes
With soiling compensation	Yes

**Mechanical features**

Design	Cuboid
Width	22.5 mm
Height	91 mm
Length	91 mm
Mounting method	Top hat rail
Degree of protection (IP)	IP20
Housing material	Polyamide PA
Ambient temperature	-25 - 50 °C

**Optical features**

Range (transmitter with increased power, receiver with short design)	10
Range (transmitter with increased power, receiver with normal design)	25
Range (transmitter with maximum power, receiver with short design)	20
Range (transmitter with maximum power, receiver with normal design)	50
Range (transmitter with normal power, receiver with short design)	7
Range (transmitter with normal power, receiver with normal design)	15

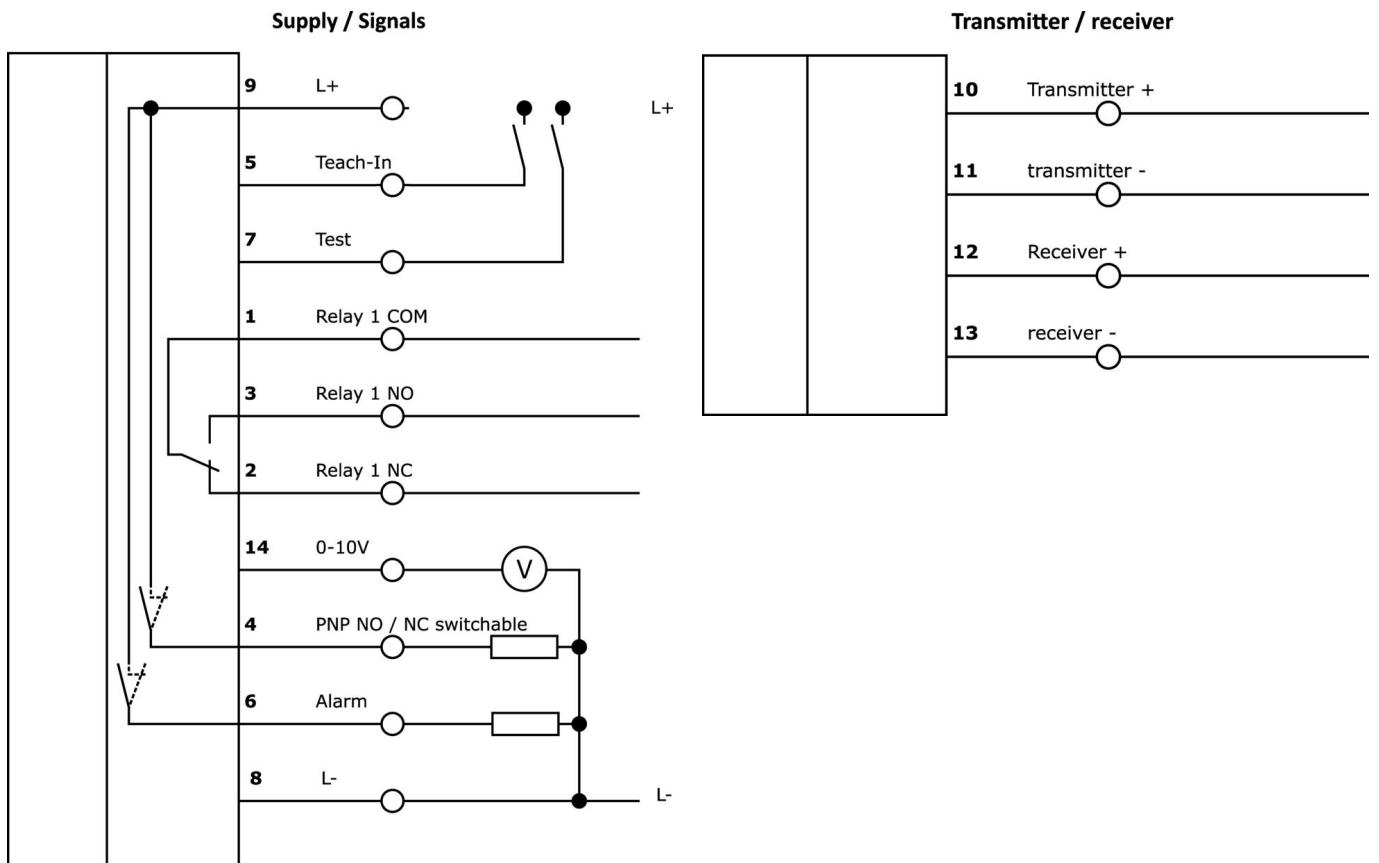
**Classification**

ETIM 8	EC001485 Isolation amplifier
--------	------------------------------

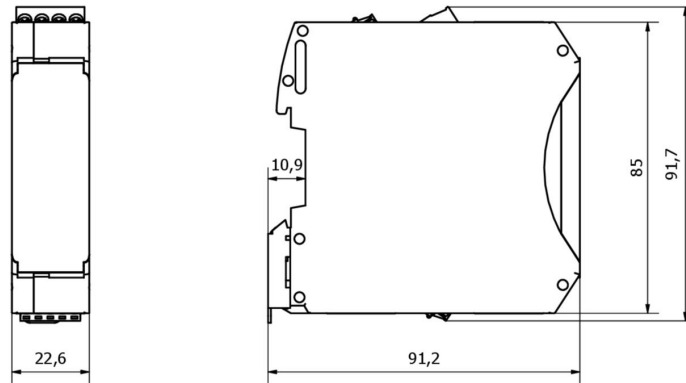
**More**

IPF Product Group	101 high performance through-beam sensors and amplifiers
packaging dimensions	116 x 103 x 29 mm
gross weight	117 g
Customs tariff number	85365019
WEEE number	40951076
Reach-compliant	Yes
RoHS-compliant	Yes

**Connection**



**Dimensional drawing**



**Extract accessories program**

**OS106001**



High-power photoelectric sensor transmitter, Ø10mm 45long, normal power (40mW), 12°, connection to amplifier, cable tail 5m PVC, IP67, plastic+plastic

**OS106003**



High-power photoelectric sensor transmitter, Ø10mm 45long, normal power (40mW), 12°, connection to amplifier, cable tail 15m PVC, IP67, plastic+plastic

**OE106001**



High-power photoelectric sensor receiver, Ø10mm 45long, standard design, connection to amplifier, cable tail 2-pin 5m PVC, IP67, plastic+plastic

**OE106003**



High-performance photoelectric sensor receiver, Ø10mm 45long, standard design, connection to amplifier, 2-pin cable tail 15m PVC, IP67, plastic+plastic

You can find further accessories on our homepage



**Installation**

Mounting / installation may only be carried out by a qualified electrician!



**Disposal**

WEEE number according to § 6 para. 3 ElektroG: 40951076

**Safety warnings**

/ Before initial operation, please make sure to follow all safety instructions that may be provided in the product information.

/ Never use these devices in applications where the safety of a person depends on their functionality.