

## OV580080

### High performance light barriers • Amplifier

High-performance photoelectric sensor amplifier, 76x78x40mm, 24V, NO/NC, 0-10V, 11-pin plug connection, IP40, plastic



The article OV580080 is a single-channel amplifier for a light barrier. With item number OV580080, it belongs to the "amplifiers" subgroup. These amplifiers process the information they receive from their receivers and regulate the power of their transmitters accordingly. The "amplifiers" subgroup in turn is part of the "high-power light barriers" supergroup.

The high-performance light barrier systems have been specially developed for applications where conventional light barriers reach their limits. They are characterized by extreme insensitivity to dirt and a range of up to 70000mm. Their performance makes them ideal for demanding applications such as the wood and paper industry, vehicle washing systems, bulk material control, elevators, outdoor gate control and the food industry.

The amplifiers and sensors in these systems are compact, robust and easy to install. Thanks to their large angle of beam spread, they can be easily aligned even at a range of 60 m and are insensitive to vibrations and shocks. The user-friendliness is underlined by the uncomplicated handling of the devices.

**Electrical features**

Number of presets to be set	2
Number of channels	1
Number of contacts as change-over contact	1
Number of switching outputs	1
Display	LED display
Type of switching function	Change-over contact (NO/NC)
Type of alarm output	Relay contact
Type of analog output	0 - 10V
Type of electrical connection	Plug-in connection
Type of switching output	PNP/NPN
Rated switching current	100 mA
Input voltage tolerance	20 %
Setting procedure	Potentiometer
Power consumption	2 VA
Number of pins	11
Switching distance	0 - 70000 mm
Switching frequency	30 Hz
Switching function of the alarm output	Normally open contact (NO)
Switching capacity	3 VA
Switching voltage AC	230 V
Switching voltage DC	24 V
Operating voltage (DC)	19,2 - 28,8 V

**Mechanical features**

Design	Cuboid
Width	40 mm
Height	76.5 mm
Length	78.5 mm
Mounting method	Relay base
Degree of protection (IP)	IP40
Housing material	Plastic
Ambient temperature	-25 - 50 °C

**Optical features**

Range (transmitter with increased power, receiver with short design)	15
Range (transmitter with increased power, receiver with normal design)	35
Range (transmitter with maximum power, receiver with short design)	35
Range (transmitter with maximum power, receiver with normal design)	70
Range (transmitter with normal power, receiver with short design)	10
Range (transmitter with normal power, receiver with normal design)	25

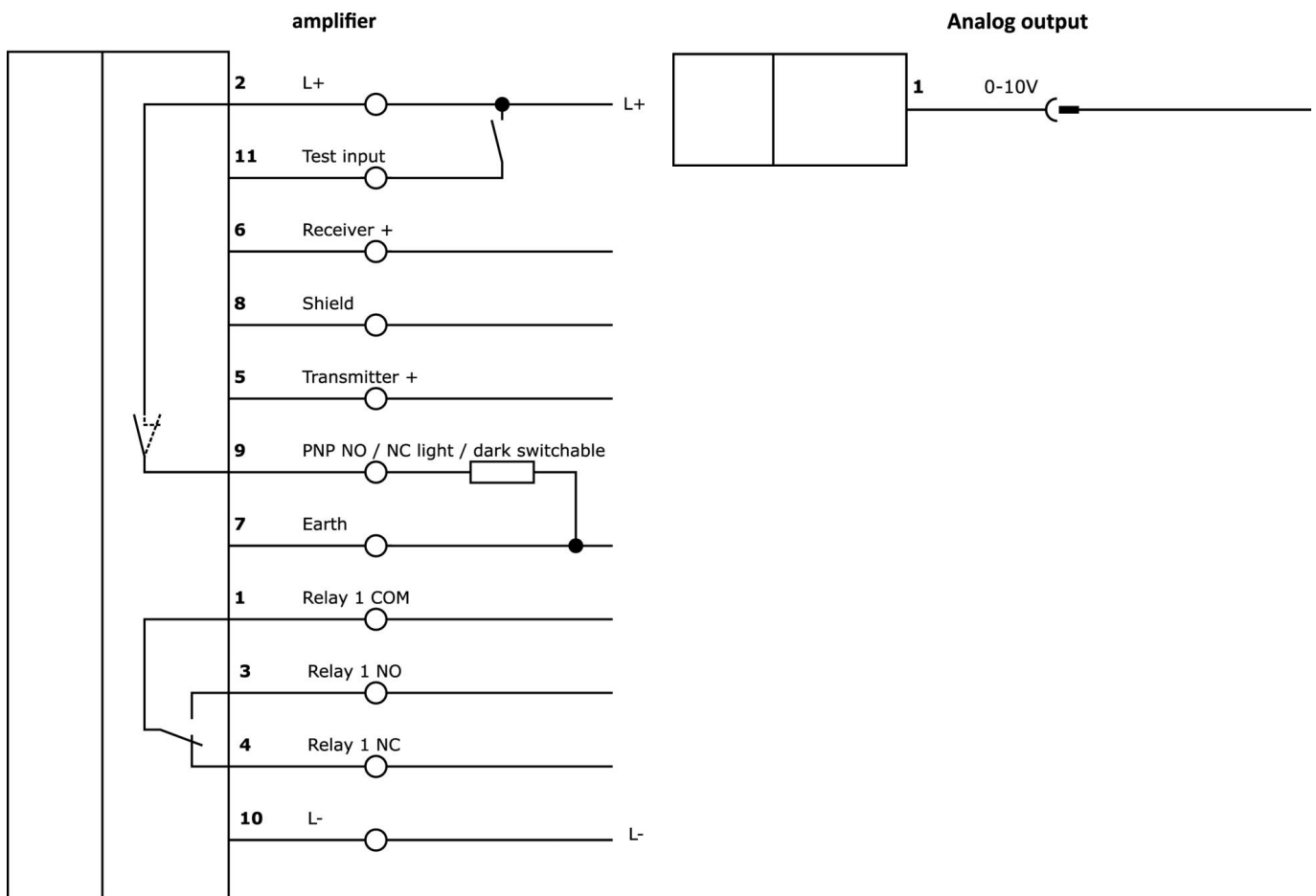
**Classification**

ETIM 8	EC001485 Isolation amplifier
--------	------------------------------

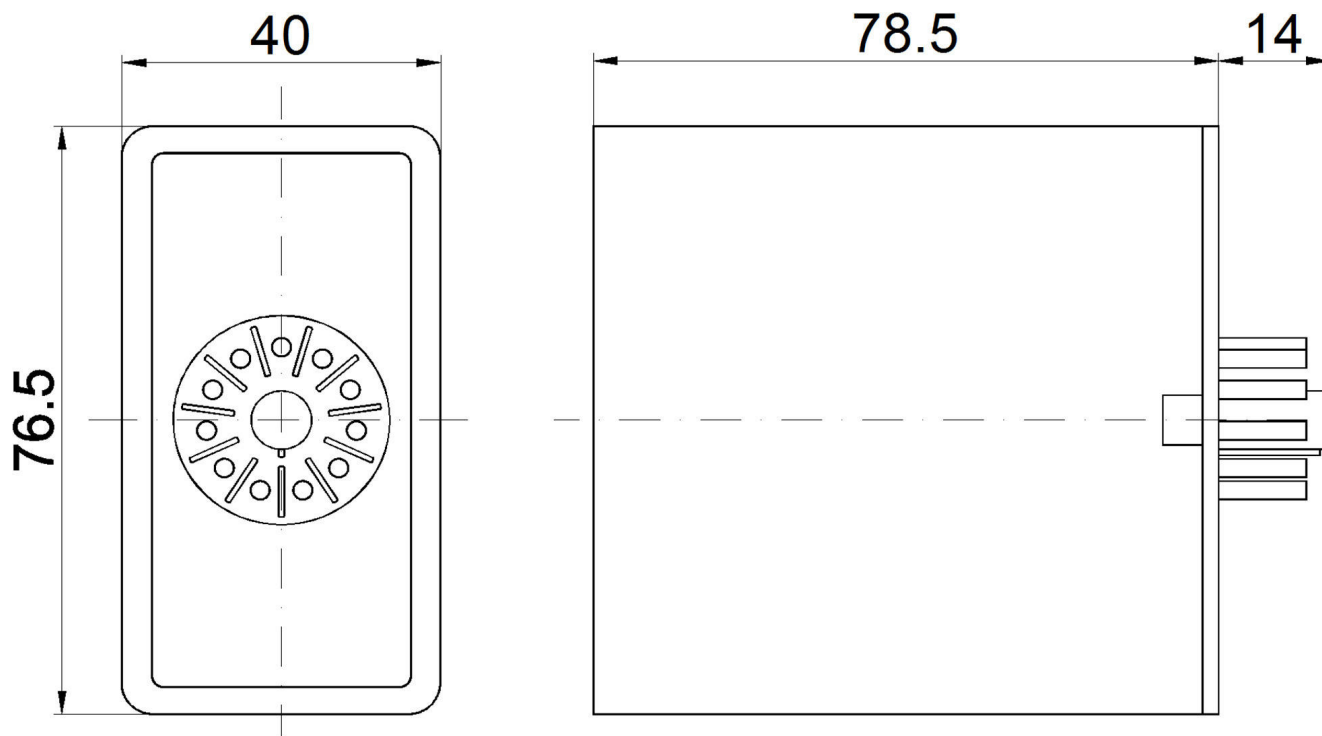
**More**

IPF Product Group	101 high performance through-beam sensors and amplifiers
packaging dimensions	185 x 100 x 85 mm
gross weight	306 g
Customs tariff number	85365019
WEEE number	40951076
Reach-compliant	Yes
RoHS-compliant	Yes

**Connection**



**Dimensional drawing**



**Extract accessories program**

**OE106001**

High-power photoelectric sensor receiver, Ø10mm 45long, standard design, connection to amplifier, cable tail 2-pin 5m PVC, IP67, plastic+plastic

**OE106003**

High-performance photoelectric sensor receiver, Ø10mm 45long, standard design, connection to amplifier, 2-pin cable tail 15m PVC, IP67, plastic+plastic

**OS106001**

High-power photoelectric sensor transmitter, Ø10mm 45long, normal power (40mW), 12°, connection to amplifier, cable tail 5m PVC, IP67, plastic+plastic

**OS106003**

High-power photoelectric sensor transmitter, Ø10mm 45long, normal power (40mW), 12°, connection to amplifier, cable tail 15m PVC, IP67, plastic+plastic

**AV000004**

accessories, Relay socket, Plug-in end socket, 27x67x38mm, 250V, Screw connection 11pin, IP20, Plastic, DIN rail (top hat rail) 35 mm

**AV000042**

Accessories for switching relays, Spring clip, Steel

You can find further accessories on our homepage



**Installation**

Mounting / installation may only be carried out by a qualified electrician!



**Disposal**

WEEE number according to § 6 para. 3 ElektroG: 40951076

**Safety warnings**

/ Before initial operation, please make sure to follow all safety instructions that may be provided in the product information.

/ Never use these devices in applications where the safety of a person depends on their functionality.