

# OV580510

## High performance light barriers • Amplifier

High-power photoelectric sensor amplifier, 76x78x40mm, 24V, PNP/NPN NO/NC, 11-pin plug connection, IP40, plastic, fault signal output



The article OV580510 is a single-channel amplifier for a light barrier from the subgroup "Amplifiers". It belongs to the "High-performance light barriers" supergroup, which was specially developed for challenging areas of application. The high-performance light barriers are characterized by extreme dirt resistance and range and are particularly suitable for applications in the wood and paper industry, vehicle washing systems, bulk material control, elevators, outdoor gate controls and the food industry.

The OV580510 amplifier can achieve a range of up to 50000mm, which ensures enormous penetration even when soiling is heavy. Chips, dust, flour, oil or dirty water are no longer an obstacle. The system consists of a transmitter, a receiver and this amplifier, ensuring optimum performance. The OV580510 amplifier is extremely user-friendly thanks to the compact design of the transmitter and receiver and the simple installation and handling of the devices.

### Electrical features

Number of presets to be set	4
Number of channels	1
Number of switching outputs	1
Display	LED display
Type of switching function	Normally closed contact/normally open contact
Type of alarm output	PNP
Type of electrical connection	Plug-in connection
Type of switching output	PNP/NPN
Rated switching current	100 mA
Input voltage tolerance	20 %
No-load current	92 mA
Power consumption	2.2 VA
Number of pins	11
Switching distance	0 - 50000 mm
Switching frequency	20 Hz
Switching function of the alarm output	Normally open contact (NO)
Switching capacity	3 VA
Switching voltage	30 V
Operating voltage (DC)	19,2 - 28,8 V
Malfunction message output	Yes
With soiling compensation	Yes

**Mechanical features**

Design	Cuboid
Width	40 mm
Height	76.5 mm
Length	78.5 mm
Mounting method	Relay base
Degree of protection (IP)	IP40
Housing material	Plastic
Ambient temperature	-25 - 50 °C

**Optical features**

Range (transmitter with increased power, receiver with short design)	10
Range (transmitter with increased power, receiver with normal design)	25
Range (transmitter with maximum power, receiver with short design)	20
Range (transmitter with maximum power, receiver with normal design)	50
Range (transmitter with normal power, receiver with short design)	7
Range (transmitter with normal power, receiver with normal design)	15

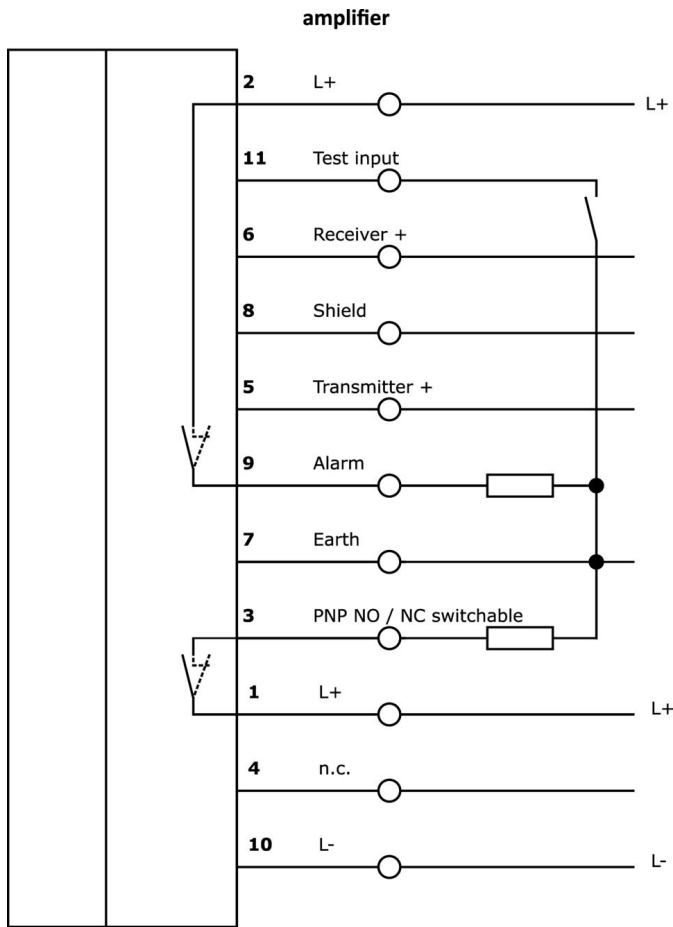
**Classification**

ETIM 8	EC001485 Isolation amplifier
--------	------------------------------

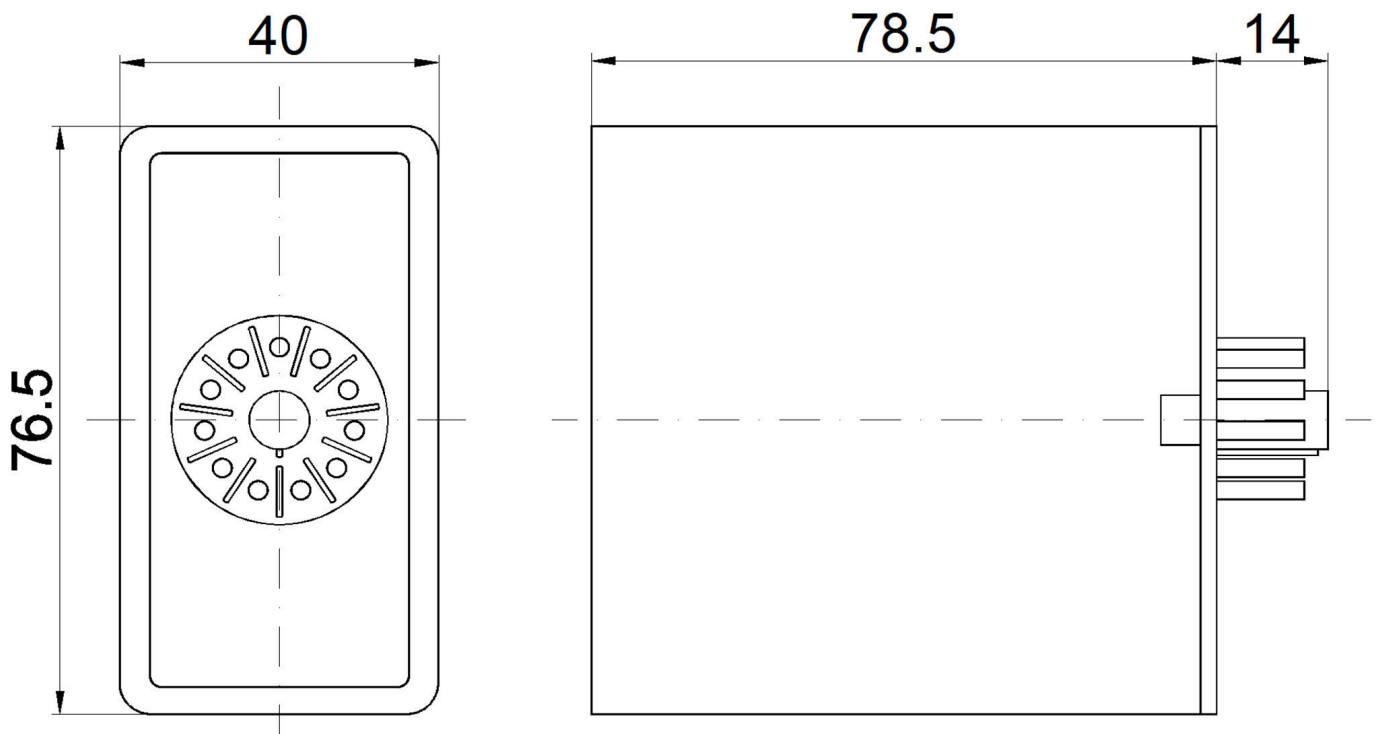
**More**

IPF Product Group	101 high performance through-beam sensors and amplifiers
packaging dimensions	120 x 80 x 45 mm
gross weight	150 g
Customs tariff number	85365019
WEEE number	40951076
Reach-compliant	Yes
RoHS-compliant	Yes

**Connection**



**Dimensional drawing**



**Extract accessories program****OE106001**

High-power photoelectric sensor receiver, Ø10mm 45long, standard design, connection to amplifier, cable tail 2-pin 5m PVC, IP67, plastic+plastic

**OE106003**

High-performance photoelectric sensor receiver, Ø10mm 45long, standard design, connection to amplifier, 2-pin cable tail 15m PVC, IP67, plastic+plastic

**AV000004**

accessories, Relay socket, Plug-in end socket, 27x67x38mm, 250V, Screw connection 11pin, IP20, Plastic, DIN rail (top hat rail) 35 mm

**AV000042**

Accessories for switching relays, Spring clip, Steel

**OS106001**

High-power photoelectric sensor transmitter, Ø10mm 45long, normal power (40mW), 12°, connection to amplifier, cable tail 5m PVC, IP67, plastic+plastic

**OS106003**

High-power photoelectric sensor transmitter, Ø10mm 45long, normal power (40mW), 12°, connection to amplifier, cable tail 15m PVC, IP67, plastic+plastic

You can find further accessories on our homepage

**Installation**

Mounting / installation may only be carried out by a qualified electrician!

**Disposal**

WEEE number according to § 6 para. 3 ElektroG: 40951076

**Safety warnings**

/ Before initial operation, please make sure to follow all safety instructions that may be provided in the product information.

/ Never use these devices in applications where the safety of a person depends on their functionality.