

OV580900

High performance light barriers • Amplifier

High-power photoelectric sensor amplifier, 76x78x40mm, 24V, PNP/NPN change-over contact (NO/NC), 11-pin plug connection, IP40, plastic



The article OV580900 is a single-channel amplifier for light barriers of the subgroup "Amplifiers". It belongs to the upper group "High-performance light barriers". These systems are optimally designed for demanding applications where conventional light barriers are not sufficient. Thanks to their extreme insensitivity to dirt and their range, they are ideal for a wide range of applications, e.g. in the wood and paper industry, vehicle washing systems, the food industry and more.

The OV580900 amplifier can achieve a range of up to 70000mm. It effectively supports communication between transmitter and receiver to ensure reliable power control. The simple installation and handling of the amplifier and sensors make them particularly user-friendly. With their large angle of beam spread, vibration protection and robustness, they are ideally suited to harsh environments.

Electrical features

Number of presets to be set	2
Number of channels	1
Number of contacts as change-over contact	1
Number of switching outputs	1
Display	LED display
Type of switching function	Change-over contact (NO/NC)
Type of electrical connection	Plug-in connection
Type of switching output	PNP/NPN
Rated switching current	5000 mA
Input voltage tolerance	20 %
Setting procedure	Potentiometer
Power consumption	2 VA
Number of pins	11
Switching distance	0 - 70000 mm
Switching frequency	18 Hz
Switching capacity	1150 VA
Switching voltage	24 V
Operating voltage (DC)	19,2 - 28,8 V

Mechanical features

Design	Cuboid
Width	40 mm
Height	76.5 mm
Length	78.5 mm
Mounting method	Relay base
Degree of protection (IP)	IP40
Housing material	Plastic
Ambient temperature	-25 - 50 °C

Optical features

Range (transmitter with increased power, receiver with short design)	30
Range (transmitter with increased power, receiver with normal design)	35
Range (transmitter with maximum power, receiver with short design)	50
Range (transmitter with maximum power, receiver with normal design)	70
Range (transmitter with normal power, receiver with short design)	20
Range (transmitter with normal power, receiver with normal design)	25

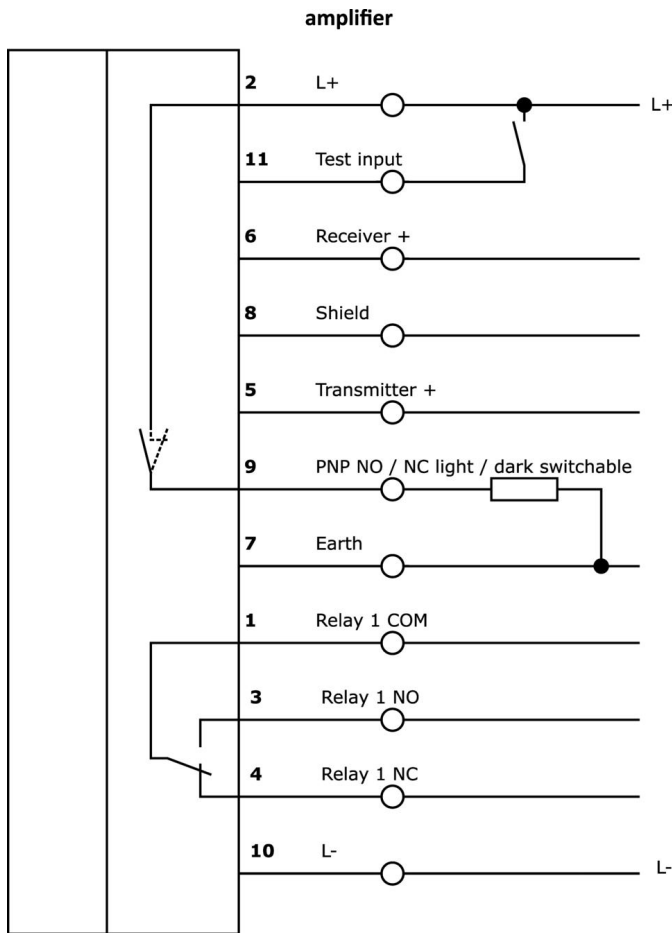
Classification

ETIM 8	EC001485 Isolation amplifier
--------	------------------------------

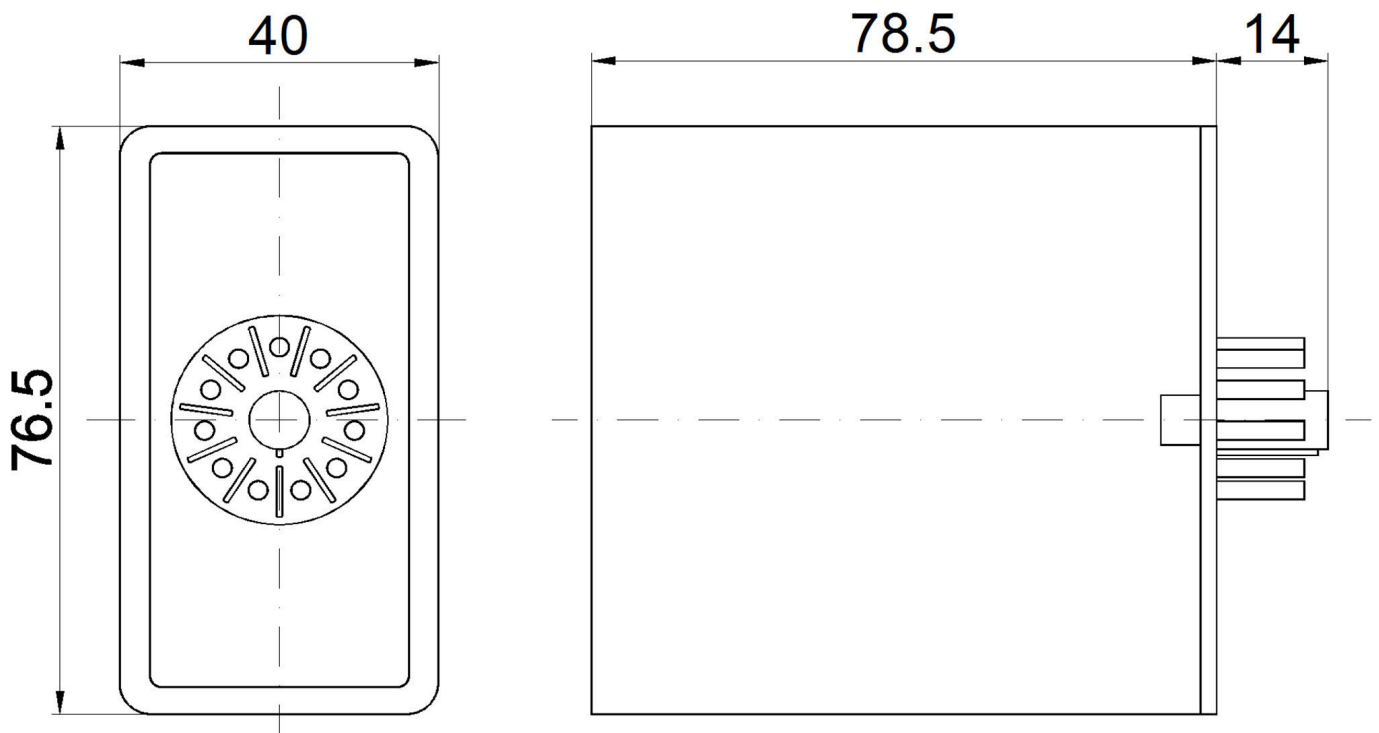
More

IPF Product Group	101 high performance through-beam sensors and amplifiers
packaging dimensions	120 x 80 x 45 mm
gross weight	160 g
Customs tariff number	85365019
WEEE number	40951076
Reach-compliant	Yes
RoHS-compliant	Yes

Connection



Dimensional drawing



Extract accessories program

OS106001



High-power photoelectric sensor transmitter, Ø10mm 45long, normal power (40mW), 12°, connection to amplifier, cable tail 5m PVC, IP67, plastic+plastic

OS106003



High-power photoelectric sensor transmitter, Ø10mm 45long, normal power (40mW), 12°, connection to amplifier, cable tail 15m PVC, IP67, plastic+plastic

AV000004



accessories, Relay socket, Plug-in end socket, 27x67x38mm, 250V, Screw connection 11pin, IP20, Plastic, DIN rail (top hat rail) 35 mm

AV000042



Accessories for switching relays, Spring clip, Steel

OE106001



High-power photoelectric sensor receiver, Ø10mm 45long, standard design, connection to amplifier, cable tail 2-pin 5m PVC, IP67, plastic+plastic

OE106003



High-performance photoelectric sensor receiver, Ø10mm 45long, standard design, connection to amplifier, 2-pin cable tail 15m PVC, IP67, plastic+plastic

You can find further accessories on our homepage



Installation

Mounting / installation may only be carried out by a qualified electrician!



Disposal

WEEE number according to § 6 para. 3 ElektroG: 40951076

Safety warnings

- / Before initial operation, please make sure to follow all safety instructions that may be provided in the product information.
- / Never use these devices in applications where the safety of a person depends on their functionality.