

## OV580905

### High performance light barriers • Amplifier

High-power photoelectric sensor amplifier, 76x78x40mm, 24V, PNP/NPN change-over contact (NO/NC), 11-pin plug connection, IP40, plastic, turn-off delay 10s



The article OV580905 is a single-channel amplifier for a light barrier from the subgroup "Amplifiers" within the super-group "High-performance light barriers". This amplifier, which processes information from the receiver and regulates the power of the transmitter, is characterized by its high range of up to 70000mm.

The high-performance light barrier systems, to which this amplifier belongs, have been specially developed for demanding applications where conventional light barriers reach their limits. They are extremely insensitive to dirt and can be used reliably even under heavy soiling conditions.

Thanks to their robust design, large angle of beam spread and easy mounting, these light barriers are ideal for applications in the wood and paper industry, vehicle washing systems, bulk material control, elevators, outdoor gate control, the food industry and other industrial environments.

The system consists of a transmitter, a receiver and an amplifier, with the OV580905 amplifier offering reliable performance and an impressive range.

**Electrical features**

Number of presets to be set	2
Number of channels	1
Number of contacts as change-over contact	1
Number of switching outputs	1
Display	LED display
Type of switching function	Change-over contact (NO/NC)
Type of electrical connection	Plug-in connection
Type of switching output	PNP/NPN
Turn-off delay	0 - 10 s
Rated switching current	5000 mA
Input voltage tolerance	20 %
Turn-on delay	0 - 10 s
Setting procedure	Potentiometer
No-load current	83 mA
Power consumption	5 VA
Number of pins	11
Switching distance	0 - 70000 mm
Switching frequency	18 Hz
Switching capacity	2 VA
Switching voltage	24 V
Switching voltage AC	230 V
Switching voltage DC	24 V
Operating voltage (DC)	19,2 - 28,8 V

**Mechanical features**

Design	Cuboid
Width	40 mm
Height	76.5 mm
Length	78.5 mm
Mounting method	Relay base
Degree of protection (IP)	IP40
Housing material	Plastic
Ambient temperature	-25 - 50 °C

**Optical features**

Range (transmitter with increased power, receiver with short design)	30
Range (transmitter with increased power, receiver with normal design)	35
Range (transmitter with maximum power, receiver with short design)	50
Range (transmitter with maximum power, receiver with normal design)	70
Range (transmitter with normal power, receiver with short design)	20
Range (transmitter with normal power, receiver with normal design)	25

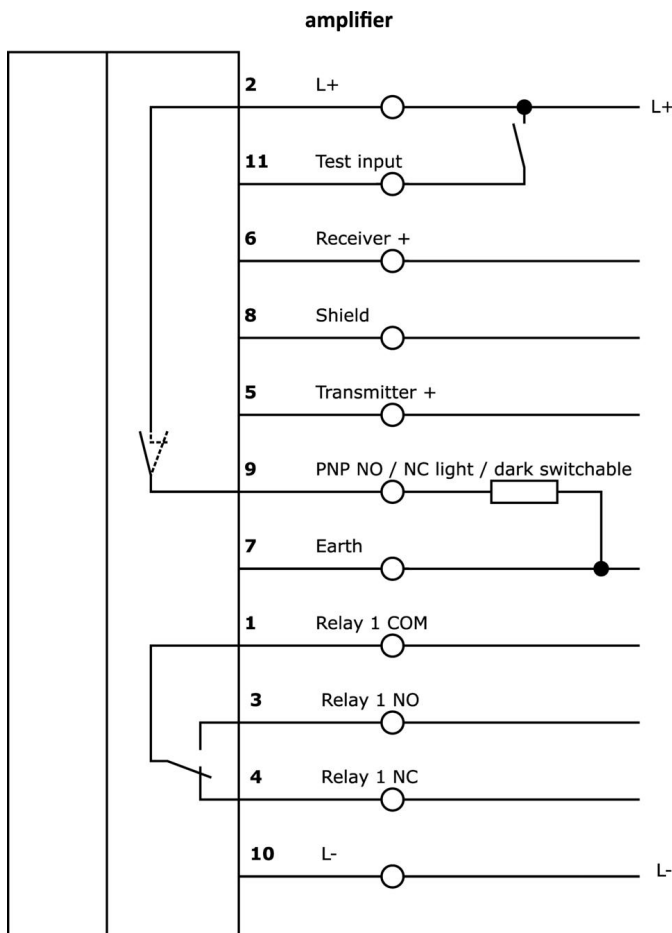
**Classification**

ETIM 8	EC001485 Isolation amplifier
--------	------------------------------

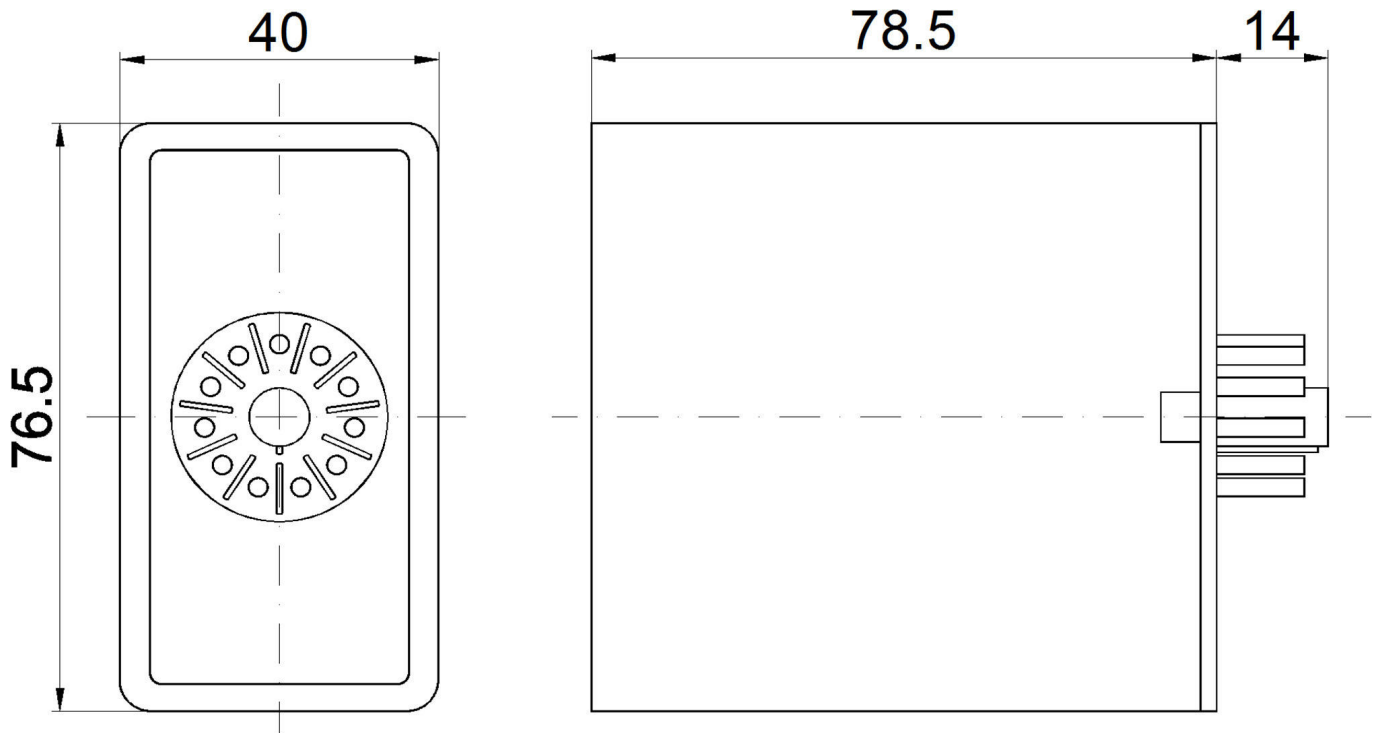
**More**

IPF Product Group	101 high performance through-beam sensors and amplifiers
packaging dimensions	120 x 80 x 45 mm
gross weight	160 g
Customs tariff number	85365019
WEEE number	40951076
Reach-compliant	Yes
RoHS-compliant	Yes

**Connection**



**Dimensional drawing**



**Extract accessories program**

**AV000004**



accessories, Relay socket, Plug-in end socket, 27x67x38mm, 250V, Screw connection 11pin, IP20, Plastic, DIN rail (top hat rail) 35 mm

**AV000042**



Accessories for switching relays, Spring clip, Steel

**OS106001**



High-power photoelectric sensor transmitter, Ø10mm 45long, normal power (40mW), 12°, connection to amplifier, cable tail 5m PVC, IP67, plastic+plastic

**OS106003**



High-power photoelectric sensor transmitter, Ø10mm 45long, normal power (40mW), 12°, connection to amplifier, cable tail 15m PVC, IP67, plastic+plastic

**OE106001**



High-power photoelectric sensor receiver, Ø10mm 45long, standard design, connection to amplifier, cable tail 2-pin 5m PVC, IP67, plastic+plastic

**OE106003**



High-performance photoelectric sensor receiver, Ø10mm 45long, standard design, connection to amplifier, 2-pin cable tail 15m PVC, IP67, plastic+plastic

You can find further accessories on our homepage



**Installation**

Mounting / installation may only be carried out by a qualified electrician!



**Disposal**

WEEE number according to § 6 para. 3 ElektroG: 40951076

**Safety warnings**

! Before initial operation, please make sure to follow all safety instructions that may be provided in the product information.

! Never use these devices in applications where the safety of a person depends on their functionality.