

OV580907

High performance light barriers • Amplifier

High-performance photoelectric sensor amplifier, 76x78x40mm, 24V, PNP/NPN change-over contact (NO/NC), 11-pin plug connection, IP40, plastic, fault signal output, turn-off delay 10s



The article OV580907 is a single-channel amplifier for a light barrier from the subgroup "amplifiers", which in turn is part of the super-group "high-performance light barriers". These light barriers are characterized by their extreme insensitivity to dirt and long range.

The OV580907 amplifier can achieve a range of up to 70000mm. It processes the information it receives from its receiver and regulates the power of its transmitter accordingly. With its simple installation and uncomplicated handling, it is particularly user-friendly.

The OV580907 amplifier is particularly suitable for applications in areas such as the wood and paper industry, vehicle washing systems, bulk material control, elevators, outdoor gate controls and the food industry. Thanks to its properties, it is reliable even when soiling is heavy and impresses with its enormous penetration power.

Electrical features

Number of presets to be set	2
Number of channels	1
Number of contacts as change-over contact	1
Number of switching outputs	1
Display	LED display
Type of switching function	Change-over contact (NO/NC)
Type of alarm output	PNP/NPN
Type of electrical connection	Plug-in connection
Type of switching output	PNP/NPN
Turn-off delay	0 - 10 s
Rated switching current	5000 mA
Input voltage tolerance	20 %
Turn-on delay	0 - 10 s
Setting procedure	Potentiometer
No-load current	83 mA
Power consumption	2 VA
Number of pins	11
Switching distance	0 - 70000 mm
Switching frequency	18 Hz
Switching function of the alarm output	Normally open contact (NO)
Switching capacity	120 VA
Switching voltage	24 V
Switching voltage AC	230 V
Switching voltage DC	24 V
Operating voltage (DC)	19,2 - 28,8 V
Malfunction message output	Yes

Mechanical features

Design	Cuboid
Width	40 mm
Height	76.5 mm
Length	78.5 mm
Mounting method	Relay base
Degree of protection (IP)	IP40
Housing material	Plastic
Ambient temperature	-25 - 50 °C

Optical features

Range (transmitter with increased power, receiver with short design)	30
Range (transmitter with increased power, receiver with normal design)	35
Range (transmitter with maximum power, receiver with short design)	50
Range (transmitter with maximum power, receiver with normal design)	70
Range (transmitter with normal power, receiver with short design)	20
Range (transmitter with normal power, receiver with normal design)	25

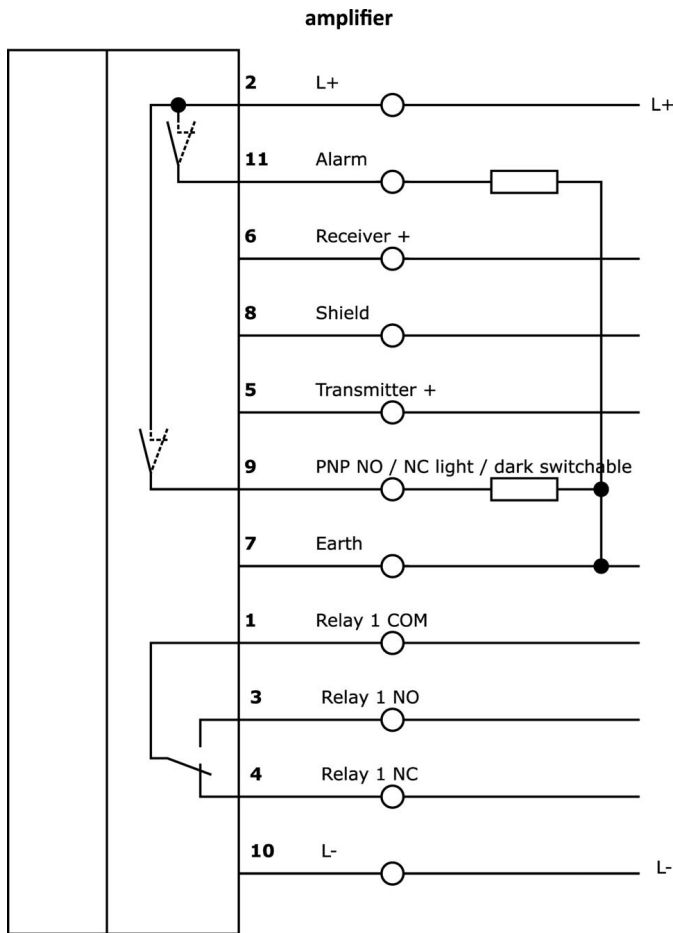
Classification

ETIM 8	EC001485 Isolation amplifier
--------	------------------------------

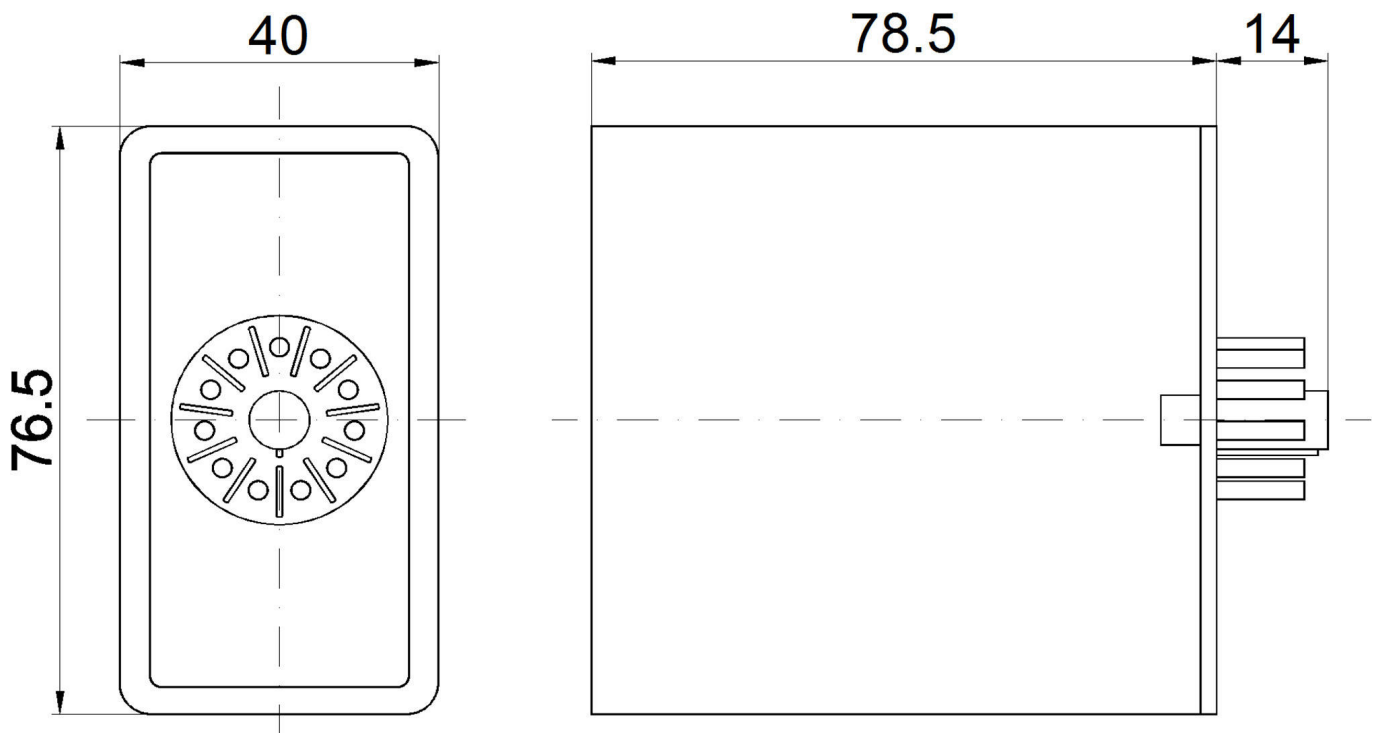
More

IPF Product Group	101 high performance through-beam sensors and amplifiers
packaging dimensions	120 x 80 x 45 mm
gross weight	160 g
Customs tariff number	85365019
WEEE number	40951076
Reach-compliant	Yes
RoHS-compliant	Yes

Connection



Dimensional drawing



Extract accessories program**AV000004**

accessories, Relay socket, Plug-in end socket, 27x67x38mm, 250V, Screw connection 11pin, IP20, Plastic, DIN rail (top hat rail) 35 mm

AV000042

Accessories for switching relays, Spring clip, Steel

OE106001

High-power photoelectric sensor receiver, Ø10mm 45long, standard design, connection to amplifier, cable tail 2-pin 5m PVC, IP67, plastic+plastic

OE106003

High-performance photoelectric sensor receiver, Ø10mm 45long, standard design, connection to amplifier, 2-pin cable tail 15m PVC, IP67, plastic+plastic

OS106001

High-power photoelectric sensor transmitter, Ø10mm 45long, normal power (40mW), 12°, connection to amplifier, cable tail 5m PVC, IP67, plastic+plastic

OS106003

High-power photoelectric sensor transmitter, Ø10mm 45long, normal power (40mW), 12°, connection to amplifier, cable tail 15m PVC, IP67, plastic+plastic

You can find further accessories on our homepage

**Installation**

Mounting / installation may only be carried out by a qualified electrician!

**Disposal**

WEEE number according to § 6 para. 3 ElektroG: 40951076

Safety warnings

/ Before initial operation, please make sure to follow all safety instructions that may be provided in the product information.

/ Never use these devices in applications where the safety of a person depends on their functionality.