

# OV580910

## High performance light barriers • Amplifier

High-performance photoelectric sensor amplifier, 76x78x40mm, 24V, change-over contact (NO/NC), 11-pin plug connection, IP40, plastic, fault signal output



The article OV580910 is an amplifier that belongs to the subgroup "amplifiers", which is an important component of the super-group "high-performance light barriers". These light barrier systems have been developed for demanding applications where conventional solutions are not sufficient. They are characterized by extreme insensitivity to dirt and a range of up to 60m. The OV580910 amplifier is a single-channel amplifier for light barriers with an impressive range of up to 50000mm. Its high performance and easy mounting make it ideal for applications in the wood and paper industry, vehicle washing systems, bulk material control, elevators, outdoor gate control and the food industry. Its robustness and ease of use make it a reliable solution for demanding industrial applications.

### Electrical features

Number of presets to be set	4
Number of channels	1
Number of contacts as change-over contact	1
Number of switching outputs	1
Display	LED display
Type of switching function	Change-over contact (NO/NC)
Type of alarm output	PNP
Type of electrical connection	Plug-in connection
Type of switching output	Relay contact
Rated switching current	5000 mA
Input voltage tolerance	20 %
No-load current	92 mA
Power consumption	2.2 VA
Number of pins	11
Switching distance	0 - 50000 mm
Switching frequency	18 Hz
Switching function of the alarm output	Normally open contact (NO)
Switching capacity	120 VA
Switching voltage	24 V
Switching voltage AC	230 V
Switching voltage DC	24 V
Operating voltage (DC)	19,2 - 28,8 V
Malfunction message output	Yes
With soiling compensation	Yes

**Mechanical features**

Design	Cuboid
Width	40 mm
Height	76.5 mm
Length	78.5 mm
Mounting method	Relay base
Degree of protection (IP)	IP40
Housing material	Plastic
Ambient temperature	-25 - 50 °C

**Optical features**

Range (transmitter with increased power, receiver with short design)	10
Range (transmitter with increased power, receiver with normal design)	25
Range (transmitter with maximum power, receiver with short design)	20
Range (transmitter with maximum power, receiver with normal design)	50
Range (transmitter with normal power, receiver with short design)	7
Range (transmitter with normal power, receiver with normal design)	15

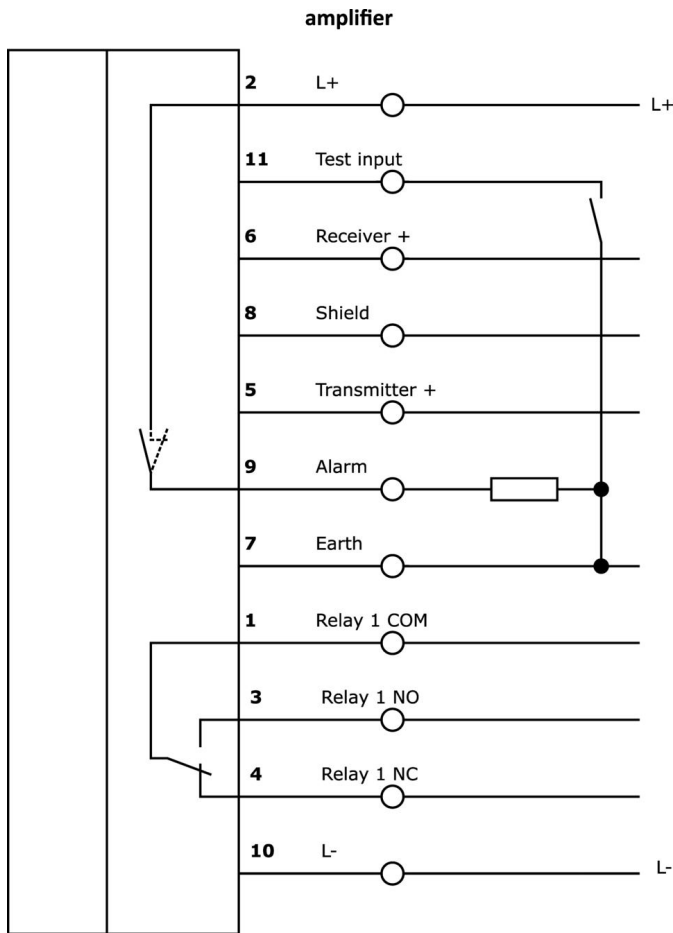
**Classification**

ETIM 8	EC001485 Isolation amplifier
--------	------------------------------

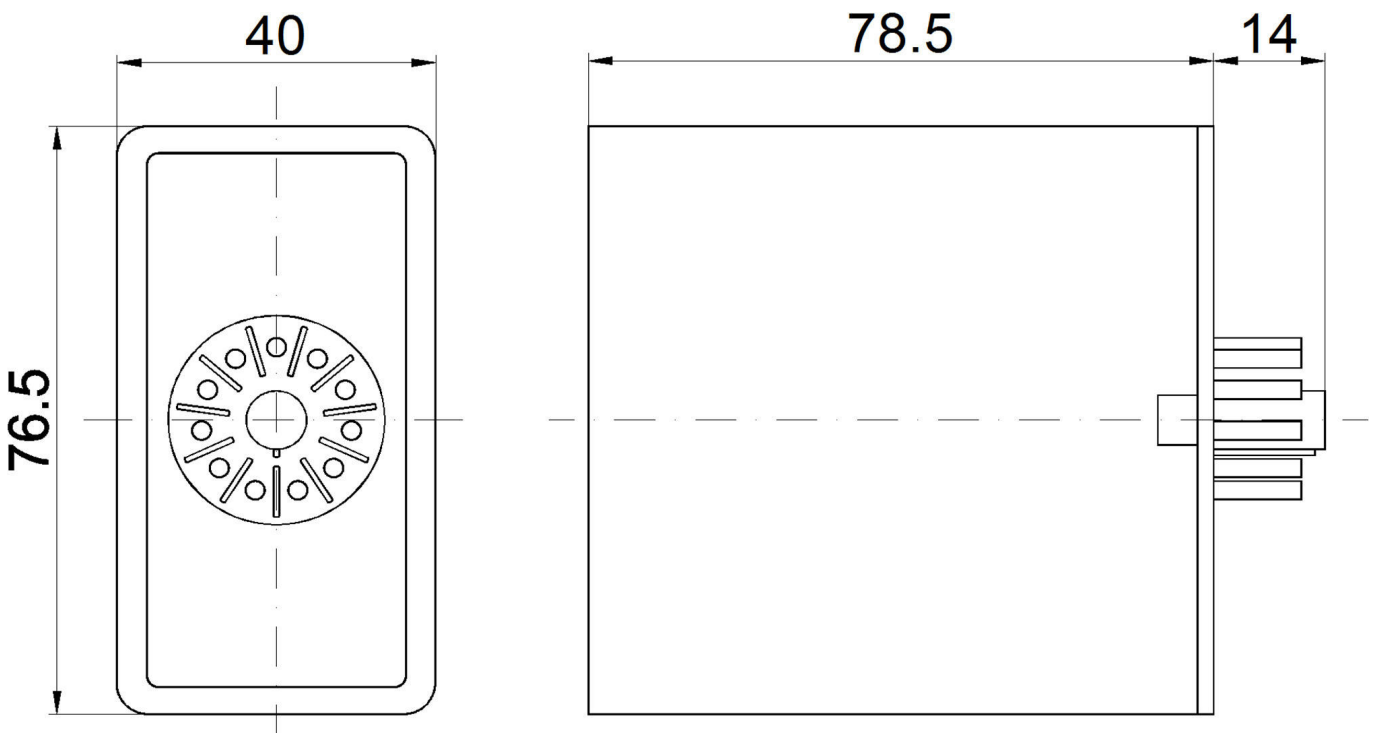
**More**

IPF Product Group	101 high performance through-beam sensors and amplifiers
packaging dimensions	120 x 80 x 45 mm
gross weight	160 g
Customs tariff number	85365019
WEEE number	40951076
Reach-compliant	Yes
RoHS-compliant	Yes

**Connection**



**Dimensional drawing**



**Extract accessories program**

**OE106001**



High-power photoelectric sensor receiver, Ø10mm 45long, standard design, connection to amplifier, cable tail 2-pin 5m PVC, IP67, plastic+plastic

**OE106003**



High-performance photoelectric sensor receiver, Ø10mm 45long, standard design, connection to amplifier, 2-pin cable tail 15m PVC, IP67, plastic+plastic

**OS106001**



High-power photoelectric sensor transmitter, Ø10mm 45long, normal power (40mW), 12°, connection to amplifier, cable tail 5m PVC, IP67, plastic+plastic

**OS106003**



High-power photoelectric sensor transmitter, Ø10mm 45long, normal power (40mW), 12°, connection to amplifier, cable tail 15m PVC, IP67, plastic+plastic

**AV000004**



accessories, Relay socket, Plug-in end socket, 27x67x38mm, 250V, Screw connection 11pin, IP20, Plastic, DIN rail (top hat rail) 35 mm

**AV000042**



Accessories for switching relays, Spring clip, Steel

You can find further accessories on our homepage



**Installation**

Mounting / installation may only be carried out by a qualified electrician!



**Disposal**

WEEE number according to § 6 para. 3 ElektroG: 40951076

**Safety warnings**

/ Before initial operation, please make sure to follow all safety instructions that may be provided in the product information.

/ Never use these devices in applications where the safety of a person depends on their functionality.