

OV580915

High performance light barriers • Amplifier

High-performance photoelectric sensor amplifier, 76x78x40mm, 24V, change-over contact (NO/NC), 11-pin plug connection, IP40, plastic, fault signal output, turn-off delay 10s



The article OV580915 is a single-channel amplifier for a light barrier from the subgroup "Amplifiers" of the supergroup "High-power light barriers". This amplifier, which processes information from its receiver, regulates the power of its transmitter according to the parameters. With an impressive range of up to 50000mm, the OV580915 amplifier is particularly suitable for demanding applications. Due to its extreme dirt resistance and high performance, it can be used in various industries such as the wood and paper industry, vehicle washing systems, the food industry and others. The simple installation and handling underline the high user-friendliness of this amplifier.

Electrical features

Number of presets to be set	4
Number of channels	1
Number of contacts as change-over contact	1
Number of switching outputs	1
Display	LED display
Type of switching function	Change-over contact (NO/NC)
Type of alarm output	PNP
Type of electrical connection	Plug-in connection
Type of switching output	Relay contact
Turn-off delay	0 - 10 s
Rated switching current	5000 mA
Input voltage tolerance	20 %
Turn-on delay	0 - 10 s
No-load current	92 mA
Power consumption	2.2 VA
Number of pins	11
Switching distance	0 - 50000 mm
Switching frequency	18 Hz
Switching function of the alarm output	Normally open contact (NO)
Switching capacity	120 VA
Switching voltage	24 V
Switching voltage AC	230 V
Switching voltage DC	24 V
Operating voltage (DC)	19,2 - 28,8 V
Malfunction message output	Yes
With soiling compensation	Yes
ardSOCA_ElektrischerAnschluss	11-pin plug connection
ardSOCA_Betriebsspannung	19-29VAC(50Hz)

Mechanical features

Design	Cuboid
Width	40 mm
Height	76.5 mm
Length	78.5 mm
Mounting method	Relay base
Degree of protection (IP)	IP40
Housing material	Plastic
Ambient temperature	-25 - 50 °C
ardSOCA_Abmessungen	78.5x40x76.5mm

Optical features

Range (transmitter with increased power, receiver with short design)	10
Range (transmitter with increased power, receiver with normal design)	25
Range (transmitter with maximum power, receiver with short design)	20
Range (transmitter with maximum power, receiver with normal design)	50
Range (transmitter with normal power, receiver with short design)	7
Range (transmitter with normal power, receiver with normal design)	15

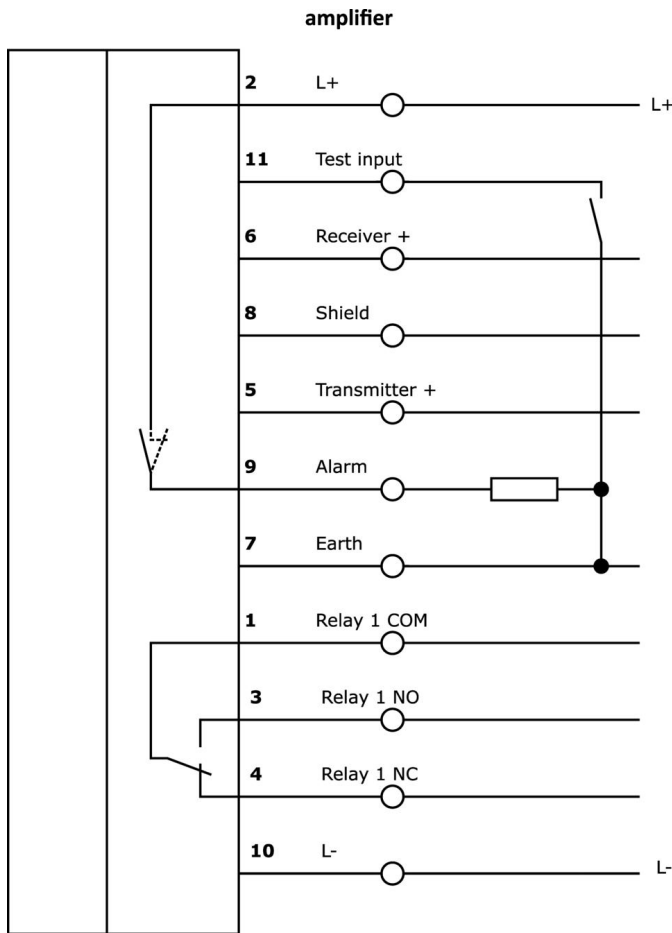
Classification

ETIM 8	EC001485 Isolation amplifier
--------	------------------------------

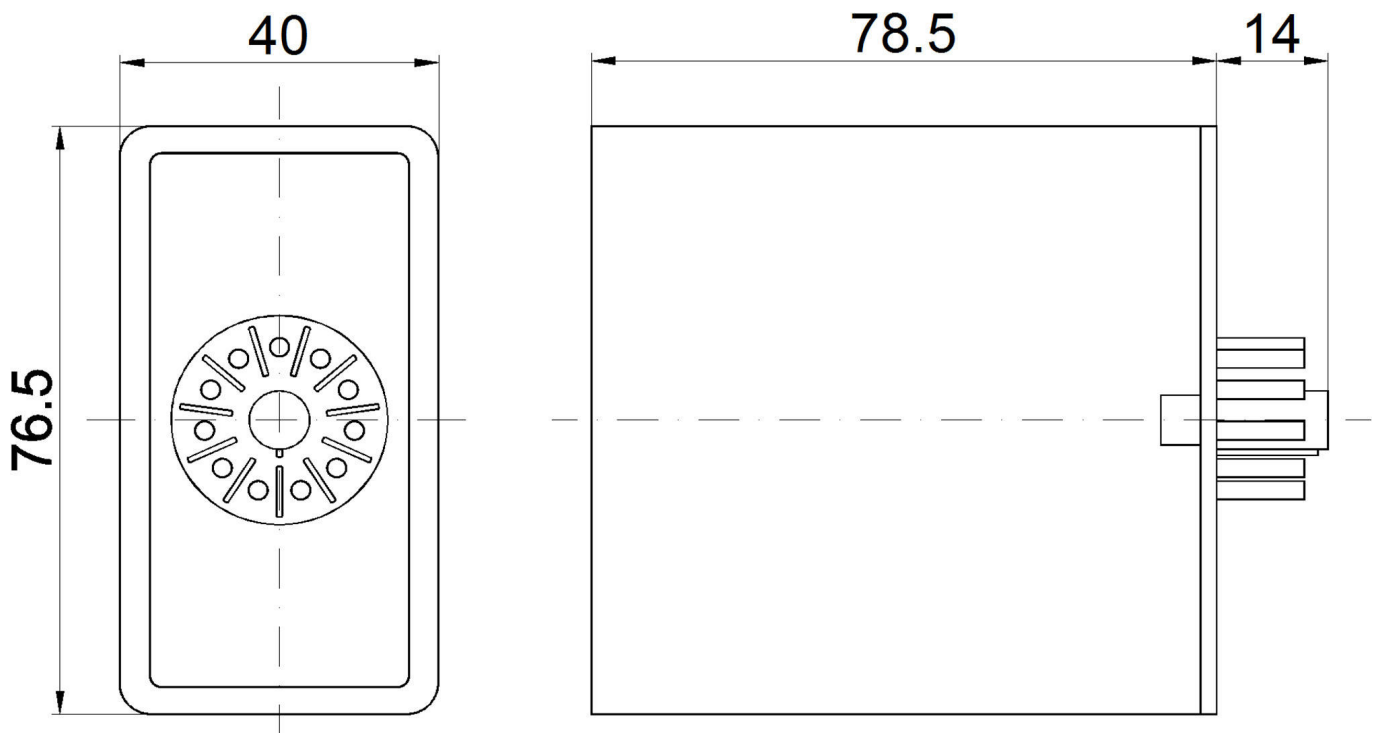
More

IPF Product Group	101 high performance through-beam sensors and amplifiers
packaging dimensions	125 x 70 x 40 mm
gross weight	160 g
Customs tariff number	85365019
WEEE number	40951076
Reach-compliant	Yes
RoHS-compliant	Yes

Connection



Dimensional drawing



Extract accessories program

AV000004



accessories, Relay socket, Plug-in end socket, 27x67x38mm, 250V, Screw connection 11pin, IP20, Plastic, DIN rail (top hat rail) 35 mm

AV000042



Accessories for switching relays, Spring clip, Steel

OS106001



High-power photoelectric sensor transmitter, Ø10mm 45long, normal power (40mW), 12°, connection to amplifier, cable tail 5m PVC, IP67, plastic+plastic

OS106003



High-power photoelectric sensor transmitter, Ø10mm 45long, normal power (40mW), 12°, connection to amplifier, cable tail 15m PVC, IP67, plastic+plastic

OE106001



High-power photoelectric sensor receiver, Ø10mm 45long, standard design, connection to amplifier, cable tail 2-pin 5m PVC, IP67, plastic+plastic

OE106003



High-performance photoelectric sensor receiver, Ø10mm 45long, standard design, connection to amplifier, 2-pin cable tail 15m PVC, IP67, plastic+plastic

You can find further accessories on our homepage



Installation

Mounting / installation may only be carried out by a qualified electrician!



Disposal

WEEE number according to § 6 para. 3 ElektroG: 40951076

Safety warnings

/ Before initial operation, please make sure to follow all safety instructions that may be provided in the product information.

/ Never use these devices in applications where the safety of a person depends on their functionality.