

# OV584901

## High performance light barriers • Amplifier

High-power photoelectric sensor amplifier, 76x78x40mm, 115V AC, PNP/NPN change-over contact (NO/NC), 11-pin plug connection, IP40, plastic



The article with the number "OV584901" is a single-channel amplifier for a light barrier. The amplifier belongs to the "amplifiers" subgroup, which is part of the "high-power light barriers" supergroup. The high-performance light barriers have been specially developed for applications where conventional light barriers reach their limits. They are characterized by their extreme insensitivity to dirt and long range, which makes them ideal for demanding applications.

The OV584901 amplifier processes the information it receives from the receiver and regulates the power of the transmitter accordingly. The amplifier is easy to install and handle, which increases user-friendliness. The range of the OV584901 amplifier is up to 60m and ensures high penetration even in heavy soiling. It is particularly suitable for use in areas such as the wood and paper industry, vehicle washing facilities, the food industry and other demanding environments.

Overall, the OV584901 amplifier offers reliable performance and is an important component for high-performance light barrier systems in various industrial sectors.

### Electrical features

Number of presets to be set	2
Number of channels	1
Number of contacts as change-over contact	1
Number of switching outputs	1
Display	LED display
Type of switching function	Change-over contact (NO/NC)
Type of electrical connection	Plug-in connection
Type of switching output	PNP/NPN
Rated switching current	5000 mA
Input voltage tolerance	10 %
Setting procedure	Potentiometer
No-load current	26 mA
Power consumption	5 VA
Number of pins	11
Switching frequency	18 Hz
Switching voltage	115 V
Switching voltage AC	230 V
Switching voltage DC	24 V
Operating voltage (AC 50Hz)	103,5 - 126,5 V

**Mechanical features**

Design	Cuboid
Width	40 mm
Height	76.5 mm
Length	78.5 mm
Mounting method	Relay base
Degree of protection (IP)	IP40
Housing material	Plastic
Ambient temperature	-25 - 60 °C

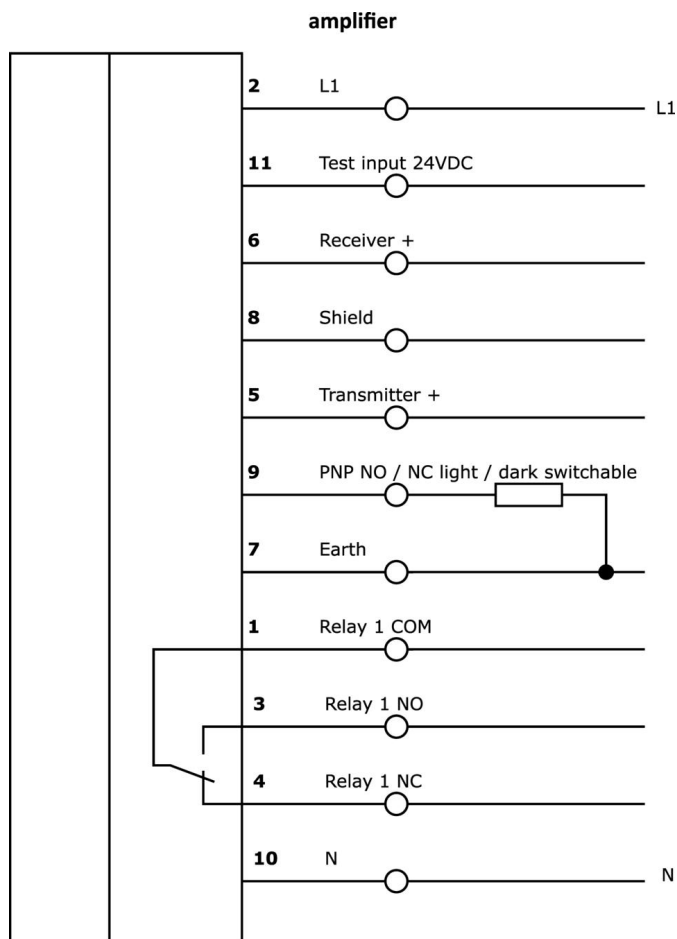
**Classification**

ETIM 8	EC001485 Isolation amplifier
--------	------------------------------

**More**

IPF Product Group	101 high performance through-beam sensors and amplifiers
packaging dimensions	120 x 80 x 45 mm
gross weight	250 g
Customs tariff number	85365080
WEEE number	40951076
Reach-compliant	Yes
RoHS-compliant	Yes

**Connection**



**Extract accessories program**

**AV000004**



accessories, Relay socket, Plug-in end socket, 27x67x38mm, 250V, Screw connection 11pin, IP20, Plastic, DIN rail (top hat rail) 35 mm

**AV000042**



Accessories for switching relays, Spring clip, Steel

**OS106001**



High-power photoelectric sensor transmitter, Ø10mm 45long, normal power (40mW), 12°, connection to amplifier, cable tail 5m PVC, IP67, plastic+plastic

**OS106003**



High-power photoelectric sensor transmitter, Ø10mm 45long, normal power (40mW), 12°, connection to amplifier, cable tail 15m PVC, IP67, plastic+plastic

**OE106001**



High-power photoelectric sensor receiver, Ø10mm 45long, standard design, connection to amplifier, cable tail 2-pin 5m PVC, IP67, plastic+plastic

**OE106003**



High-performance photoelectric sensor receiver, Ø10mm 45long, standard design, connection to amplifier, 2-pin cable tail 15m PVC, IP67, plastic+plastic

You can find further accessories on our homepage



**Installation**

Mounting / installation may only be carried out by a qualified electrician!



**Disposal**

WEEE number according to § 6 para. 3 ElektroG: 40951076

---

**Safety warnings**

- / Before initial operation, please make sure to follow all safety instructions that may be provided in the product information.
- / Never use these devices in applications where the safety of a person depends on their functionality.