

OV584905

High performance light barriers • Amplifier

High-power photoelectric sensor amplifier, 76x78x40mm, 230V AC, change-over contact (NO/NC), plug connection 11-pin, IP40, plastic, turn-off delay 10s



The article OV584905 is a single-channel amplifier for a light barrier from the subgroup "Amplifiers", which is part of the super-group "High-power light barriers". The amplifier processes the information it receives from its receiver and controls the power of its transmitter accordingly. It can achieve a range of up to 70000mm. This amplifier is particularly suitable for demanding applications where conventional light barriers reach their limits. Its robustness and resistance to dirt make it ideal for use in the wood and paper industry, vehicle washing systems, for bulk material control, in elevators, for outdoor gate control, in the food industry and other areas. Its simple installation and ease of use make it a practical solution for a wide range of industrial applications.

Electrical features

Number of presets to be set	2
Number of channels	1
Number of contacts as change-over contact	1
Number of switching outputs	1
Display	LED display
Type of switching function	Change-over contact (NO/NC)
Type of electrical connection	Plug-in connection
Type of switching output	Relay contact
Turn-off delay	0 - 10 s
Rated switching current	5000 mA
Input voltage tolerance	10 %
Turn-on delay	0 - 10 s
Setting procedure	Potentiometer
No-load current	18 mA
Power consumption	4.2 VA
Number of pins	11
Switching distance	0 - 70000 mm
Switching frequency	12 Hz
Switching capacity	120 VA
Switching voltage	230 V
Switching voltage AC	230 V
Switching voltage DC	24 V
Operating voltage (AC 50Hz)	207 - 253 V

Mechanical features

Design	Cuboid
Width	40 mm
Height	76.5 mm
Length	78.5 mm
Mounting method	Relay base
Degree of protection (IP)	IP40
Housing material	Plastic
Ambient temperature	-25 - 50 °C

Optical features

Range (transmitter with increased power, receiver with short design)	30
Range (transmitter with increased power, receiver with normal design)	35
Range (transmitter with maximum power, receiver with short design)	50
Range (transmitter with maximum power, receiver with normal design)	70
Range (transmitter with normal power, receiver with short design)	20
Range (transmitter with normal power, receiver with normal design)	25

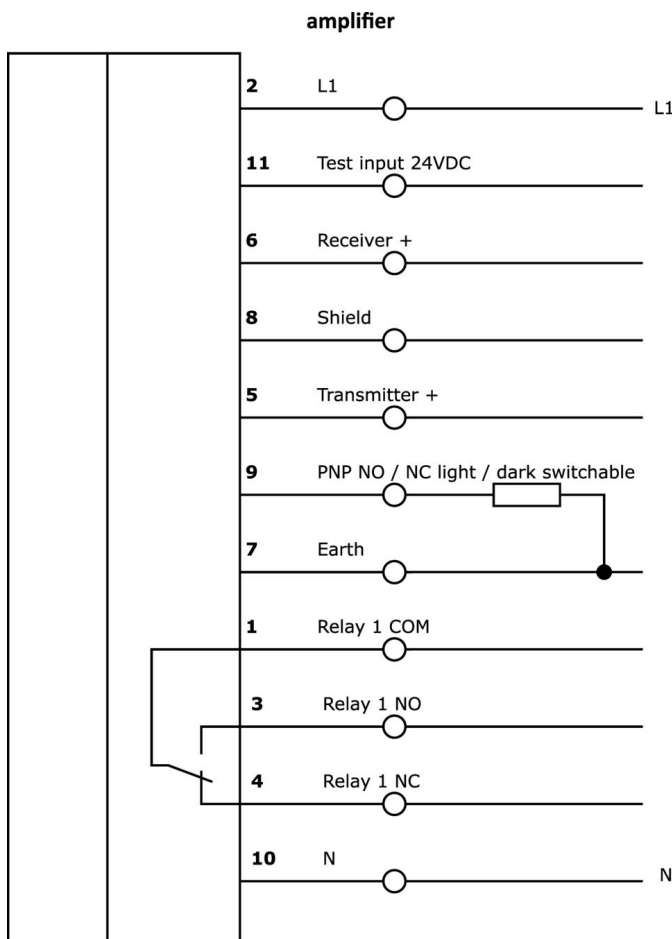
Classification

ETIM 8	EC001485 Isolation amplifier
--------	------------------------------

More

IPF Product Group	101 high performance through-beam sensors and amplifiers
packaging dimensions	120 x 83 x 47 mm
gross weight	250 g
Customs tariff number	85365080
WEEE number	40951076
Reach-compliant	Yes
RoHS-compliant	Yes

Connection



Extract accessories program

OE106001



High-power photoelectric sensor receiver, Ø10mm 45long, standard design, connection to amplifier, cable tail 2-pin 5m PVC, IP67, plastic+plastic

OE106003



High-performance photoelectric sensor receiver, Ø10mm 45long, standard design, connection to amplifier, 2-pin cable tail 15m PVC, IP67, plastic+plastic

OS106001



High-power photoelectric sensor transmitter, Ø10mm 45long, normal power (40mW), 12°, connection to amplifier, cable tail 5m PVC, IP67, plastic+plastic

OS106003



High-power photoelectric sensor transmitter, Ø10mm 45long, normal power (40mW), 12°, connection to amplifier, cable tail 15m PVC, IP67, plastic+plastic

AV000004



accessories, Relay socket, Plug-in end socket, 27x67x38mm, 250V, Screw connection 11pin, IP20, Plastic, DIN rail (top hat rail) 35 mm

AV000042



Accessories for switching relays, Spring clip, Steel

You can find further accessories on our homepage



Installation

Mounting / installation may only be carried out by a qualified electrician!



Disposal

WEEE number according to § 6 para. 3 ElektroG: 40951076

Safety warnings

- / Before initial operation, please make sure to follow all safety instructions that may be provided in the product information.
- / Never use these devices in applications where the safety of a person depends on their functionality.