

## OV584915

### High performance light barriers • Amplifier

High-power photoelectric sensor amplifier, 76x78x40mm, 230V AC, change-over contact (NO/NC), 11-pin plug connection, IP40, plastic, turn-off delay 10s



The article with the number "OV584915" is a single-channel amplifier for a light barrier. It belongs to the "amplifier" subgroup, which is a straight element in controlling the power of transmitters. These amplifiers, such as the OV584915, process the information they receive from the receivers and control the power of the transmitters accordingly.

The "amplifiers" subgroup is in turn part of the "high-power light barriers" supergroup. These special systems, which include the OV584915 amplifier, have been developed for demanding applications where conventional light barriers reach their limits. They are characterized by their extreme insensitivity to dirt and long range, making them ideal for demanding applications where compromises were previously necessary.

The OV584915 amplifier can achieve a range of up to 50000mm. Its reliability and ease of use make it ideal for use in various industries such as the wood and paper industry, vehicle washing systems, bulk material control, elevators, outdoor gate control, the food industry and many more.

The simple installation and handling of this amplifier as well as its robustness make it a reliable component for demanding automation solutions in industry and trade.

**Electrical features**

Number of presets to be set	4
Number of channels	1
Number of contacts as change-over contact	1
Number of switching outputs	1
Display	LED display
Type of switching function	Change-over contact (NO/NC)
Type of alarm output	PNP
Type of electrical connection	Plug-in connection
Type of switching output	Relay contact
Turn-off delay	0 - 10 s
Rated switching current	5000 mA
Input voltage tolerance	10 %
Turn-on delay	0 - 10 s
No-load current	21 mA
Power consumption	4.8 VA
Number of pins	11
Switching distance	0 - 50000 mm
Switching frequency	11 Hz
Switching function of the alarm output	Normally open contact (NO)
Switching capacity	120 VA
Switching voltage	230 V
Switching voltage AC	230 V
Switching voltage DC	24 V
Operating voltage (AC 50Hz)	207 - 253 V
With soiling compensation	Yes

**Mechanical features**

Design	Cuboid
Width	40 mm
Height	76.5 mm
Length	78.5 mm
Mounting method	Relay base
Degree of protection (IP)	IP40
Housing material	Plastic
Ambient temperature	-25 - 50 °C

**Optical features**

Range (transmitter with increased power, receiver with short design)	10
Range (transmitter with increased power, receiver with normal design)	25
Range (transmitter with maximum power, receiver with short design)	20
Range (transmitter with maximum power, receiver with normal design)	50
Range (transmitter with normal power, receiver with short design)	7
Range (transmitter with normal power, receiver with normal design)	15

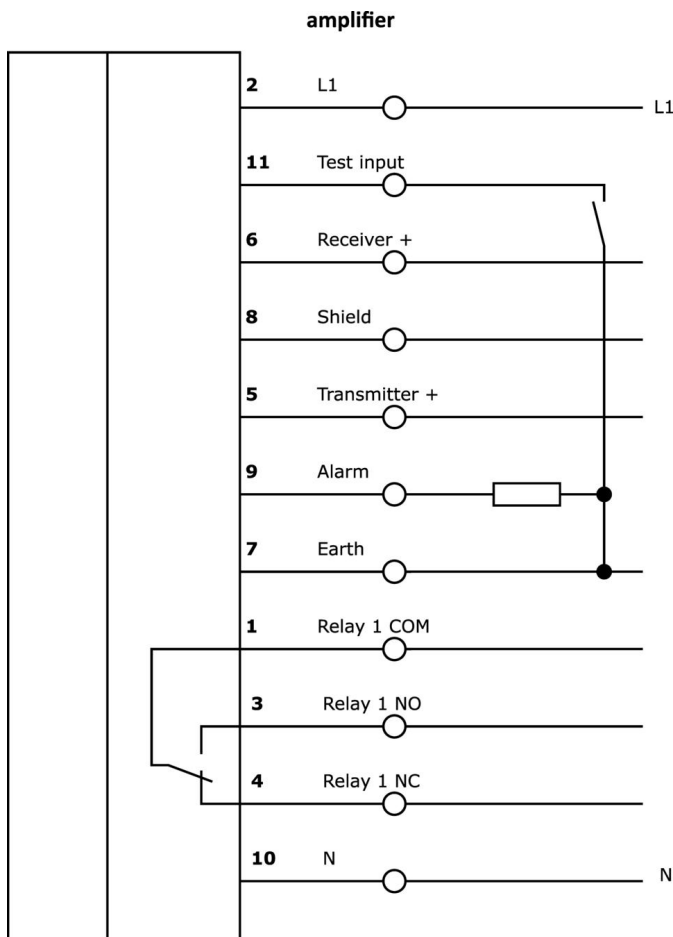
**Classification**

ETIM 8	EC001485 Isolation amplifier
--------	------------------------------

**More**

IPF Product Group	101 high performance through-beam sensors and amplifiers
packaging dimensions	
gross weight	260 g
Customs tariff number	85365080
WEEE number	40951076
Reach-compliant	Yes
RoHS-compliant	Yes

**Connection**



**Extract accessories program**

**AV000004**



accessories, Relay socket, Plug-in end socket, 27x67x38mm, 250V, Screw connection 11pin, IP20, Plastic, DIN rail (top hat rail) 35 mm

**AV000042**



Accessories for switching relays, Spring clip, Steel

**OE106001**



High-power photoelectric sensor receiver, Ø10mm 45long, standard design, connection to amplifier, cable tail 2-pin 5m PVC, IP67, plastic+plastic

**OE106003**



High-performance photoelectric sensor receiver, Ø10mm 45long, standard design, connection to amplifier, 2-pin cable tail 15m PVC, IP67, plastic+plastic

**OS106001**



High-power photoelectric sensor transmitter, Ø10mm 45long, normal power (40mW), 12°, connection to amplifier, cable tail 5m PVC, IP67, plastic+plastic

**OS106003**



High-power photoelectric sensor transmitter, Ø10mm 45long, normal power (40mW), 12°, connection to amplifier, cable tail 15m PVC, IP67, plastic+plastic

You can find further accessories on our homepage



**Installation**

Mounting / installation may only be carried out by a qualified electrician!



**Disposal**

WEEE number according to § 6 para. 3 ElektroG: 40951076

**Safety warnings**

- / Before initial operation, please make sure to follow all safety instructions that may be provided in the product information.
- / Never use these devices in applications where the safety of a person depends on their functionality.