

OV584920

High performance light barriers • Amplifier

High-power photoelectric sensor amplifier, 76x78x40mm, 2x multiplex, 230V AC, NO, 11-pin plug connection, IP40, plastic



The article OV584920 is an amplifier with two channels that belongs to the multiplex devices. Thanks to this function, it can independently distinguish the operated light barriers from each other, allowing them to be arranged close together. Its range extends up to 50000mm. The amplifier is part of the "amplifiers" subgroup, which is located in the "high-performance light barriers" supergroup. These light barriers have been specially developed for applications where conventional light barriers reach their limits. They are characterized by extreme insensitivity to dirt and have a long range. These systems enable reliable performance even under extreme conditions.

Electrical features

Number of presets to be set	2
Number of channels	2
Number of switching outputs	2
Number of normally open contacts	2
Display	LED display
Type of switching function	Normally open contact (NO)
Type of electrical connection	Plug-in connection
Type of switching output	Relay contact
Rated switching current	5000 mA
Input voltage tolerance	10 %
Setting procedure	Potentiometer
No-load current	18 mA
Power consumption	4.1 VA
Number of pins	11
Switching distance	0 - 50000 mm
Switching frequency	20 Hz
Switching capacity	120 VA
Switching voltage	230 V
Switching voltage AC	230 V
Switching voltage DC	24 V
Operating voltage (AC 50Hz)	207 - 253 V

Mechanical features

Design	Cuboid
Width	40 mm
Height	76.5 mm
Length	78.5 mm
Mounting method	Relay base
Degree of protection (IP)	IP40
Housing material	Plastic
Ambient temperature	-25 - 50 °C

Optical features

Range (transmitter with increased power, receiver with short design)	15
Range (transmitter with increased power, receiver with normal design)	30
Range (transmitter with maximum power, receiver with short design)	25
Range (transmitter with maximum power, receiver with normal design)	50
Range (transmitter with normal power, receiver with short design)	10
Range (transmitter with normal power, receiver with normal design)	20

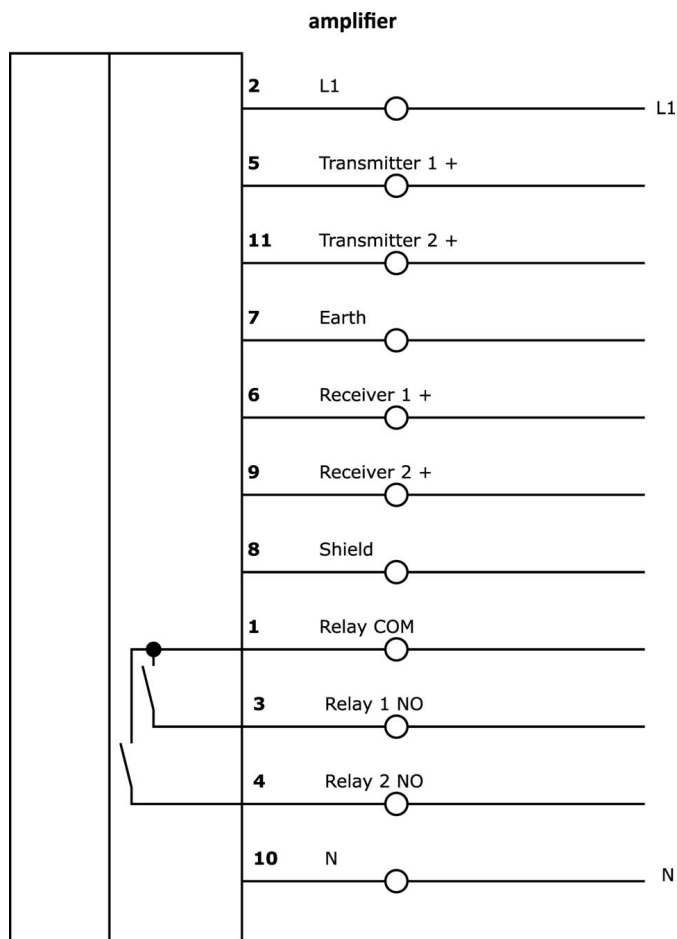
Classification

ETIM 8	EC001485 Isolation amplifier
--------	------------------------------

More

IPF Product Group	101 high performance through-beam sensors and amplifiers
packaging dimensions	120 x 83 x 47 mm
gross weight	270 g
Customs tariff number	85365080
WEEE number	40951076
Reach-compliant	Yes
RoHS-compliant	Yes

Connection



Extract accessories program

AV000004



accessories, Relay socket, Plug-in end socket, 27x67x38mm, 250V, Screw connection 11pin, IP20, Plastic, DIN rail (top hat rail) 35 mm

AV000042



Accessories for switching relays, Spring clip, Steel

OS106001



High-power photoelectric sensor transmitter, Ø10mm 45long, normal power (40mW), 12°, connection to amplifier, cable tail 5m PVC, IP67, plastic+plastic

OS106003



High-power photoelectric sensor transmitter, Ø10mm 45long, normal power (40mW), 12°, connection to amplifier, cable tail 15m PVC, IP67, plastic+plastic

OE106001



High-power photoelectric sensor receiver, Ø10mm 45long, standard design, connection to amplifier, cable tail 2-pin 5m PVC, IP67, plastic+plastic

OE106003



High-performance photoelectric sensor receiver, Ø10mm 45long, standard design, connection to amplifier, 2-pin cable tail 15m PVC, IP67, plastic+plastic

You can find further accessories on our homepage



Installation

Mounting / installation may only be carried out by a qualified electrician!



Disposal

WEEE number according to § 6 para. 3 ElektroG: 40951076

Safety warnings

- / Before initial operation, please make sure to follow all safety instructions that may be provided in the product information.
- / Never use these devices in applications where the safety of a person depends on their functionality.