

OV58A854

High performance light barriers • Amplifier

High-performance photoelectric sensor amplifier, 76x78x40mm, 24V, NO/NC, 0-10V, 11-pin plug connection, IP40, plastic



The article "OV58A854" is a single-channel amplifier for a light barrier. It belongs to the "amplifier" subgroup, which processes information from the receiver and regulates the power of the transmitter. This subgroup is part of the "High-performance light barriers" supergroup, which was specially developed for demanding applications.

The OV58A854 amplifier is characterized by its simple installation and high user-friendliness. It enables a range of up to 60m and is extremely insensitive to dirt. The amplifier ensures reliable performance even when heavily soiled with chips, dust, flour, oil or dirty water. Thanks to the large angle of beam spread, it facilitates alignment and remains insensitive to vibrations and shocks.

Overall, the OV58A854 amplifier offers the perfect solution for demanding applications in the wood and paper industry, vehicle washing systems, bulk material control, elevators, outdoor gate controls, the food industry and many other areas. It is robust, compact and ensures reliable performance even under adverse conditions.

Electrical features

Number of presets to be set	2
Number of channels	1
Number of contacts as change-over contact	1
Number of switching outputs	1
Display	LED display
Type of switching function	Normally closed contact/normally open contact
Type of analog output	0 - 10V
Type of electrical connection	Plug-in connection
Type of switching output	PNP/NPN
Rated switching current	100 mA
Input voltage tolerance	20 %
Setting procedure	Potentiometer
Power consumption	2 VA
Number of pins	11
Switching frequency	30 Hz
Switching capacity	3 VA
Switching voltage	24 V
Operating voltage (DC)	19,2 - 28,8 V

Mechanical features

Design	Cuboid
Width	40 mm
Height	76.5 mm
Length	78.5 mm
Mounting method	Relay base
Degree of protection (IP)	IP40
Housing material	Plastic
Ambient temperature	-25 - 50 °C

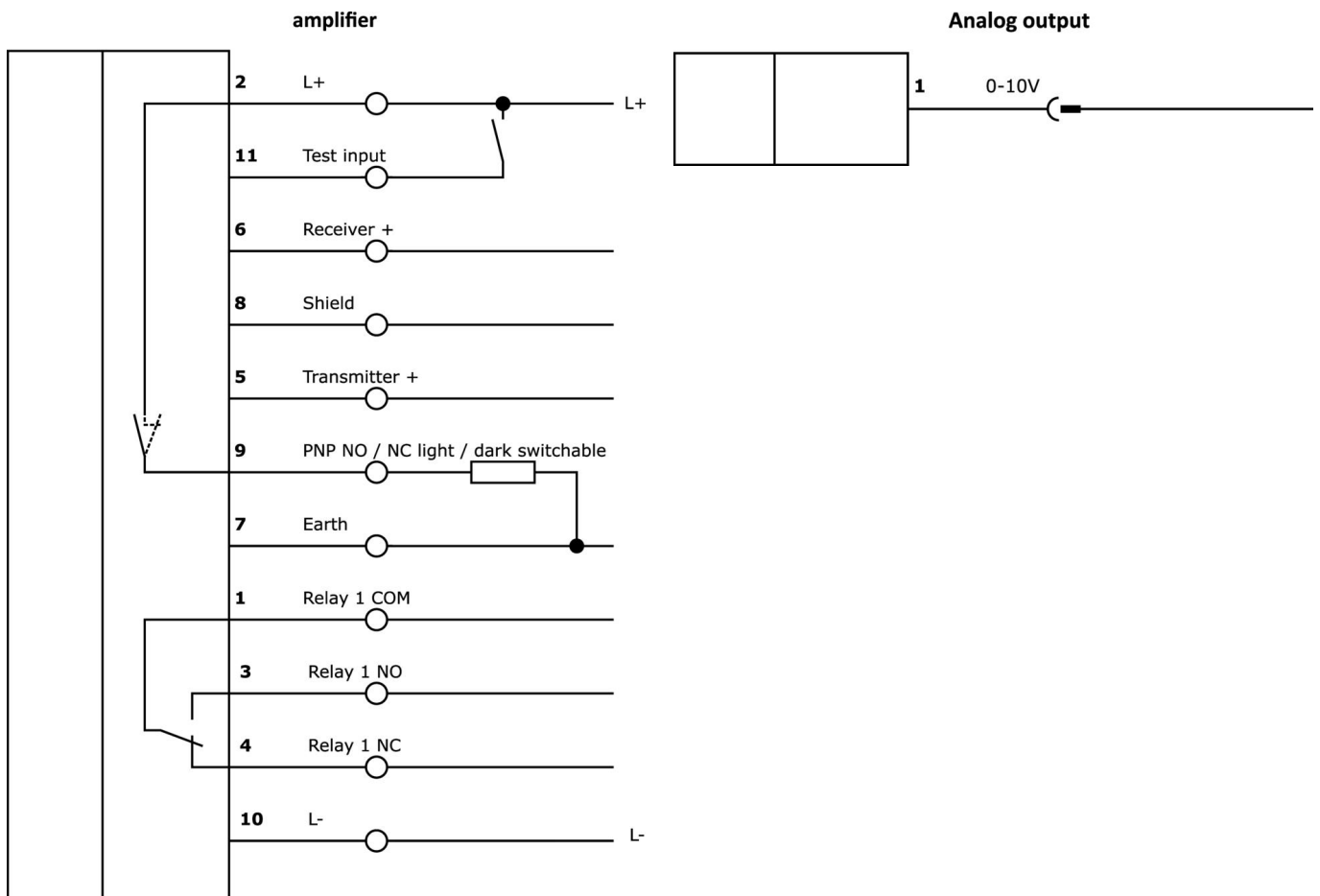
Classification

ETIM 8	EC001485 Isolation amplifier
--------	------------------------------

More

IPF Product Group	101 high performance through-beam sensors and amplifiers
packaging dimensions	120 x 80 x 45 mm
gross weight	160 g
Customs tariff number	85365019
WEEE number	40951076
Reach-compliant	Yes
RoHS-compliant	Yes

Connection



Extract accessories program

OS106001



High-power photoelectric sensor transmitter, Ø10mm 45long, normal power (40mW), 12°, connection to amplifier, cable tail 5m PVC, IP67, plastic+plastic

OS106003



High-power photoelectric sensor transmitter, Ø10mm 45long, normal power (40mW), 12°, connection to amplifier, cable tail 15m PVC, IP67, plastic+plastic

AV000004



accessories, Relay socket, Plug-in end socket, 27x67x38mm, 250V, Screw connection 11pin, IP20, Plastic, DIN rail (top hat rail) 35 mm

AV000042



Accessories for switching relays, Spring clip, Steel

OE106001



High-power photoelectric sensor receiver, Ø10mm 45long, standard design, connection to amplifier, cable tail 2-pin 5m PVC, IP67, plastic+plastic

OE106003



High-performance photoelectric sensor receiver, Ø10mm 45long, standard design, connection to amplifier, 2-pin cable tail 15m PVC, IP67, plastic+plastic

You can find further accessories on our homepage



Installation

Mounting / installation may only be carried out by a qualified electrician!



Disposal

WEEE number according to § 6 para. 3 ElektroG: 40951076

Safety warnings

- / Before initial operation, please make sure to follow all safety instructions that may be provided in the product information.
- / Never use these devices in applications where the safety of a person depends on their functionality.