

# OV620800

## High performance light barriers • Amplifier

High-performance photoelectric sensor amplifier, 58x95x36mm, 24V, NO, terminal, IP20, plastic, fault signal output



The article OV620800 is a single-channel amplifier for a light barrier from the subgroup "Amplifiers". This amplifier, part of the "High-performance light barriers" subgroup, has been specially developed for extreme applications. With a range of up to 55000mm, it offers enormous penetration even in heavily soiled areas. Due to its extreme dirt resistance and range, it is particularly suitable for demanding applications in various industries such as the wood and paper industry, vehicle washing systems, elevators, outdoor gate control systems and the food industry. The simple installation and handling make it extremely user-friendly.

### Electrical features

Number of presets to be set	2
Number of channels	1
Number of switching outputs	1
Number of normally open contacts	1
Type of switching function	Normally open contact (NO)
Type of alarm output	PNP
Type of electrical connection	Clamped terminal connection
Type of switching output	Relay contact
Rated switching current	100 mA
Input voltage tolerance	20 %
Setting procedure	Potentiometer
No-load current	100 mA
Power consumption	2.4 VA
Switching distance	0 - 55000 mm
Switching function of the alarm output	Normally open contact (NO)
Switching capacity	6 VA
Switching voltage	60 V
Switching voltage AC	60 V
Switching voltage DC	60 V
Operating voltage (DC)	19,2 - 28,8 V
Malfunction message output	Yes

**Mechanical features**

Design	Cuboid
Width	35.8 mm
Height	58 mm
Length	90 mm
Mounting method	Top hat rail
Degree of protection (IP)	IP20
Housing material	Plastic
Ambient temperature	-25 - 50 °C

**Optical features**

Range (transmitter with increased power, receiver with short design)	10
Range (transmitter with increased power, receiver with normal design)	25
Range (transmitter with maximum power, receiver with short design)	20
Range (transmitter with maximum power, receiver with normal design)	55
Range (transmitter with normal power, receiver with short design)	7
Range (transmitter with normal power, receiver with normal design)	15

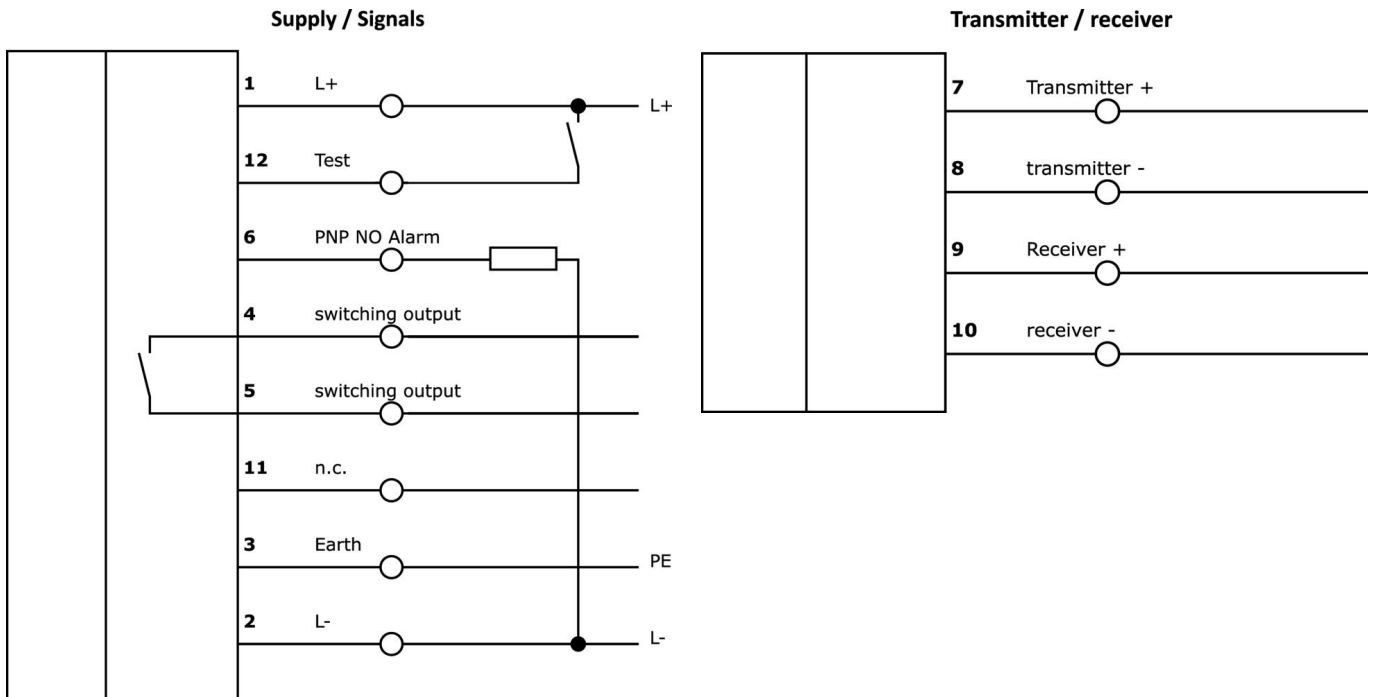
**Classification**

ETIM 8	EC001485 Isolation amplifier
--------	------------------------------

**More**

IPF Product Group	101 high performance through-beam sensors and amplifiers
packaging dimensions	100 x 60 x 65 mm
gross weight	130 g
Customs tariff number	85365019
WEEE number	40951076
Reach-compliant	Yes
RoHS-compliant	Yes

**Connection**



**Extract accessories program**

**OE106001**



High-power photoelectric sensor receiver, Ø10mm 45long, standard design, connection to amplifier, cable tail 2-pin 5m PVC, IP67, plastic+plastic

**OE106003**



High-performance photoelectric sensor receiver, Ø10mm 45long, standard design, connection to amplifier, 2-pin cable tail 15m PVC, IP67, plastic+plastic

**OS106001**



High-power photoelectric sensor transmitter, Ø10mm 45long, normal power (40mW), 12°, connection to amplifier, cable tail 5m PVC, IP67, plastic+plastic

**OS106003**



High-power photoelectric sensor transmitter, Ø10mm 45long, normal power (40mW), 12°, connection to amplifier, cable tail 15m PVC, IP67, plastic+plastic

**AV000108**



accessories miscellaneous, Surface mounted housing, 126x175x125mm, -40-120°C, IP66, Plastic PC, Gray, Transparent, With cable entry

**AV000109**



accessories miscellaneous, Surface mounted housing, 126x125x125mm, -40-120°C, IP66, Plastic PC, Gray, Transparent, With cable entry

You can find further accessories on our homepage



**Installation**

Mounting / installation may only be carried out by a qualified electrician!



**Disposal**

WEEE number according to § 6 para. 3 ElektroG: 40951076

**Safety warnings**

/ Before initial operation, please make sure to follow all safety instructions that may be provided in the product information.

/ Never use these devices in applications where the safety of a person depends on their functionality.