

OV630840

High performance light barriers • Amplifier

High-performance photoelectric sensor amplifier, 58x95x53mm, 2x Multiplex, 24V, NO, terminal, IP20, plastic, fault signal output



The article with the item number "OV630840" is an amplifier with two channels that belongs to the subgroup "Amplifiers". This amplifier can operate light barriers as a multiplex device and distinguish between them independently. This allows a close arrangement of the light barriers. With an impressive range of up to 55000mm, the OV630840 amplifier offers reliable performance for various applications in industry and trade.

Electrical features

Number of presets to be set	2
Number of channels	2
Number of switching outputs	2
Number of normally open contacts	2
Display	LED display
Type of switching function	Normally open contact (NO)
Type of electrical connection	Clamped terminal connection
Type of switching output	Relay contact
Rated switching current	100 mA
Input voltage tolerance	20 %
Setting procedure	Potentiometer
Short-circuit protection	Yes
No-load current	100 mA
Power consumption	2.4 VA
Switching distance	0 - 55000 mm
Switching capacity	6 VA
Switching voltage	24 V
Switching voltage AC	60 V
Switching voltage DC	60 V
Operating voltage (DC)	19,2 - 28,8 V
Malfunction message output	Yes
With soiling compensation	Yes

Mechanical features

Design	Cuboid
Width	52.8 mm
Height	58 mm
Length	90 mm
Mounting method	Top hat rail
Degree of protection (IP)	IP20
Housing material	Plastic
Ambient temperature	-25 - 50 °C

Optical features

Range (transmitter with increased power, receiver with short design)	10
Range (transmitter with increased power, receiver with normal design)	30
Range (transmitter with maximum power, receiver with short design)	20
Range (transmitter with maximum power, receiver with normal design)	55
Range (transmitter with normal power, receiver with short design)	8
Range (transmitter with normal power, receiver with normal design)	20

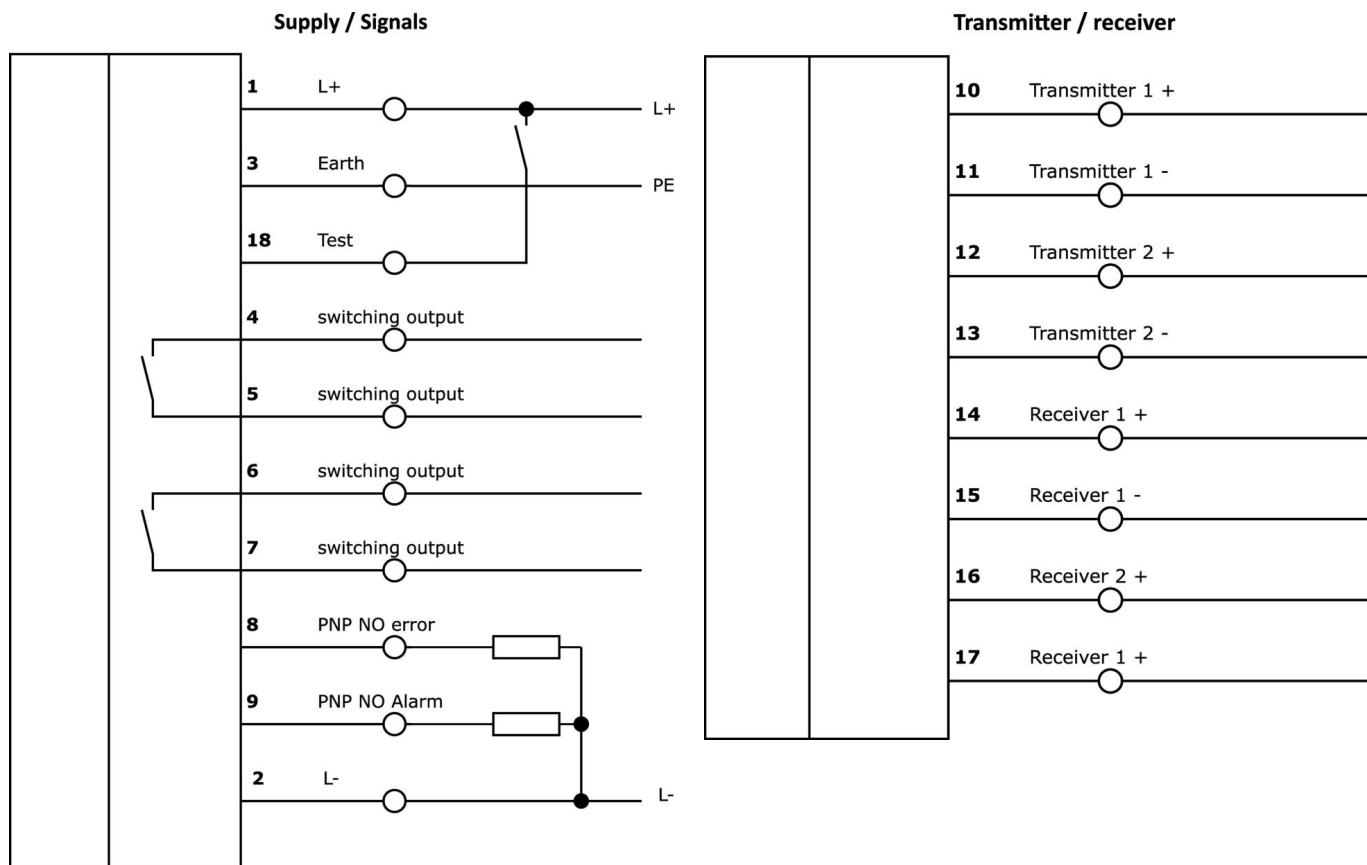
Classification

ETIM 8	EC001485 Isolation amplifier
--------	------------------------------

More

IPF Product Group	101 high performance through-beam sensors and amplifiers
packaging dimensions	100 x 60 x 64 mm
gross weight	160 g
Customs tariff number	85365019
WEEE number	40951076
Reach-compliant	Yes
RoHS-compliant	Yes

Connection



Extract accessories program

AV000108



accessories miscellaneous, Surface mounted housing, 126x175x125mm, -40-120°C, IP66, Plastic PC, Gray, Transparent, With cable entry

AV000109



accessories miscellaneous, Surface mounted housing, 126x125x125mm, -40-120°C, IP66, Plastic PC, Gray, Transparent, With cable entry

OE106001



High-power photoelectric sensor receiver, Ø10mm 45long, standard design, connection to amplifier, cable tail 2-pin 5m PVC, IP67, plastic+plastic

OE106003



High-performance photoelectric sensor receiver, Ø10mm 45long, standard design, connection to amplifier, 2-pin cable tail 15m PVC, IP67, plastic+plastic

OS106001



High-power photoelectric sensor transmitter, Ø10mm 45long, normal power (40mW), 12°, connection to amplifier, cable tail 5m PVC, IP67, plastic+plastic

OS106003



High-power photoelectric sensor transmitter, Ø10mm 45long, normal power (40mW), 12°, connection to amplifier, cable tail 15m PVC, IP67, plastic+plastic

You can find further accessories on our homepage



Installation

Mounting / installation may only be carried out by a qualified electrician!



Disposal

WEEE number according to § 6 para. 3 ElektroG: 40951076

Safety warnings

- / Before initial operation, please make sure to follow all safety instructions that may be provided in the product information.
- / Never use these devices in applications where the safety of a person depends on their functionality.