

OVSIO118

Optical sensors • Switching amplifiers

amplifier optical, 24x70x36mm, 12-32V DC, PNP NO (NO), 4pin, IP64, Aluminum



Electrical features

Number of channels	1
Type of switching function	Normally open contact (NO)
Type of switching output	PNP
Turn-off delay	0,02 - 0,3 ms
Rated switching current	200 mA
Short-circuit protection	Yes
Power consumption	0.19 VA
Number of pins	4
Switching frequency	1000 Hz
Switching voltage	32 V
Switching voltage DC	32 V
Operating voltage (DC)	12 - 32 V
Amplifier for light curtain	Yes

Mechanical features

Design	Cuboid
Width	36 mm
Height	24 mm
Length	70 mm
Mounting method	Floor fastening
Degree of protection (IP)	IP64
Housing material	Aluminum
Ambient temperature	-20 - 60 °C

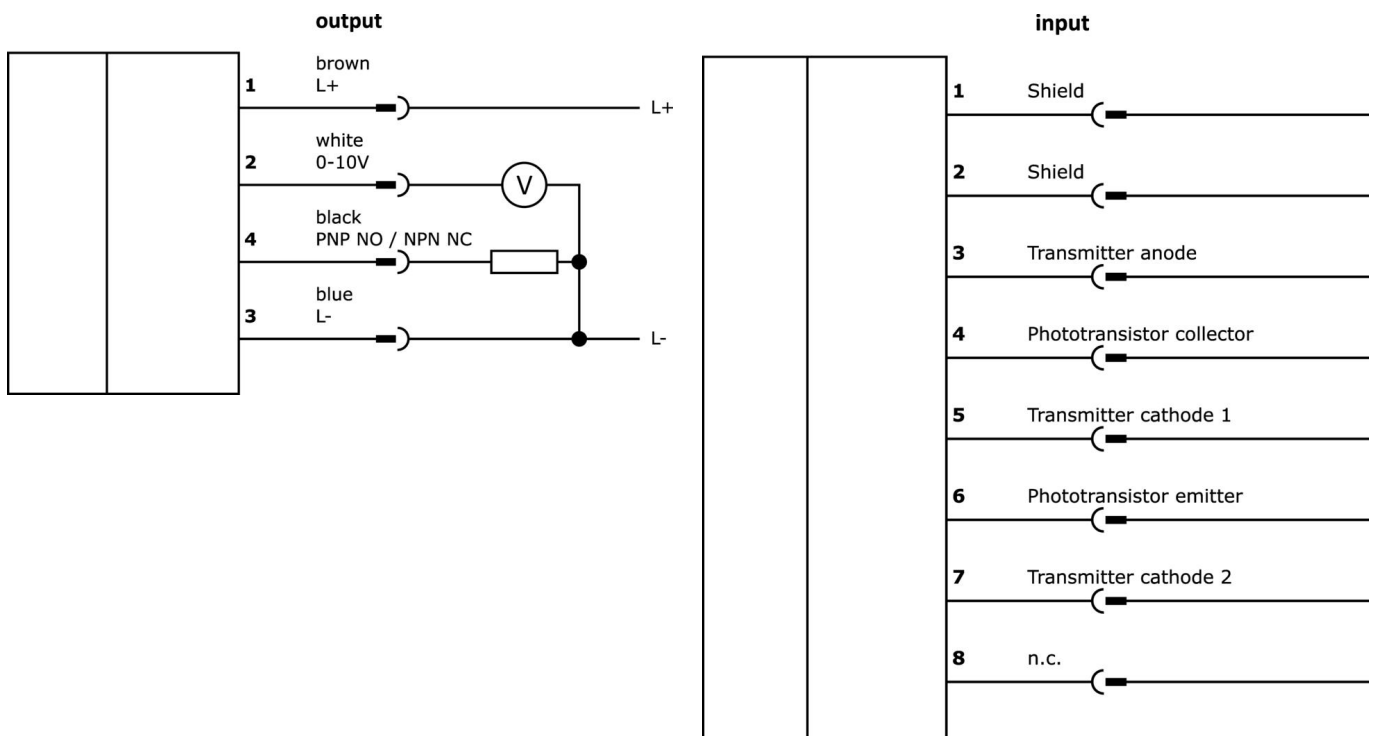
Classification

ETIM 8	EC001485 Isolation amplifier
--------	------------------------------

More

IPF Product Group	705 special devices (SI)
packaging dimensions	160 x 99 x 60 mm
gross weight	70 g
Customs tariff number	85365019
WEEE number	40951076
POP-compliant	Yes
Reach-compliant	Yes
RoHS-compliant	Yes

Connection



Extract accessories program

VK000040



Adaption, M8 Female (socket)
 4pin Straight, M12 Male
 (connector) 4pin Straight, 24V, -
 25-85°C, IP67, Oil and cooling
 lubricants, Welding area

You can find further accessories on our homepage



Installation

Mounting / installation may only be carried out by a qualified electrician!



Disposal

WEEE number according to § 6 para. 3
 ElektroG: 40951076

Safety warnings

- / Before initial operation, please make sure to follow all safety instructions that may be provided in the product information.
- / Never use these devices in applications where the safety of a person depends on their functionality.