

## OY320101

### Safety systems • Light curtains - hand protection

Light curtain, 37x383x32mm, field height 300, resolution 30mm, Sn: 0.3-19m, 24V DC, PNP NO, 500mA, M12 connector 8pin/4pin, IP65, aluminum painted+PMMA, safety

including Holder, Transmitter and receiver



safety light curtains are suitable for the protection of hazardous areas on machines according to the applicable standards. there are three groups of devices: body protection (2, 3 and 4 rays), hand protection (resolution 30mm) and finger protection (resolution 14mm). each group has devices with different protection field heights. Often these systems are used in conveyors, welding robots as well as cutting and bending machines

#### Electrical features

|  |                            |
|--|----------------------------|
| Number of safe semiconductor outputs           | 2                          |
| Display  | LED display                |
| Resolution                                     | 30 mm                      |
| Type of switching function                     | Normally open contact (NO) |
| Type of electrical connection                  | Connector M12              |
| Type of switching output                       | OSSD, dual channel         |
| Rated switching current                        | 500 mA                     |
| Short-circuit protection                       | Yes                        |
| No-load current, receiver                      | 150 mA                     |
| No-load current, transmitter                   | 105 mA                     |
| Number of pins, receiver                       | 8                          |
| Number of pins, transmitter                    | 4                          |
| Reaction time                                  | 11 ms                      |
| Switching distance                             | 300 - 19000 mm             |
| Protection class                               | III                        |
| Reverse polarity protection                    | Yes                        |
| Operating voltage (DC)                         | 24 V                       |
| Suitable for safety functions                  | Yes                        |
| With restart lock                              | Yes                        |
| With monitoring function of downstream devices | Yes                        |

**Mechanical features**

|                                |                |
|--------------------------------|----------------|
| Width                          | 32.3 mm        |
| Field height                   | 300 mm         |
| Height                         | 36.9 mm        |
| Length                         | 383.2 mm       |
| Surface                        | Varnished      |
| Degree of protection (IP)      | IP65           |
| Active area material of sensor | Plastic (PMMA) |
| Housing material               | Aluminum       |
| Ambient temperature            | 0 - 55 °C      |

**Optical features**

|                          |        |
|--------------------------|--------|
| Number of beams          | 16     |
| Wavelength of the sensor | 950 nm |

**Other features**

|  |            |
|--|------------|
| Relative air humidity (non-condensing) | 15 - 95 %  |
| Safety category                        | Category 4 |
| Safety type in acc. with IEC 61496-1   | 4          |
| With beam coding                       | Yes        |

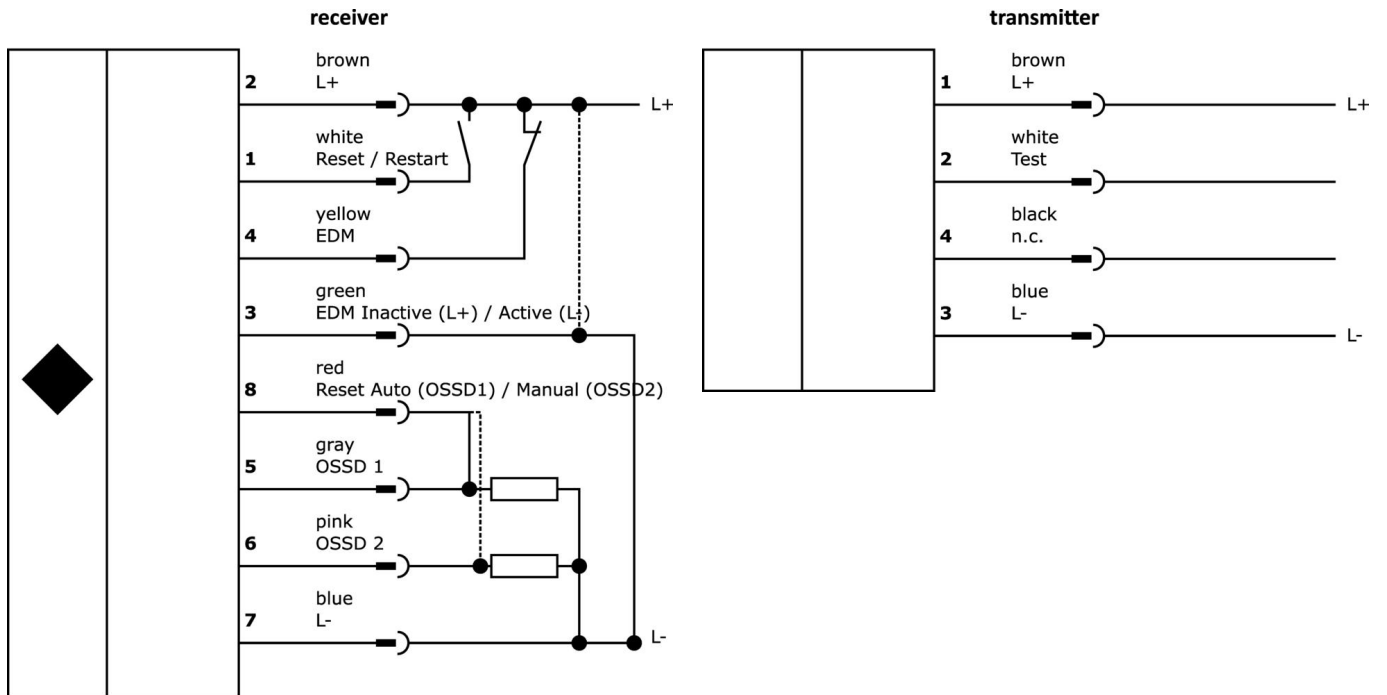
**Classification**

|        |                        |
|--------|------------------------|
| ETIM 8 | EC002549 Light curtain |
|--------|------------------------|

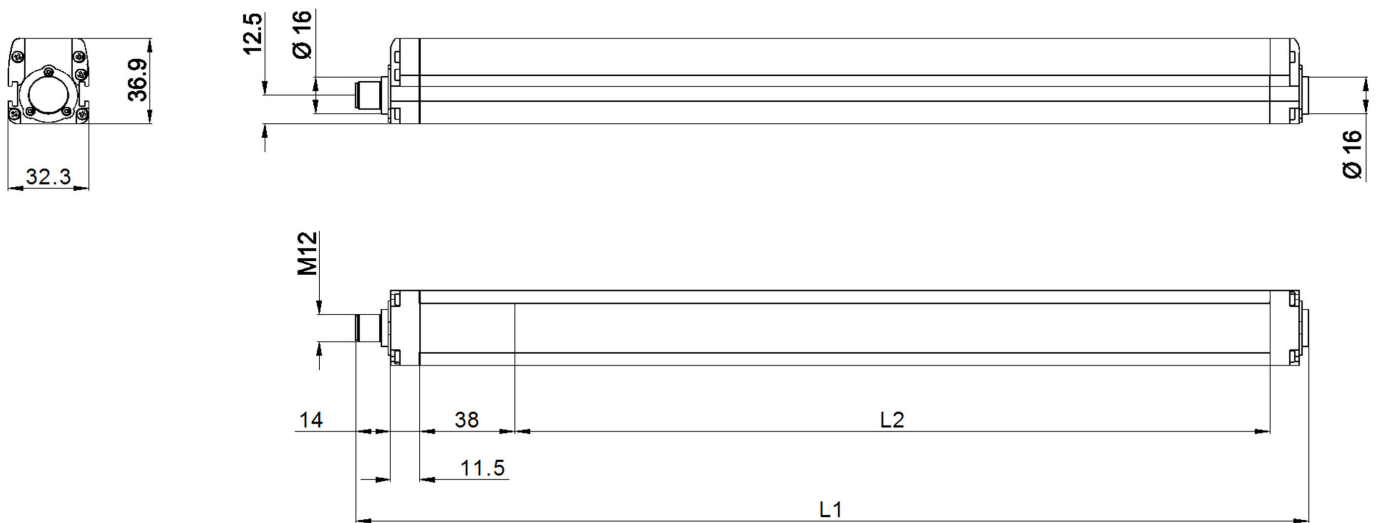
**More**

|                       |                    |
|-----------------------|--------------------|
| IPF Product Group     | 710 safety systems |
| packaging dimensions  | 690 x 180 x 100 mm |
| gross weight          | 2337 g             |
| Customs tariff number | 85365019           |
| WEEE number           | 40951076           |
| POP-compliant         | Yes                |
| Reach-compliant       | Yes                |
| RoHS-compliant        | Yes                |

**Connection**



**Dimensional drawing**



**Extract accessories program**

**VK200321**



Connection cable, 2m, M12  
Female (socket) 4pin Angular, Free conductor end, 4x0.34mm<sup>2</sup>, PUR (Polyurethane), Ø4.7mm, 250V, -40-90°C, IP67, Suitable for trailing chain and torsion resistant, Oil and cooling lubricants, Welding area, Silicone-free

**VK200325**



Connection cable, 2m, M12  
Female (socket) 4pin Straight, Free conductor end, 4x0.34mm<sup>2</sup>, PUR (Polyurethane), Ø4.7mm, 250V, -40-90°C, IP67, Suitable for trailing chain and torsion resistant, Oil and cooling lubricants, Welding area, Silicone-free

**AY98A607**



accessories sensor, Teflon cap, Ø16mm 16long, inner thread 12, Polytetrafluorethylene (PTFE)

**VK205A21**



Connection cable, 2m, M12  
Female (socket) 8pin Angular, Free conductor end, 8x0.25mm<sup>2</sup>, PUR (Polyurethane), Ø6.6mm, 30V, -25-90°C, IP67, Shielded, Suitable for trailing chain and torsion resistant, Oil and cooling lubricants, Welding area, Silicone..

**VK205A25**



Connection cable, 2m, M12  
Female (socket) 8pin Straight, Free conductor end, 8x0.25mm<sup>2</sup>, PUR (Polyurethane), Ø6.6mm, 30V, -25-90°C, IP67, Shielded, Suitable for trailing chain and torsion resistant, Oil and cooling lubricants, Welding area, Silicon...

**VK200A25**



Connection cable, 2m, M12  
Female (socket) 8pin Straight, Free conductor end, 8wire, PUR (Polyurethane), Ø5.9mm, Suitable for trailing chain and torsion resistant, Oil and cooling lubricants, Welding area, Silicone-free

**VK500A25**



Connection cable, 5m, M12  
Female (socket) 8pin Straight, Free conductor end, 8wire, PUR (Polyurethane), Ø5.9mm, Suitable for trailing chain and torsion resistant, Oil and cooling lubricants, Welding area, Silicone-free

**AO000293**



accessories optical, Infrared spotfinder, Plastic, With LED display, Signal tone

**AO000299**



Accessories Optical, safety relay, 90x118x22mm, 1x NC, 3x NO, dual channel, 24V DC, screw connection, plastic, safety

You can find further accessories on our homepage



**Installation**

Mounting / installation may only be carried out by a qualified electrician!



**Disposal**

WEEE number according to § 6 para. 3  
ElektroG: 40951076

**Safety warnings**

**/** Before initial operation, please make sure to follow all safety instructions that may be provided in the product information.

**/** Any software, drivers or IODD files that may be required to operate your device can be downloaded free of charge from our homepage: [www.ipf-electronic.com](http://www.ipf-electronic.com)