

OY320139

Safety systems • Light curtains - finger protection

Light curtain, 37x1583x32mm, field height 1500, resolution 14mm, Sn: 0.3-6m, 24V DC, PNP NO, 500mA, M12 connector 8pin/4pin, IP65, aluminum painted+PMMA, safety

including Holder, Transmitter and receiver



safety light curtains are suitable for the protection of hazardous areas on machines according to the applicable standards. there are three groups of devices: body protection (2, 3 and 4 rays), hand protection (resolution 30mm) and finger protection (resolution 14mm). each group has devices with different protection field heights. Often these systems are used in conveyors, welding robots as well as cutting and bending machines

Electrical features

Number of safe semiconductor outputs	2
Display	LED display
Resolution	14 mm
Type of switching function	Normally open contact (NO)
Type of electrical connection	Connector M12
Type of switching output	OSSD, dual channel
Rated switching current	500 mA
Short-circuit protection	Yes
No-load current, receiver	150 mA
No-load current, transmitter	105 mA
Number of pins, receiver	8
Number of pins, transmitter	4
Reaction time	43 ms
Switching distance	300 - 6000 mm
Protection class	III
Reverse polarity protection	Yes
Operating voltage (DC)	24 V
Suitable for safety functions	Yes
With restart lock	Yes
With monitoring function of downstream devices	Yes

Mechanical features

Width	32.3 mm
Field height	1500 mm
Height	36.9 mm
Length	1583.3 mm
Surface	Varnished
Degree of protection (IP)	IP65
Active area material of sensor	Plastic (PMMA)
Housing material	Aluminum
Ambient temperature	0 - 55 °C

Optical features

Number of beams	160
Wavelength of the sensor	950 nm

Other features

Relative air humidity (non-condensing)	15 - 95 %
Safety category	Category 4
Safety type in acc. with IEC 61496-1	4
With beam coding	Yes

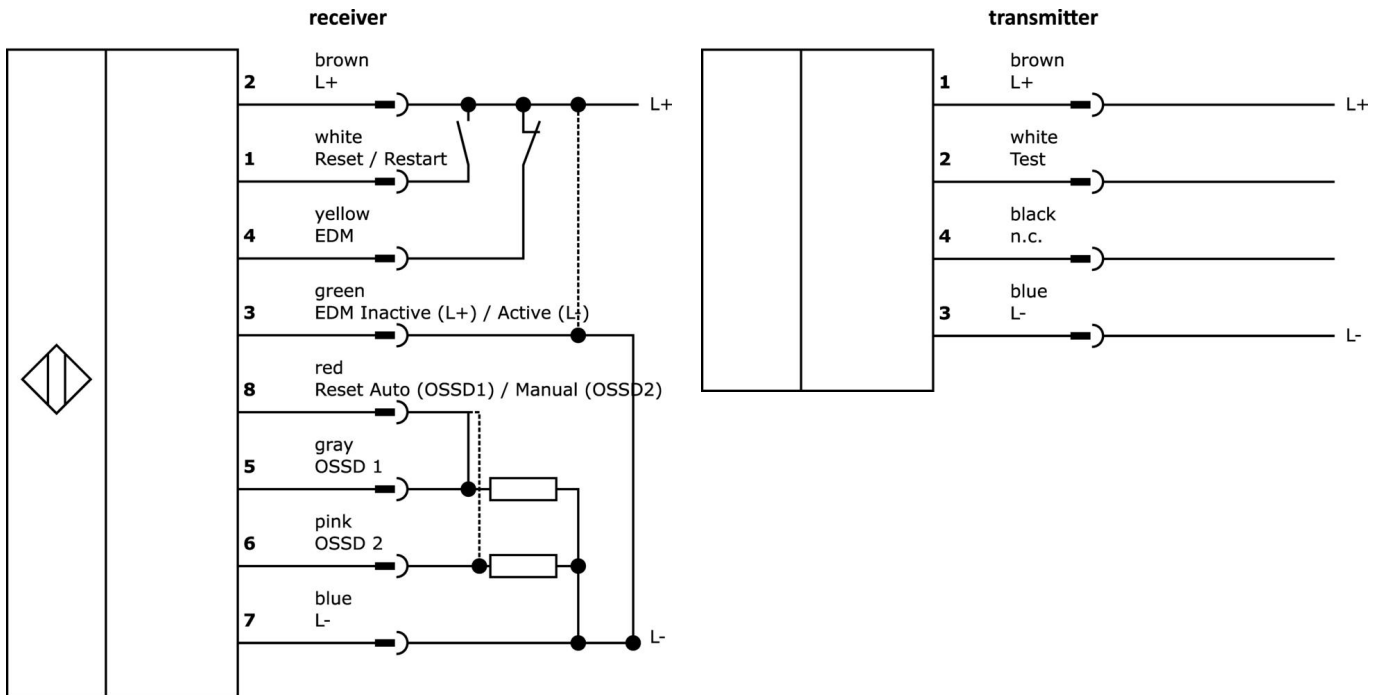
Classification

ETIM 8	EC002549 Light curtain
--------	------------------------

More

IPF Product Group	710 safety systems
packaging dimensions	1820 x 180 x 100 mm
gross weight	7176 g
Customs tariff number	85365019
WEEE number	40951076
Reach-compliant	Yes
RoHS-compliant	Yes

Connection



Extract accessories program

VK205A21

Connection cable, 2m, M12
 Female (socket) 8pin Angular, Free conductor end, 8x0.25mm², PUR (Polyurethane), Ø6.6mm, 30V, -25-90°C, IP67, Shielded, Suitable for trailing chain and torsion resistant, Oil and cooling lubricants, Welding area, Silicone..

VK205A25

Connection cable, 2m, M12
 Female (socket) 8pin Straight, Free conductor end, 8x0.25mm², PUR (Polyurethane), Ø6.6mm, 30V, -25-90°C, IP67, Shielded, Suitable for trailing chain and torsion resistant, Oil and cooling lubricants, Welding area, Silicon...

VK00382D

Cable socket, Straight, Suitable for self-assembly, Screw connection, Ø3-6.5mm, 2A, 30V, -25-85°C, M12 Female (socket) 8pin, IP67, PBT

VK00302D

Junction box, straight, self assembly, screw connection, Ø4-8mm, 2A, 30V, -30-80°C, M12 receptacle 8pin, IP67, PBT

AY98A607

accessories sensor, Teflon cap, Ø16mm 16long, inner thread 12, Polytetrafluorethylene (PTFE)

AO000293

accessories optical, Infrared spotfinder, Plastic, With LED display, Signal tone

AO000299

Accessories Optical, safety relay, 90x118x22mm, 1x NC, 3x NO, dual channel, 24V DC, screw connection, plastic, safety

AO98A980

Accessories Optical, safety relay, 84x121x45mm, with muting function, 3x NO, dual channel, 24V DC, screw connection, plastic, safety

VK200321

Connection cable, 2m, M12
 Female (socket) 4pin Angular, Free conductor end, 4x0.34mm², PUR (Polyurethane), Ø4.7mm, 250V, -40-90°C, IP67, Suitable for trailing chain and torsion resistant, Oil and cooling lubricants, Welding area, Silicone-free

You can find further accessories on our homepage

**Installation**

Mounting / installation may only be carried out by a qualified electrician!

**Disposal**

WEEE number according to § 6 para. 3
ElektroG: 40951076

Safety warnings

/ Before initial operation, please make sure to follow all safety instructions that may be provided in the product information.

/ Any software, drivers or IODD files that may be required to operate your device can be downloaded free of charge from our homepage: www.ipf-electronic.com