

OY340145

Optical sensors • Line diffuse-reflection sensor

sensor optical, line, M34x1.5 133long, Sn: 50-60, 24V DC, 3x PNP/NPN Programmable/configurable, 0-10V/4-20mA, Connector M9 8pin, IP67, Aluminum Anodised, White light, Point, Parameterization, RS232

including Nut



Optical sensors function contactlessly. They detect objects independent of their characteristics (e.g., shape, color, surface structure, material). The basic operating principle is based on the transmission and reception of light. There are three different versions: 1. The through-beam sensor consists of two separate devices, a transmitter and a receiver that are aligned with one another. If the light beam between the two devices is interrupted, the switching output integrated in the receiver changes its status. 2. With the retro-reflective sensor, the transmitter and receiver are located in one device. The emitted light beam is reflected back to the receiver by a reflector that is to be mounted opposite the device. As soon as the light beam is interrupted, the switching output integrated in the device changes its status. 3. With the diffuse reflection sensor, the transmitter and receiver are in one device. The emitted light beam is reflected by the object that is to be detected. As soon as the receiver detects the reflected light, the switching output integrated in the device changes its status.

Electrical features

Number of switching outputs	3
Display	LED display
Type of switching function	Programmable/configurable
Type of analog output	0 - 10V 4 - 20mA
Type of electrical connection	Connector M9
Type of switching output	PNP/NPN
Rated switching current	100 mA
Setting procedure	Parameterization
Short-circuit protection	Yes
No-load current	220 mA
Number of pins	8
Repeatability +/-	20 µm
Switching distance	50 - 60 mm
Protection class	III
Clock frequency of the transmitter	0.5 kHz
Scanning function	Light-/dark-on mode
Type of plug-in contact, communication interface	Female (socket)
Type of plug-in connection, communication interface	Connector M5
Number of pins of interface connection	4
Supported communication interface	RS232
Operating voltage (DC)	24 V

Mechanical features

Design	Cylinder, screw-thread
Diameter	34 mm
Thread length	74 mm
Thread pitch	1.5 mm
Storage temperature	-20 - 85 °C
Length	133 mm
Row length	20 mm
Surface	teflon coated
Degree of protection (IP)	IP67
Housing material	Aluminum
Ejection control	Yes
Thread dimension	M34
Ambient temperature	-10 - 60 °C

Optical features

Light source	White light
Light exit	axial
Light beam form	Point
Min. object size	0.1 mm

Other features

Feeding technology	Yes
--------------------	-----

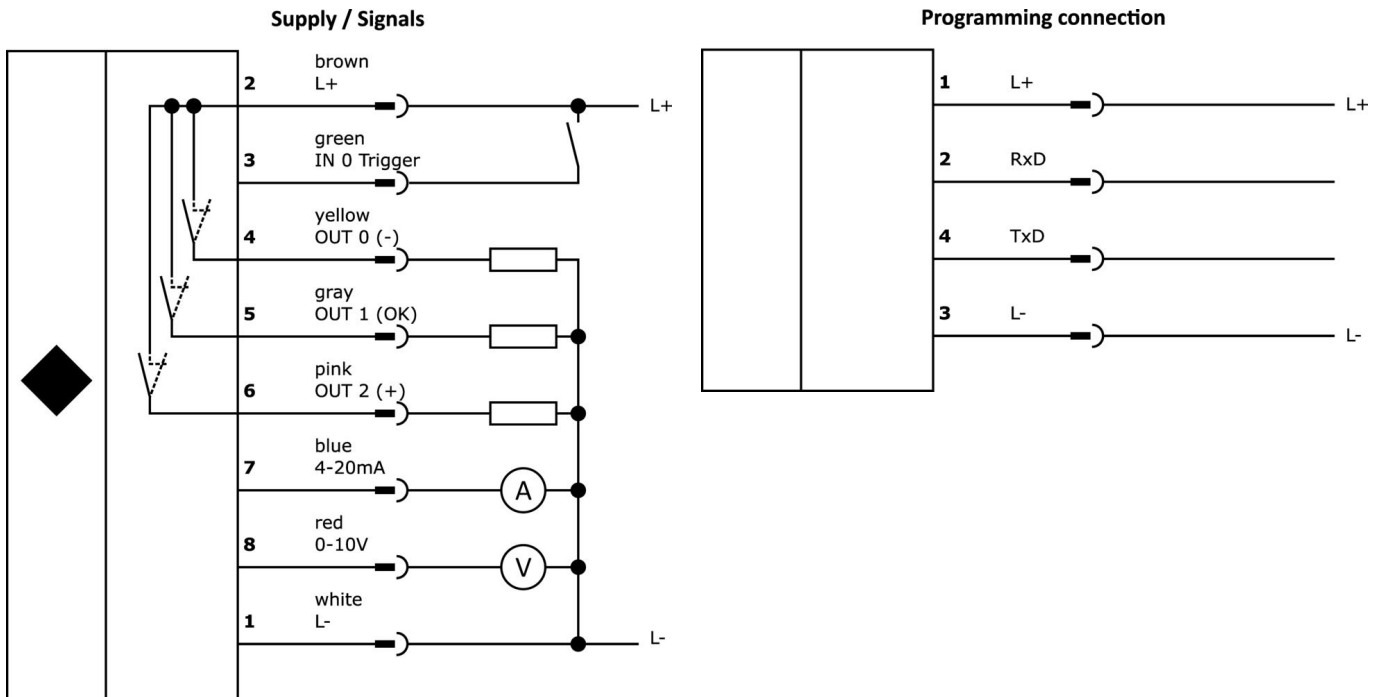
Classification

ETIM 8	EC001821 Light sensor energetic
--------	---------------------------------

More

IPF Product Group	105 line sensors
packaging dimensions	210 x 138 x 95 mm
gross weight	180 g
Customs tariff number	85365019
WEEE number	40951076
Reach-compliant	Yes
RoHS-compliant	Yes

Connection



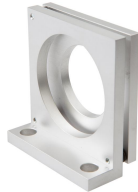
Extract accessories program

VK000053



Screw plug, M5, Plastic, Black

AO000164



accessories optical, Mounting angle bracket, Angle, Aluminum

AY000151



accessories sensor, Ø34mm, Plastic, For sensor 34mm, for Wall mounting, Screw mounting

VKSI0297



Connection cable RS232/Ethernet, 0.5m, M5 Male (connector) 4pin Straight, M12 Male (connector) 4pin Straight, D-coding, PUR (Polyurethane), Aluminum

VK207U40



Connection cable RS232/USB, 2m, M5 Male (connector) Angular, USB-A Male (connector) Straight, PUR (Polyurethane)

VK207U44



Connection cable RS232/USB, 2m, M5 Male (connector) Straight, USB-A Male (connector) Straight, PUR (Polyurethane)

VK207F44



Connection cable RS232/Sub-D, 2m, M5 Male (connector) Straight, D-Sub Male (connector) 9pin Straight, PUR (Polyurethane)

VK207B41



Connection cable, 2m, M9 connector 8-pin angular, free cable end, 8x0.14mm², PUR (polyurethane), 125V, IP67, shielded, oils and cooling lubricants, welding area

VK207B45



Connection cable, 2m, M9 Male (connector) 8pin Straight, Free conductor end, 8x0.14mm², PUR (Polyurethane), 125V, IP67, Shielded, Oil and cooling lubricants, Welding area

You can find further accessories on our homepage



Installation

Mounting / installation may only be carried out by a qualified electrician!



Disposal

WEEE number according to § 6 para. 3 ElektroG: 40951076

Safety warnings

- /** Before initial operation, please make sure to follow all safety instructions that may be provided in the product information.
- /** Never use these devices in applications where the safety of a person depends on their functionality.
- /** Any software, drivers or IODD files that may be required to operate your device can be downloaded free of charge from our homepage: www.ipf-electronic.com