

## OY380523

### Optical sensors • Luminescence sensors

sensor optical, luminescence, 48x38x15mm, Blue light, Sn: 300, 10-30V DC, PNP/NPN NC/NO, M12 connector, 5-pin 5pin, IP67, Metal+Glass, 1.5kHz, Manual adjustment



Luminescence diffuse reflection sensors are optical sensors detecting luminophors in various materials by using UV light and thus trigger a switching operation. Luminophors are pigments, which are excited to emit light by UV light. This effect is used in various industrial applications. One example is the labeling of various materials such as bottles. Thereby, luminescence diffuse reflection sensors are used for detecting if there is a label on a bottle or not. Since paper contains luminophors, the sensor switches whenever there is a label within the UV light's detection range. If a bottle or any other product is not provided with a label, no switching operation is triggered, with the result that such products can be sorted out during an automated labelling.

#### Electrical features

Display	LED display
Type of switching function	Normally closed contact/normally open contact
Type of electrical connection	Connector M12
Type of switching output	PNP/NPN
Rated switching current	100 mA
Readiness delay	100 ms
Setting procedure	Manual adjustment
Short-circuit protection	Yes
No-load current	35 mA
Number of pins	5
Pulse length	10 µs
Switching frequency	1500 Hz
Protection class	II
Reverse polarity protection	Yes
Operating voltage (DC)	10 - 30 V
Measuring range	300 mm

**Mechanical features**

Design	Cuboid
Width	15 mm
Height	48 mm
Length	38 mm
Degree of protection (IP)	IP67
Active area material of sensor	glass
Housing material	Metal
Ambient temperature	-20 - 60 °C

**Optical features**

Lamp	LED
Light source	Ultraviolet
Luminescence detection	All visible luminescence
Nominal operating distance	300 mm
Light spot diameter at focal point	11 mm

**Other features**

Average nominal service life	100000 h
------------------------------	----------

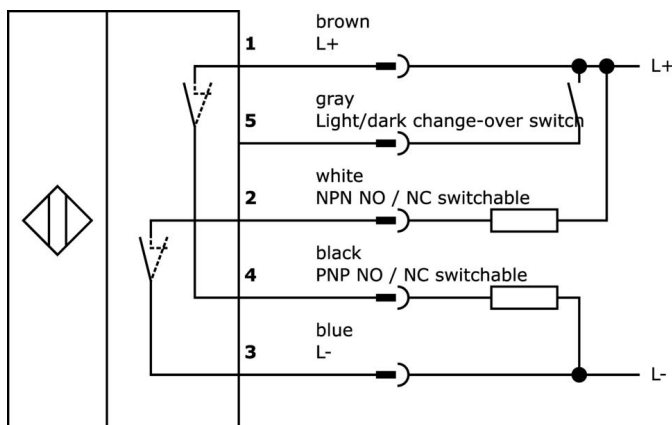
**Classification**

ETIM 8	EC001822 Luminescence scanner
--------	-------------------------------

**More**

IPF Product Group	102 luminescence diffuse reflection sensors
packaging dimensions	123 x 77 x 25 mm
gross weight	92 g
Customs tariff number	85365019
WEEE number	40951076
Reach-compliant	Yes
RoHS-compliant	Yes

**Connection**



**Extract accessories program**

**AY000119**



accessories sensor, Fixture kit,  
Metal, ball joint

**AY000162**



Accessories, magnetic, Ø43mm,  
neodymium-iron-boron, inside  
thread M5, rubber

**AY000071**



accessories sensor, Mounting  
angle bracket, 90x24x40mm,  
Angle, Stainless steel

**VK200621**



Connection cable, 2m, M12  
Female (socket) 5pin Angular, Free  
conductor end, 5x0.34mm<sup>2</sup>, PUR  
(Polyurethane), Ø5.4mm, 60V, -  
25-90°C, IP67, Suitable for trailing  
chain and torsion resistant, Oil and  
cooling lubricants, Welding area,  
Silicone-free

**VK200625**



Connection cable, 2m, M12  
Female (socket) 5pin Straight, Free  
conductor end, 5x0.34mm<sup>2</sup>, PUR  
(Polyurethane), Ø5.4mm, 60V, -  
25-90°C, IP67, Suitable for trailing  
chain and torsion resistant, Oil and  
cooling lubricants, Welding area,  
Silicone-free

**VK205621**



Connection cable, 2m, M12  
Female (socket) 5pin Angular, Free  
conductor end, 5x0.34mm<sup>2</sup>, PUR  
(Polyurethane), Ø6mm, 60V, -25-  
90°C, IP67, Shielded, Suitable for  
trailing chain and torsion resistant,  
Oil and cooling lubricants, Welding  
area, Silicone-free

**VK205625**



Connection cable, 2m, M12  
Female (socket) 5pin Straight, Free  
conductor end, 5x0.34mm<sup>2</sup>, PUR  
(Polyurethane), Ø6mm, 60V, -25-  
90°C, IP67, Shielded, Suitable for  
trailing chain and torsion resistant,  
Oil and cooling lubricants, Welding  
area, Silicone-...

**VK030F28**



Connection cable, 0.3m, M12  
socket 5-pin straight, M12  
connector 5-pin straight, 5-core,  
PUR (polyurethane), suitable for  
trailing chain and torsion resistant,  
oils and cooling lubricants,  
welding area, silicone-free

**VK060F28**



Connection cable, 0.6m, M12  
socket 5-pin straight, M12  
connector 5-pin straight, 5-core,  
PUR (polyurethane), suitable for  
trailing chain and torsion resistant,  
oils and cooling lubricants,  
welding area, silicone-free

You can find further accessories on our homepage



**Installation**

Mounting / installation may only be carried out by a qualified electrician!



**Disposal**

WEEE number according to § 6 para. 3  
ElektroG: 40951076

**Safety warnings**

/ Before initial operation, please make sure to follow all safety instructions that may be provided in the product information.

/ Never use these devices in applications where the safety of a person depends on their functionality.