

PE130170

Laser sensors • Through-beam sensors receivers

sensor laser, Through-beam sensor receiver, 64x14x12mm, aperture Ø0.5mm, Sn: 1.5m, 12-32V DC, PNP/NPN Push-pull, Connector M8 3pin, IP67, Brass Nickel-plated+Glass



Optical sensors function contactlessly. They detect objects independent of their characteristics (e.g., shape, color, surface structure, material). The basic operating principle is based on the transmission and reception of light. There are three different versions: 1. The through-beam sensor consists of two separate devices, a transmitter and a receiver that are aligned with one another. If the light beam between the two devices is interrupted, the switching output integrated in the receiver changes its status. 2. With the retro-reflective sensor, the transmitter and receiver are located in one device. The emitted light beam is reflected back to the receiver by a reflector that is to be mounted opposite the device. As soon as the light beam is interrupted, the switching output integrated in the device changes its status. 3. With the diffuse reflection sensor, the transmitter and receiver are in one device. The emitted light beam is reflected by the object that is to be detected. As soon as the receiver detects the reflected light, the switching output integrated in the device changes its status.

Electrical features

Display	LED display
Resolution	0.05 mm
Type of switching function	Normally open (NO for PNP) Normally closed (NC for NPN)
Type of electrical connection	Connector M8
Type of switching output	Push-pull
Rated switching current	100 mA
Short-circuit protection	Yes
No-load current	30 mA
No-load current, receiver	30 mA
Number of pins	3
Switching distance	0 - 1500 mm
Switching frequency	1000 Hz
Voltage drop	2 V
Scanning function	Light-/dark-on mode
Reverse polarity protection	Yes
Absolute repeat accuracy	0.005 mm
Operating voltage (DC)	12 - 32 V

Mechanical features

Design	Cuboid
Aperture diameter	0.5 mm
Width	12 mm
Height	64 mm
Storage temperature	85 °C
Length	14 mm
Surface	nickel-plated
Degree of protection (IP)	IP67
Active area material of sensor	glass
Housing material	Brass
Ambient temperature	-20 - 50 °C

Optical features

Filter	Interference filter
Light beam form	Point
Wavelength of the sensor	670 nm

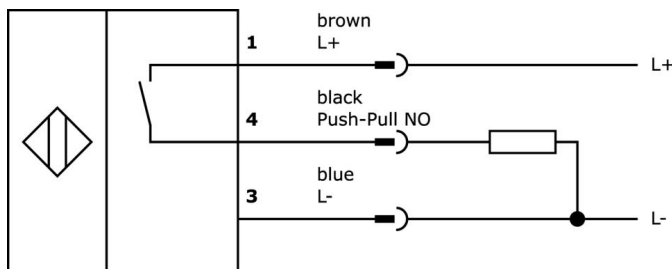
Classification

ETIM 8	EC002716 Through-beam photoelectric sensor
--------	--

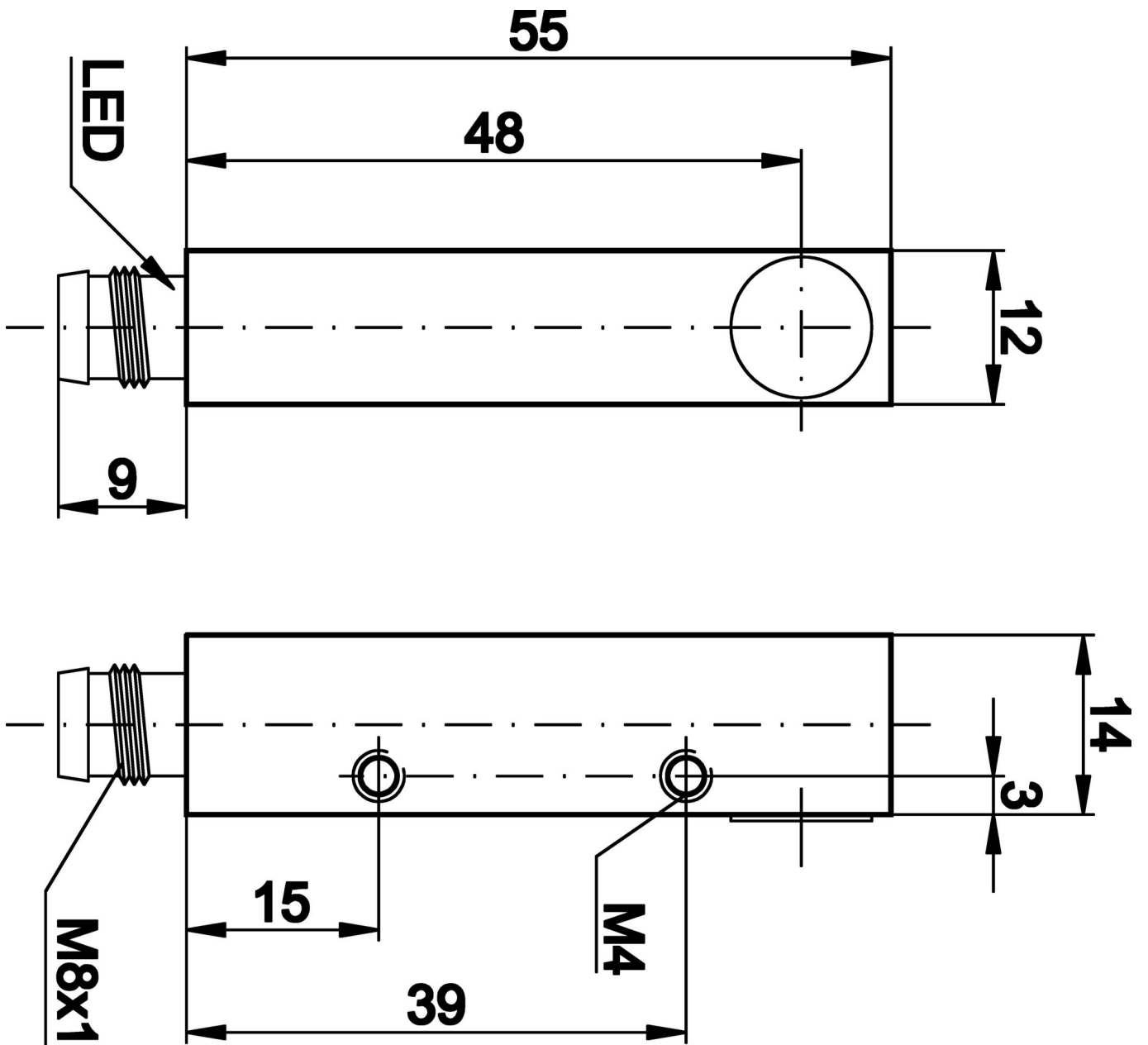
More

IPF Product Group	160 laser sensor
packaging dimensions	123 x 77 x 25 mm
gross weight	50 g
Customs tariff number	85365019
WEEE number	40951076
POP-compliant	Yes
Reach-compliant	Yes
RoHS-compliant	Yes
MTTF	3 year(s)

Connection



Dimensional drawing



Extract accessories program

AY000119



accessories sensor, Fixture kit,
Metal, ball joint

AY000162



Accessories, magnetic, Ø43mm,
neodymium-iron-boron, inside
thread M5, rubber

AP000019



accessories laser, Mounting angle
bracket, 29x55x32mm, Precision
bracket, Aluminum

AP000020



accessories laser, Flange,
14x55x32mm, Mounting material
and precision flange, Aluminum

VK003070



Cable socket, Angular, Suitable for
self-assembly, Soldering
connection, Ø3.5-5mm, 4A, 60V, -
40-85°C, M8 Female (socket) 3pin,
IP67, Brass

VK003074



Cable socket, Straight, Suitable for
self-assembly, Soldering
connection, Ø3.5-5mm, 4A, 60V, -
40-85°C, M8 Female (socket) 3pin,
IP67, Brass

VK030F82



Connection cable, 0.3m, M8
socket 3-pin angular, M12
connector 3-pin straight, 3x0.
34mm², PUR (polyurethane), IP67,
LED, suitable for trailing chain and
torsion resistant, oils and cooling
lubricants, welding area, silicone-
free

VK060F82



Connection cable, 0.6m, M8
socket 3-pin angular, M12
connector 3-pin straight, 3x0.
34mm², PUR (polyurethane), IP67,
LED, suitable for trailing chain and
torsion resistant, oils and cooling
lubricants, welding area, silicone-
free

VK030F72



Connection cable, 0.3m, M8
socket 3-pin angular, M8
connector 3-pin straight, 3x0.
34mm², PUR (polyurethane), IP67,
LED, suitable for trailing chain and
torsion resistant, oils and cooling
lubricants, welding area, silicone-
free

You can find further accessories on our homepage



Installation

Mounting / installation may only be carried
out by a qualified electrician!



Disposal

WEEE number according to § 6 para. 3
ElektroG: 40951076

Safety warnings

/ Before initial operation, please make sure to follow all safety instructions that may be provided in the product information.

/ Never use these devices in applications where the safety of a person depends on their functionality.