

## PG400146

### Laser sensors • Forked light barrier

sensor laser, fork, 100x24x90mm, fork width 40mm, 15-30V DC, 3x Push-pull NC/NO, 4-20 mA, Plug-in connection 8pin, IP54, Aluminum+Glass, Red light, Parameterization



Special design of through-beam sensor. Transmitter and receiver are located in the fork or angular limbs and are perfectly aligned to each other.

#### Electrical features

Number of switching outputs	3
Resolution	0.008 mm
Type of the forked light barrier	Standard
Type of switching function	Normally closed contact/normally open contact
Type of analog output	0 - 10V   4 - 20mA
Type of electrical connection	Plug-in connection
Type of switching output	Push-pull
Rated switching current	100 mA
Setting procedure	Parameterization
No-load current	120 mA
Number of pins	8
Repeatability +/-	8 µm
Protection class	III
Scanning function	Light-/dark-on mode
Type of plug-in contact, communication interface	Female (socket)
Type of plug-in connection, communication interface	Connector M5
Number of pins of interface connection	4
Supported communication interface	RS232
Operating voltage (DC)	15 - 30 V

**Mechanical features**

Design	Cuboid
Fork light barrier design	Furcate
Width	90 mm
Fork depth	40 mm
Fork width	40 mm
Height	100 mm
Length	24 mm
Degree of protection (IP)	IP54
Active area material of sensor	glass
Housing material	Aluminum
Diameter detection	Yes
Ambient temperature	-10 - 50 °C

**Optical features**

Aperture width	16 mm
Aperture length	1 mm
Line field width	1
Laser class	Class 1
Light source	red light
Light beam form	Line
Line field length	16
Wavelength of the sensor	670 nm

**Other features**

Feeding technology	Yes
ardTE00_Anwendungen	Bahnkantenregelung Messung der Lichtstrahlabdeckung

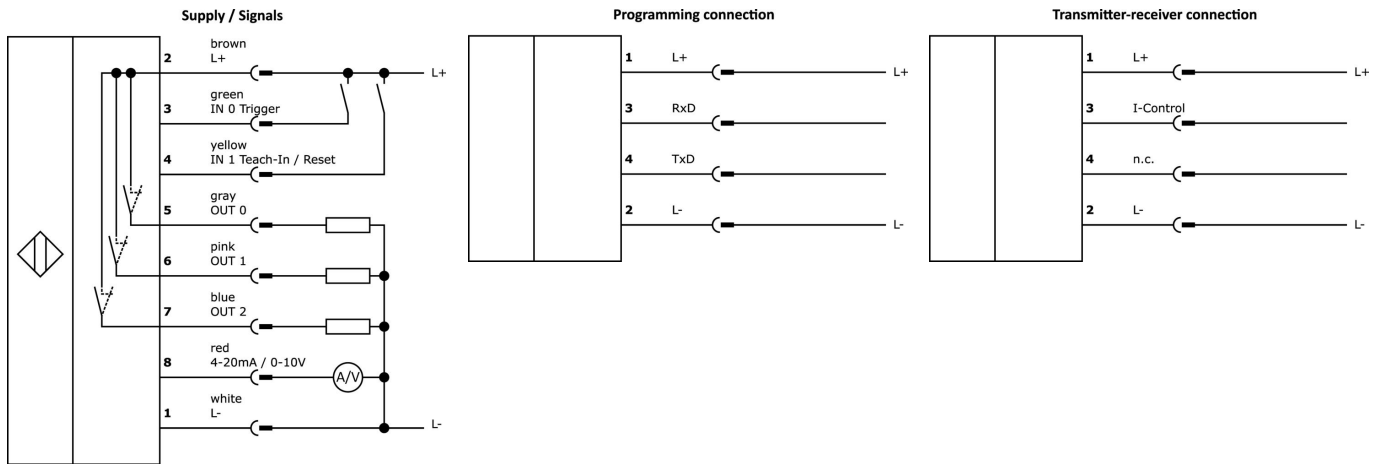
**Classification**

ETIM 8	EC002720 Fork light barrier
--------	-----------------------------

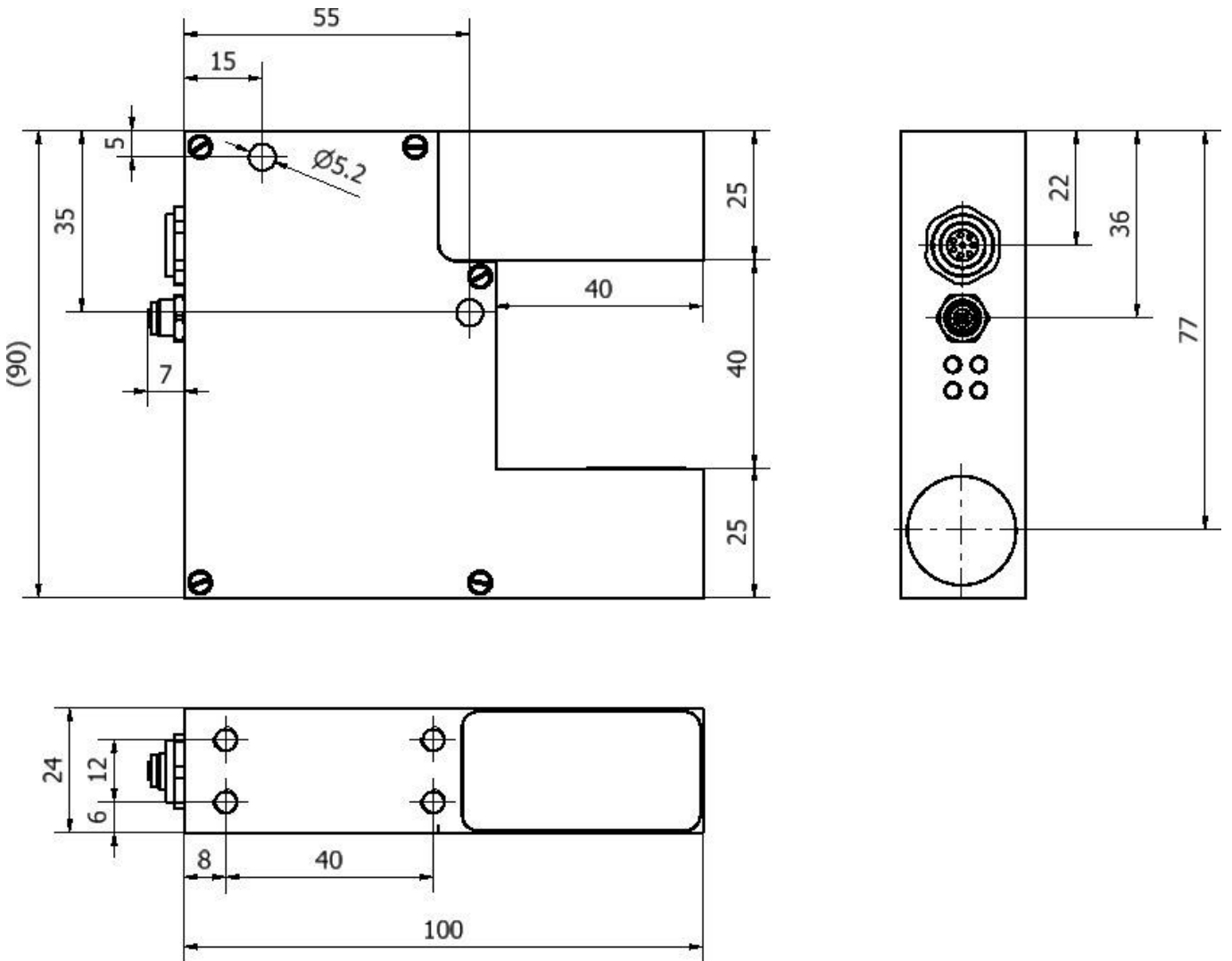
**More**

IPF Product Group	165 laser line sensors
packaging dimensions	210 x 138 x 95 mm
gross weight	353 g
Customs tariff number	85365019
WEEE number	40951076
POP-compliant	Yes
Reach-compliant	Yes
RoHS-compliant	Yes

**Connection**



**Dimensional drawing**



**Extract accessories program**

**VK000053**



Screw plug, M5, Plastic, Black

**VK207B41**



Connection cable, 2m, M9 connector 8-pin angular, free cable end, 8x0.14mm<sup>2</sup>, PUR (polyurethane), 125V, IP67, shielded, oils and cooling lubricants, welding area

**VK207B45**



Connection cable, 2m, M9 Male (connector) 8pin Straight, Free conductor end, 8x0.14mm<sup>2</sup>, PUR (Polyurethane), 125V, IP67, Shielded, Oil and cooling lubricants, Welding area

**VK207F44**



Connection cable RS232/Sub-D, 2m, M5 Male (connector) Straight, D-Sub Male (connector) 9pin Straight, PUR (Polyurethane)

**VK207U40**



Connection cable RS232/USB, 2m, M5 Male (connector) Angular, USB-A Male (connector) Straight, PUR (Polyurethane)

**VK207U44**



Connection cable RS232/USB, 2m, M5 Male (connector) Straight, USB-A Male (connector) Straight, PUR (Polyurethane)

**VKSI0297**



Connection cable RS232/Ethernet, 0.5m, M5 Male (connector) 4pin Straight, M12 Male (connector) 4pin Straight, D-coding, PUR (Polyurethane), Aluminum

You can find further accessories on our homepage



**Installation**

Mounting / installation may only be carried out by a qualified electrician!



**Disposal**

WEEE number according to § 6 para. 3 ElektroG: 40951076

**Safety warnings**

/ Before initial operation, please make sure to follow all safety instructions that may be provided in the product information.

/ Never use these devices in applications where the safety of a person depends on their functionality.

/ Any software, drivers or IODD files that may be required to operate your device can be downloaded free of charge from our homepage: [www.ipf-electronic.com](http://www.ipf-electronic.com)