

PK170020

Laser sensors • Contrast sensor

sensor laser, contrast, 50x50x15mm, Sn: 0-250, 12-30V DC, 4-20mA, Connector M12 4pin, Zinc die-cast



Contrast scanners are capable to distinguish the the visual differences (e.g. reflectivity, brightness differences) between adjacent areas. In general, the devices project a light spot on an object's surface and analyze the reflected light. Fiber optic amplifier versions can be used in addition to the incident light mode also in the transmitted light mode. Contrast scanners are versatile. They can be used, among other things, for position control of printing or color marks, distinction of brightness variations or in the intensity control of luminous objects (like LEDs, displays etc.).

Electrical features

Display	LED display
Type of analog output	4 - 20mA
Type of electrical connection	Connector M12
Rated switching current	200 mA
Short-circuit protection	Yes
Number of pins	4
Switching distance	0 - 250 mm
Voltage drop	2 V
Reverse polarity protection	Yes
Operating voltage (DC)	12 - 30 V

Mechanical features

Design	Cuboid
Width	15.4 mm
Height	50 mm
Length	50 mm
Housing material	Zinc die-cast
Ambient temperature	-10 - 50 °C

Optical features

Laser class	Class 1
Light beam form	Point
Wavelength of the sensor	650 nm

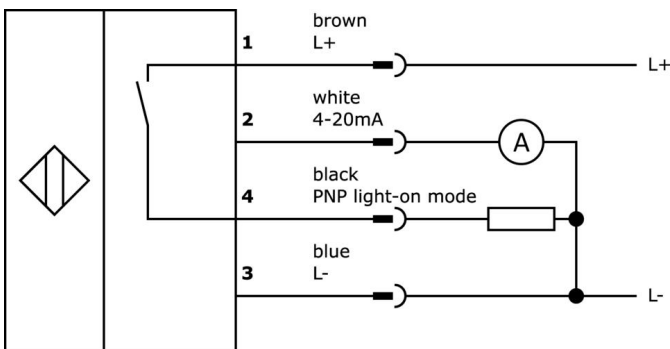
Classification

ETIM 8	EC001820 Contrast scanner
--------	---------------------------

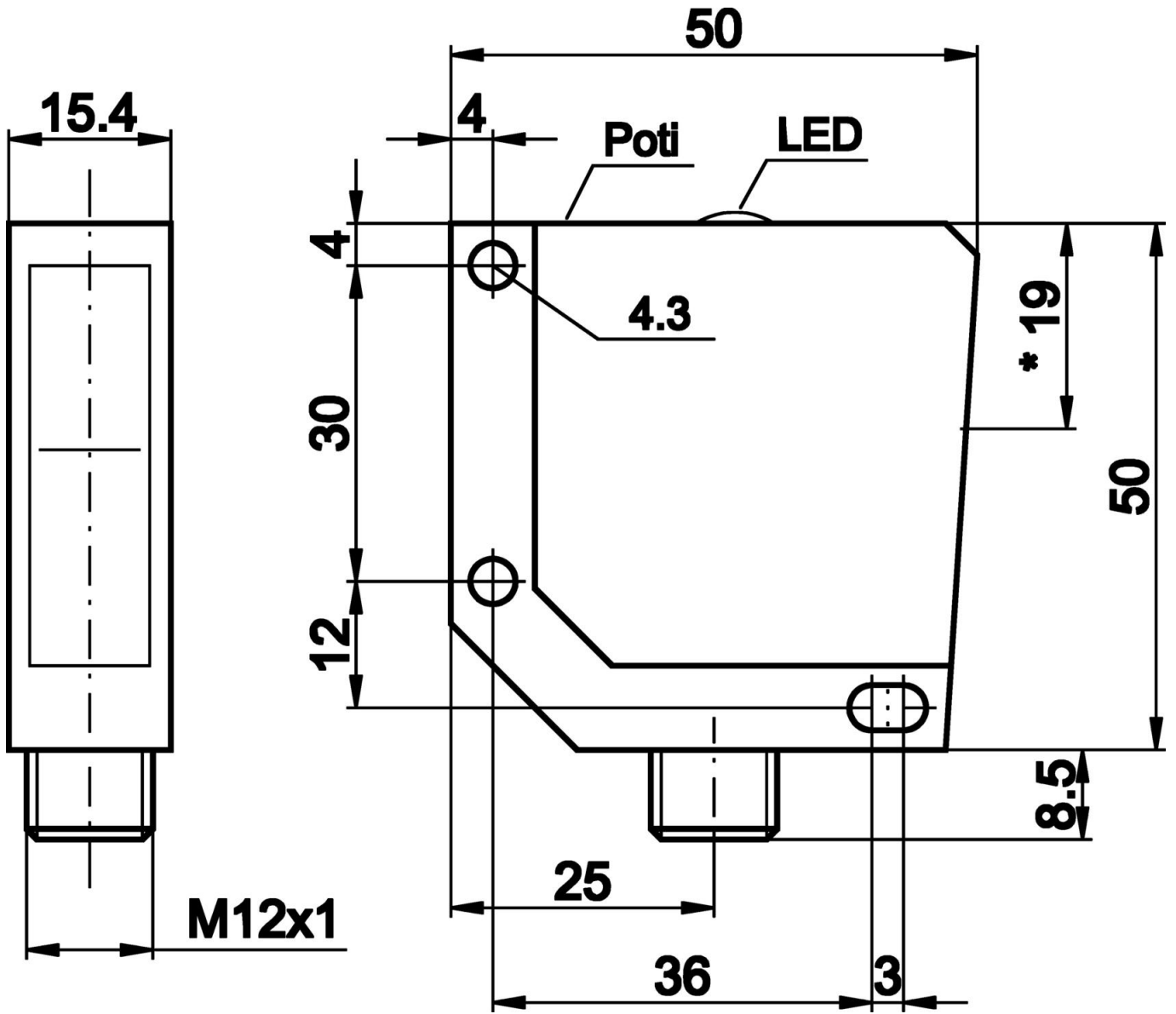
More

IPF Product Group	168 laser contrast readers
packaging dimensions	123 x 77 x 25 mm
gross weight	120 g
Customs tariff number	85365019
WEEE number	40951076
OzDS-compliant	Yes
POP-compliant	Yes
Reach-compliant	Yes
RoHS-compliant	Yes

Connection



Dimensional drawing



Extract accessories program

AV000084



accessories, Mounting angle bracket, 50x30x84mm, Angle, Steel

AY000119



accessories sensor, Fixture kit, Metal, ball joint

AY000162



Accessories, magnetic, Ø43mm, neodymium-iron-boron, inside thread M5, rubber

VK200321



Connection cable, 2m, M12 Female (socket) 4pin Angular, Free conductor end, 4x0.34mm², PUR (Polyurethane), Ø4.7mm, 250V, -40-90°C, IP67, Suitable for trailing chain and torsion resistant, Oil and cooling lubricants, Welding area, Silicone-free

VK200325



Connection cable, 2m, M12 Female (socket) 4pin Straight, Free conductor end, 4x0.34mm², PUR (Polyurethane), Ø4.7mm, 250V, -40-90°C, IP67, Suitable for trailing chain and torsion resistant, Oil and cooling lubricants, Welding area, Silicone-free

VK205321



Connection cable, 2m, M12 Female (socket) 4pin Angular, Free conductor end, 4x0.34mm², PUR (Polyurethane), Ø5.5mm, 250V, -25-90°C, IP67, Shielded, Suitable for trailing chain and torsion resistant, Oil and cooling lubricants, Welding area, Silicon...

VK205325



Connection cable, 2m, M12 Female (socket) 4pin Straight, Free conductor end, 4x0.34mm², PUR (Polyurethane), Ø5.5mm, 250V, -25-90°C, IP67, Shielded, Suitable for trailing chain and torsion resistant, Oil and cooling lubricants, Welding area, Silico...

VK030F21



Connection cable, 0.3m, M12 socket 4-pin angular, M12 connector 4-pin straight, 4x0.34mm², 240V, IP67, suitable for trailing chain and torsion resistant, oils and cooling lubricants, welding area, silicone-free

VK030F25



Connection cable, 0.3m, M12 socket 4-pin straight, M12 connector 4-pin straight, 4x0.34mm², PUR (polyurethane), 240V, IP67, suitable for trailing chain and torsion resistant, oils and cooling lubricants, welding area, silicone-free

You can find further accessories on our homepage



Installation

Mounting / installation may only be carried out by a qualified electrician!



Disposal

WEEE number according to § 6 para. 3 ElektroG: 40951076

Safety warnings

/ Before initial operation, please make sure to follow all safety instructions that may be provided in the product information.

/ Never use these devices in applications where the safety of a person depends on their functionality.