

PK430170

Laser sensors • Contrast sensor

Sensor laser, contrast, 43x32x15mm, Sn: 20-300, 10-30V DC, 4-pin, PMMA



Contrast scanners are capable to distinguish the the visual differences (e.g. reflectivity, brightness differences) between adjacent areas. In general, the devices project a light spot on an object's surface and analyze the reflected light. Fiber optic amplifier versions can be used in addition to the incident light mode also in the transmitted light mode. Contrast scanners are versatile. They can be used, among other things, for position control of printing or color marks, distinction of brightness variations or in the intensity control of luminous objects (like LEDs, displays etc.).

Electrical features

Number of switching outputs	1
Display	LED display
Type of switching function	Normally open contact (NO)
Type of electrical connection	Connector M8
Type of switching output	PNP
Rated switching current	100 mA
Setting procedure	Teach-In
Short-circuit protection	Yes
No-load current	50 mA
Number of pins	4
Switching distance	20 - 300 mm
Voltage drop	2.2 V
Reverse polarity protection	Yes
Operating voltage (DC)	10 - 30 V

Mechanical features

Design	Cuboid
Width	14.8 mm
Height	43 mm
Length	32.5 mm
Maximum tightening torque	0.8 Nm
Degree of protection (IP)	IP67
Active area material of sensor	Plastic (PMMA)
Housing material	PA 12
Ambient temperature	-10 - 50 °C

Optical features

Laser class	Class 2
Light source	Laser diode, red light
Light beam form	Point
Wavelength of the sensor	650 nm
focus	115 mm

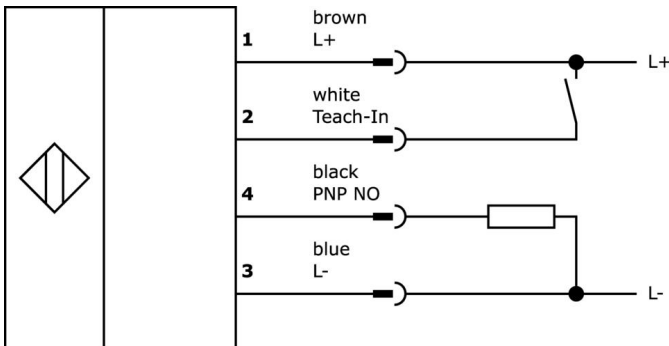
Classification

ETIM 8	EC001820 Contrast scanner
--------	---------------------------

More

IPF Product Group	168 laser contrast readers
packaging dimensions	123 x 77 x 25 mm
gross weight	35 g
Customs tariff number	85365019
WEEE number	40951076
OzDS-compliant	Yes
POP-compliant	Yes
Reach-compliant	Yes
RoHS-compliant	Yes

Connection



Extract accessories program

AY000120



Accessories sensor, mounting kit, metal, ball joint

AY000162



Accessories, magnetic, Ø43mm, neodymium-iron-boron, inside thread M5, rubber

AO000082



accessories optical, Mounting angle bracket, 55x26x36mm, Angle, Steel

VK200371



Connection cable, 2m, M8 Female (socket) 4pin Angular, Free conductor end, 4x0.34mm², PUR (Polyurethane), Ø4.7mm, 30V, -30-90°C, IP67, Suitable for trailing chain and torsion resistant, Oil and cooling lubricants, Welding area, Silicone-free

VK200375



Connection cable, 2m, M8 Female (socket) 4pin Straight, Free conductor end, 4x0.34mm², PUR (Polyurethane), Ø4.7mm, 30V, -30-90°C, IP67, Suitable for trailing chain and torsion resistant, Oil and cooling lubricants, Welding area, Silicone-free

VK003071



Cable socket, Angular, Suitable for self-assembly, Soldering connection, Ø3.5-5mm, 4A, 30V, -40-85°C, M8 Female (socket) 4pin, IP67, Brass

VK003075



Cable socket, Straight, Suitable for self-assembly, Soldering connection, Ø3.5-5mm, 4A, 30V, -40-85°C, M8 Female (socket) 4pin, IP67, Brass

VK030F71



Connection cable, 0.3m, M8 socket 4-pin angular, M8 connector 4-pin straight, 4-core, PUR (polyurethane), suitable for trailing chain and torsion resistant, oils and cooling lubricants, welding area, silicone-free

VK030F75



Connection cable, 0.3m, M8 socket 4-pin straight, M8 connector 4-pin straight, 4-core, PUR (polyurethane), suitable for trailing chain and torsion-resistant, oils and cooling lubricants, welding area, silicone-free

You can find further accessories on our homepage



Installation

Mounting / installation may only be carried out by a qualified electrician!



Disposal

WEEE number according to § 6 para. 3 ElektroG: 40951076

Safety warnings

/ Before initial operation, please make sure to follow all safety instructions that may be provided in the product information.

/ Never use these devices in applications where the safety of a person depends on their functionality.