

PP98E047

laser pointer • Line

laser pointer, M18x1 136long, Line, 90°, Laser diode, green light, 532nm, 5-30V DC, Connector M12, IP67, Brass Chrome-plated, 3mW, focus 200-50000mm

including Nut



Electrical features

| | |
|-------------------------------|--|
| Type of electrical connection | Connector M12 |
| Laser power | 3 mW |
| Temperature drift | ±5 % Performance stability over the entire temperature range |
| Reverse polarity protection | Yes |
| Operating voltage (DC) | 5 - 30 V |

Mechanical features

| | |
|---------------------------|---------------|
| Diameter | 20 mm |
| Thread length | 42 mm |
| Thread pitch | 1 mm |
| Storage temperature | -20 - 60 °C |
| Length | 136 mm |
| Surface | Chrome-plated |
| Degree of protection (IP) | IP67 |
| Housing material | Aluminum |
| Thread dimension | M18 |
| Ambient temperature | 45 °C |

Optical features

| | |
|--------------------------|--------------------------|
| Laser class | Class 1M |
| Light source | Laser diode, green light |
| Light beam form | Line |
| Wavelength of the sensor | 532 nm |
| Angle of beam spread | 90 ° |
| focus | 200 - 50000 mm |

Other features

| | |
|---------------------------------|-----------|
| Temperature drift of wavelength | 0.06 nm/K |
|---------------------------------|-----------|

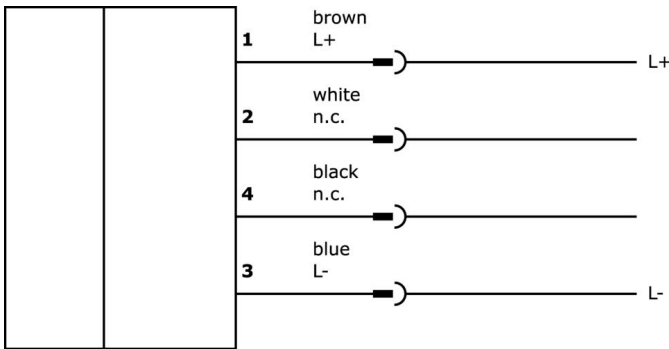
Classification

| | |
|--------|--------------------------|
| ETIM 8 | EC000641 Measuring laser |
|--------|--------------------------|

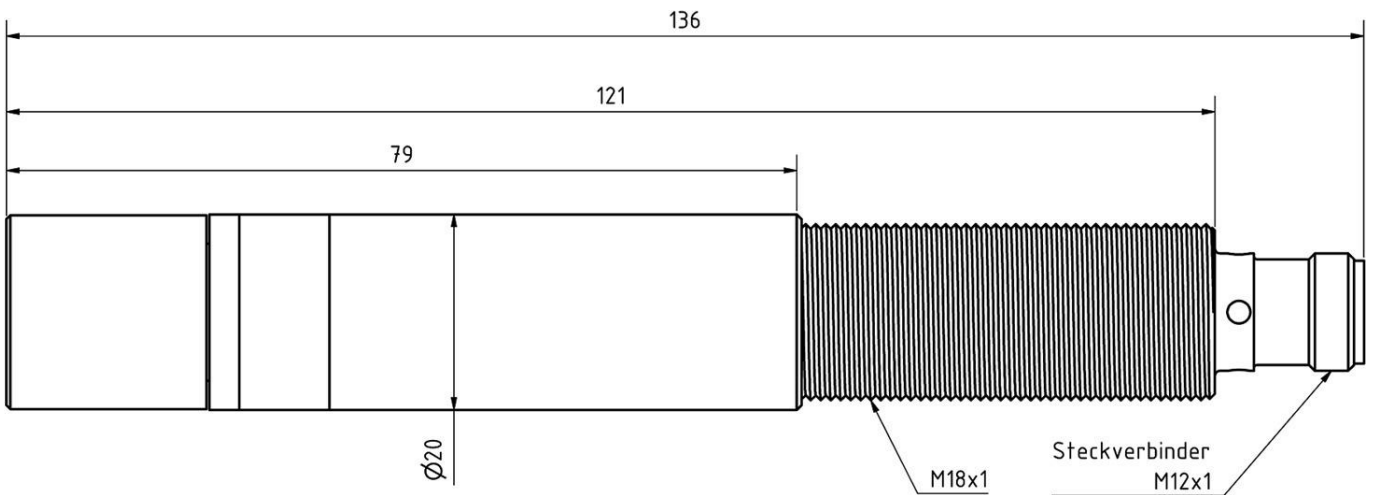
More

| | |
|-----------------------|---------------------|
| IPF Product Group | 163 Laser (various) |
| packaging dimensions | 175 x 113 x 35 mm |
| gross weight | 166 g |
| Customs tariff number | 90319000 |
| WEEE number | 40951076 |
| Reach-compliant | Yes |
| RoHS-compliant | Yes |

Connection



Dimensional drawing



Extract accessories program

AY000162



Accessories, magnetic, Ø43mm, neodymium-iron-boron, inside thread M5, rubber

AY000159



accessories sensor, Mounting pipe, Ø12mm 200long, Aluminum Anodised

VK003020



Cable socket, angular, self-assembly, screw connection, Ø3-6.5mm, 4A, 240V, -25-90°C, M12 socket 4-pin, IP67, PBT

VK003024



Cable socket, Straight, Suitable for self-assembly, Screw connection, Ø3-6.5mm, 4A, 240V, -25-90°C, M12 Female (socket) 4pin, IP67, PBT

AY000117



accessories sensor, Fixture kit, Metal, ball joint

VK000037



Adaption, M12 Female (socket) 3pin Straight, M8 Male (connector) 3pin Straight, 24V, -25-85°C, IP67, Oil and cooling lubricants, Welding area

AY000025



accessories, Hexagon nut, M12x1, Wrench size 17mm, Brass Nickel-plated

AY000032



accessories sensor, Ø12mm, Aluminum, For sensor 12mm, for Wall mounting, Screw mounting

AY000026



accessories, Hexagon nut, M18x1, Wrench size 24mm, Brass Nickel-plated

You can find further accessories on our homepage



Installation

Mounting / installation may only be carried out by a qualified electrician!



Disposal

WEEE number according to § 6 para. 3 ElektroG: 40951076

Safety warnings

- / Before initial operation, please make sure to follow all safety instructions that may be provided in the product information.
- / Never use these devices in applications where the safety of a person depends on their functionality.