

PT740021

LASER SENSORS • LIGHT SECTION SENSORS

sensor laser, diffuse-reflection sensor, 85x55x26mm, Sn:100-500mm, Resolution 20µm, Triangulation, 15-28V DC, 0-10V/4-20mA, Connector M12 8pin, IP67, Aluminum+Glass, Laser diode, red light, Parameterization



MECHANICAL FEATURES

Ambient temperature	-10 °C ... 50 °C
Degree of protection (IP)	IP67
Design	Cuboid
Housing material	Aluminum
Material of optical surface	Glass
Sensor height	85 mm
Sensor length	55 mm
Sensor width	26 mm
Storage temperature	-25 °C ... 75 °C
Volume	Large

ELECTRICAL FEATURES

Absolute linearity deviation	0.1 mm
Absolute repeat accuracy	20 µm
Alarm output	+
Decay time	1.3 ms
Equipment protection class	Protection class 3
Linearity deviation	0.1 mm ... 0.1 mm
Measuring method for optical distance measurement	Triangulation
Measuring range length	100 mm ... 500 mm
No-load current	120 mA
Number of pins	8
Number of switching outputs	1
Operating voltage	15 V ... 28
Range	500 mm
Rated switching current	100 mA
Response time	1.3 ms
Response/decay time	1.3 ms
Reverse polarity protection	+
Scanning principle	Reflection sensor
Setting procedure	Parameterization
Short-circuit protection	+
Type of alarm output	PNP/NPN

ELECTRICAL FEATURES

Type of analog output	0 V ... 10 V / 4 mA ... 20 mA
Type of electrical connection	Connector M12
Type of plug-in contact, communication interface	Male (plug)
Type of plug-in contact, communication interface	Male (plug)
Voltage type	DC
With LED display	+

OPTICAL FEATURES

Light source	Laser diode, red light
Wavelength of the sensor	660 nm
Resolution	20 μ m
Light section sensors	+
Laser class	Class 2

OTHER FEATURES

Relative linearity deviation	0.02 %
------------------------------	--------

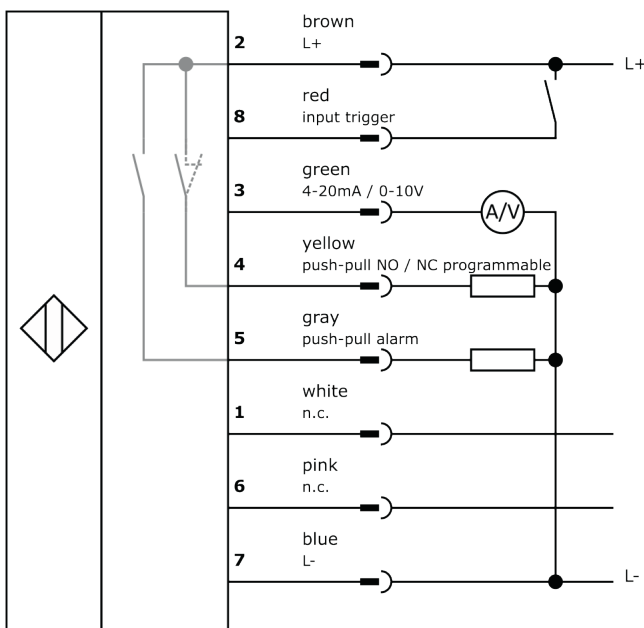
Other

Packaging dimensions	99.0mm x 60mm x 160mm
Shipping weight	0.22kg
Tariff code	85365019

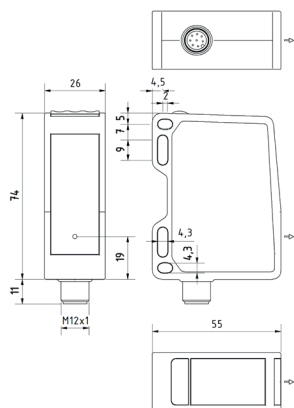
Classification

ipf product group	169
eClass 8.0	27270801
eClass 9.0	27270801
eClass 9.1	27270801
ETIM-5.0	EC001825
ETIM-6.0	EC001825
ETIM-7.0	EC001825

Connection



Dimensional drawing



Installation



Mounting / installation may only be carried out by a qualified electrician!

Disposal



Safety warnings

Before initial operation, please make sure to follow all safety instructions that may be provided in the product information. Never use these devices in applications where the safety of a person depends on their functionality. LED lighting systems can generate intensive UV radiation, which can damage your eyes in case of improper use. The manufacturer cannot be held responsible for damages that result from improper use or connection.