

PTQ80475

Laser sensors • Diffuse reflection sensors with background suppression

Sensor laser, diffuse reflection sensor, 25x16x8mm, Sn: 20-120, 10-30V DC, 1x PNP exclusive-OR, M8 plug connector 4-pin 0.2m PVC, IP67, plastic ASA+PMMA, 250Hz, laser diode, red light, line, teach-in

- / very narrow laser line
- / plastic housing
- / Negative pressure of mutual interference
- / M8 plug connection



background suppression Laser class 1

Optical sensors work contactless. They detect objects regardless of their properties (e.g. shape, color, surface structure, material). The basic mode of operation is based on the transmitter and receiver of light. There are three different versions: 1. the through-beam sensor consists of two separate devices, a transmitter and a receiver, which are aligned with each other. If the light beam between the two devices is interrupted, the switching output integrated in the receiver changes its status. 2. in the reflex light barrier, the transmitter and receiver are located in one device. The transmitted light beam is reflected onto the receiver by a reflector to be mounted opposite. As soon as the light beam is interrupted, the switching output integrated in the device changes its status. 3. the diffuse reflection sensor has a transmitter and receiver in one device. The transmitted light beam is reflected by the object to be detected. As soon as the receiver detects the reflected light, the switching output integrated in the device changes its status.

Electrical features

Response/decay time	2 ms
Display	LED display
Type of switching function	Exclusive-OR
Type of electrical connection	Cable connector M8
Type of switching output	PNP
Rated switching current	50 mA
Setting procedure	Teach-In
Short-circuit protection	Yes
No-load current	20 mA
Number of pins	4
Reaction time	2 ms
Switching distance	20 - 120 mm
Switching frequency	250 Hz
Voltage drop	2 V
Scanning function	Light-/dark-on mode
Reverse polarity protection	Yes
Decay time	2 ms
Operating voltage (DC)	10 - 30 V
Dead zone	0 - 3
Interference suppression	Yes
Light spot width at the end of the measuring range	2 mm

Mechanical features

Number of cores	4
Conductor cross-section	0.08 mm ²
Design	Cuboid
Width	8 mm
Height	25.1 mm
Cable length	0.2 m
Length	15.8 mm
Degree of protection (IP)	IP67
Active area material of sensor	Plastic (PMMA)
Housing material	Plastic ASA
Material of cable sheath	Plastic (PVC)
Ambient temperature	-25 - 50 °C

Optical features

Laser class	Class 1
Light source	Laser diode, red light
Light beam form	Line
Wavelength of the sensor	680 nm
Light spot length at focal point	25 mm
Focus distance	60 mm
Light spot width at focal point	0.4 mm
Light spot width at the start of the measuring range	2 mm
Light spot length at the start of the measuring range	0.2 mm
Light spot length at start of measuring range	55 mm
Light spot width at the end of the measuring range	2 mm

Other features

Operational mode	Background suppression
Reference medium / object	Material with 90% reflectivity

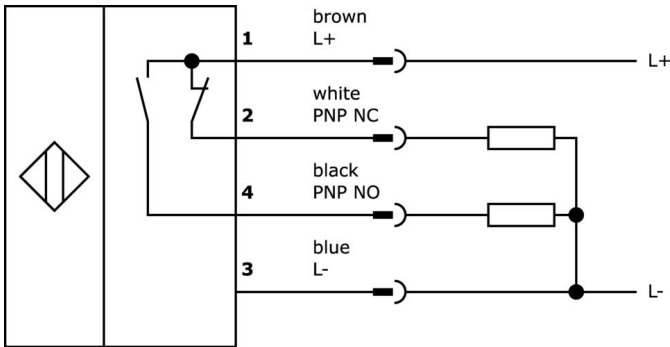
Classification

ETIM 8	
--------	--

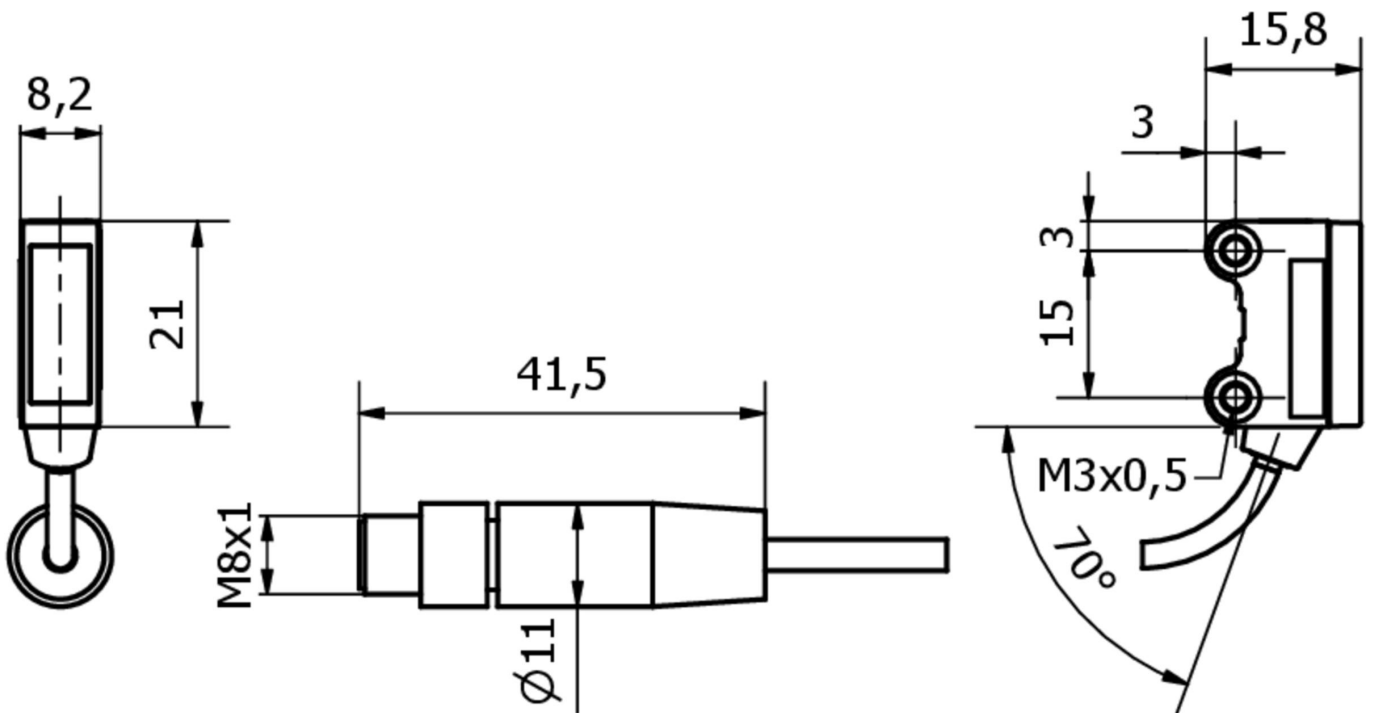
More

IPF Product Group	160 laser sensor
packaging dimensions	123 x 77 x 25 mm
gross weight	
Customs tariff number	85365019
WEEE number	40951076
Reach-compliant	Yes
RoHS-compliant	Yes

Connection



Dimensional drawing



Extract accessories program

VK003071



Cable socket, Angular, Suitable for self-assembly, Soldering connection, Ø3.5-5mm, 4A, 30V, -40-85°C, M8 Female (socket) 4pin, IP67, Brass

VK003075



Cable socket, Straight, Suitable for self-assembly, Soldering connection, Ø3.5-5mm, 4A, 30V, -40-85°C, M8 Female (socket) 4pin, IP67, Brass

AO000075



accessories optical, Mounting angle bracket, M3x0.5 12long, Mounting material for sensor brackets, Steel

AO000076



accessories optical, Mounting angle bracket, M3x0.5 13long, Mounting material for sensor brackets, Steel

AY000141



Plastic sheath, Ø17mm, Inner diameter 10mm, -40-250°C, Glass fiber with silicone rubber, Short-term resistance to weld spatter 1200°C, Tensile strength 400N, Flexible, Flame retardant, yard good

VK200371



Connection cable, 2m, M8 Female (socket) 4pin Angular, Free conductor end, 4x0.34mm², PUR (Polyurethane), Ø4.7mm, 30V, -30-90°C, IP67, Suitable for trailing chain and torsion resistant, Oil and cooling lubricants, Welding area, Silicone-free

VK200375



Connection cable, 2m, M8 Female (socket) 4pin Straight, Free conductor end, 4x0.34mm², PUR (Polyurethane), Ø4.7mm, 30V, -30-90°C, IP67, Suitable for trailing chain and torsion resistant, Oil and cooling lubricants, Welding area, Silicone-free

You can find further accessories on our homepage



Installation

Mounting / installation may only be carried out by a qualified electrician!



Disposal

WEEE number according to § 6 para. 3 ElektroG: 40951076

Safety warnings

/ Before initial operation, please make sure to follow all safety instructions that may be provided in the product information.

/ Never use these devices in applications where the safety of a person depends on their functionality.