

PV98A840

Laser sensors • Switching amplifiers

amplifier laser, 30x10x75mm, 12-24V DC, PNP Normally open/normally closed, 0-10V, Cable 2m, Plastic, With LED display



Electrical features

Number of channels	1
Display	LED display
Type of switching function	Normally closed contact/normally open contact
Type of analog output	0 - 10V
Type of electrical connection	Cable
Type of switching output	PNP
Turn-off delay	0,001 - 9,9 ms
Rated switching current	100 mA
Turn-on delay	0 - 10 s
Short-circuit protection	Yes
No-load current	40 mA
Power consumption	0.94 VA
Switching capacity	4.8 VA
Switching voltage	24 V
Switching voltage DC	24 V
Operating voltage (DC)	12 - 24 V
Amplifier for laser sensor	Yes

Mechanical features

Design	Cuboid
Width	75 mm
Height	30 mm
Cable length	2 m
Length	10 mm
Mounting method	Floor fastening
Housing material	Plastic
Ambient temperature	-20 - 70 °C
Line diameter	1.45 mm

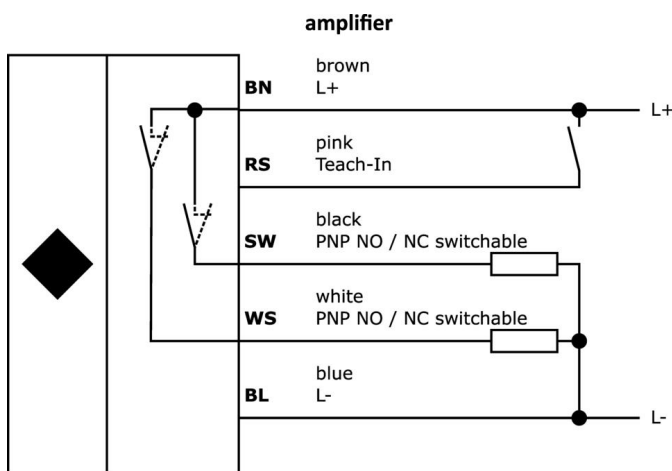
Classification

ETIM 8	EC001485 Isolation amplifier
--------	------------------------------

More

IPF Product Group	160 laser sensor
packaging dimensions	149 x 124 x 28 mm
gross weight	140 g
Customs tariff number	85365019
WEEE number	40951076
OzDS-compliant	Yes
POP-compliant	Yes
Reach-compliant	Yes
RoHS-compliant	Yes

Connection



Extract accessories program

AY000141



Plastic sheath, Ø17mm, Inner diameter 10mm, -40-250°C, Glass fiber with silicone rubber, Short-term resistance to weld spatter 1200°C, Tensile strength 400N, Flexible, Flame retardant, yard good

You can find further accessories on our homepage



Installation

Mounting / installation may only be carried out by a qualified electrician!



Disposal

WEEE number according to § 6 para. 3 ElektroG: 40951076

Safety warnings

/ Before initial operation, please make sure to follow all safety instructions that may be provided in the product information.

/ Never use these devices in applications where the safety of a person depends on their functionality.