

PY930902

Motion and presence detectors • Laser curtain

sensor laser, Motion sensor/presence sensor, 70x93x125mm, 10-35V DC, -30-60°C, 2x Relay contact, Cable 10m, IP65, Plastic PC



Radar sensors are used primarily as signal transducers for controlling automatic doors and gates. They detect the movement of persons and/or industrial trucks and, at the same time, are insensitive to soiling. Objects can be detected depending on their movement direction in order to optimize the opening cycles of the gates. In doing so, it is possible to mask out people so that the sensor responds only when vehicles approach. Furthermore, it is possible to eliminate interference caused by moving objects within the detection range of the sensor. Systems that are also equipped with presence detection monitor the area in front of a gate in order to prevent the gate leaf from coming into contact with vehicles or objects.

Electrical features

Response/decay time	20 ms
Number of switching outputs	2
Display	LED display
Type of switching function	Normally closed contact/normally open contact
Type of electrical connection	Cable
Type of switching output	Relay contact
Rated switching current	80 mA
Setting procedure	Parameterization via remote control
Power consumption	5 VA
Reaction time	80 ms
Switching voltage	24 V
Operating voltage (DC)	10 - 35 V

Mechanical features

Number of cores	10
Width	125 mm
Height	70 mm
Mounting height	10000 mm
Cable length	10 m
Length	93 mm
Mounting method	Surface mounted (plaster)
Inclination angle	-3 - 3 °
Optimum mounting height	10 m
Degree of protection (IP)	IP65
Housing material	Plastic PC
Ambient temperature	-30 - 60 °C

Optical features

Detection angle horizontal	-3 - 3 °
Light source	Laser diode, red light
Wavelength of the sensor	905 nm
Detection range, presence	9900 x 9900mm

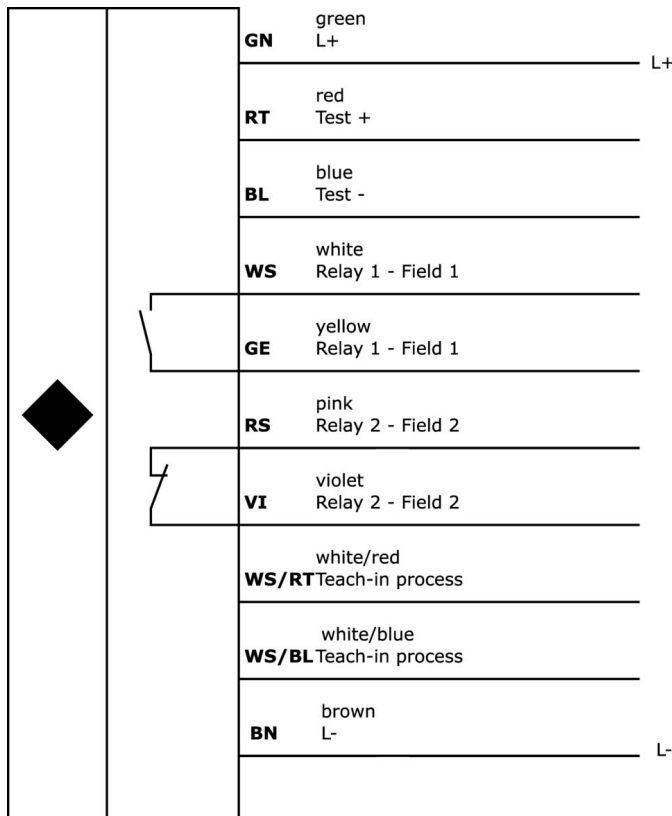
Classification

ETIM 8	EC000138 Motion detector sensor
--------	---------------------------------

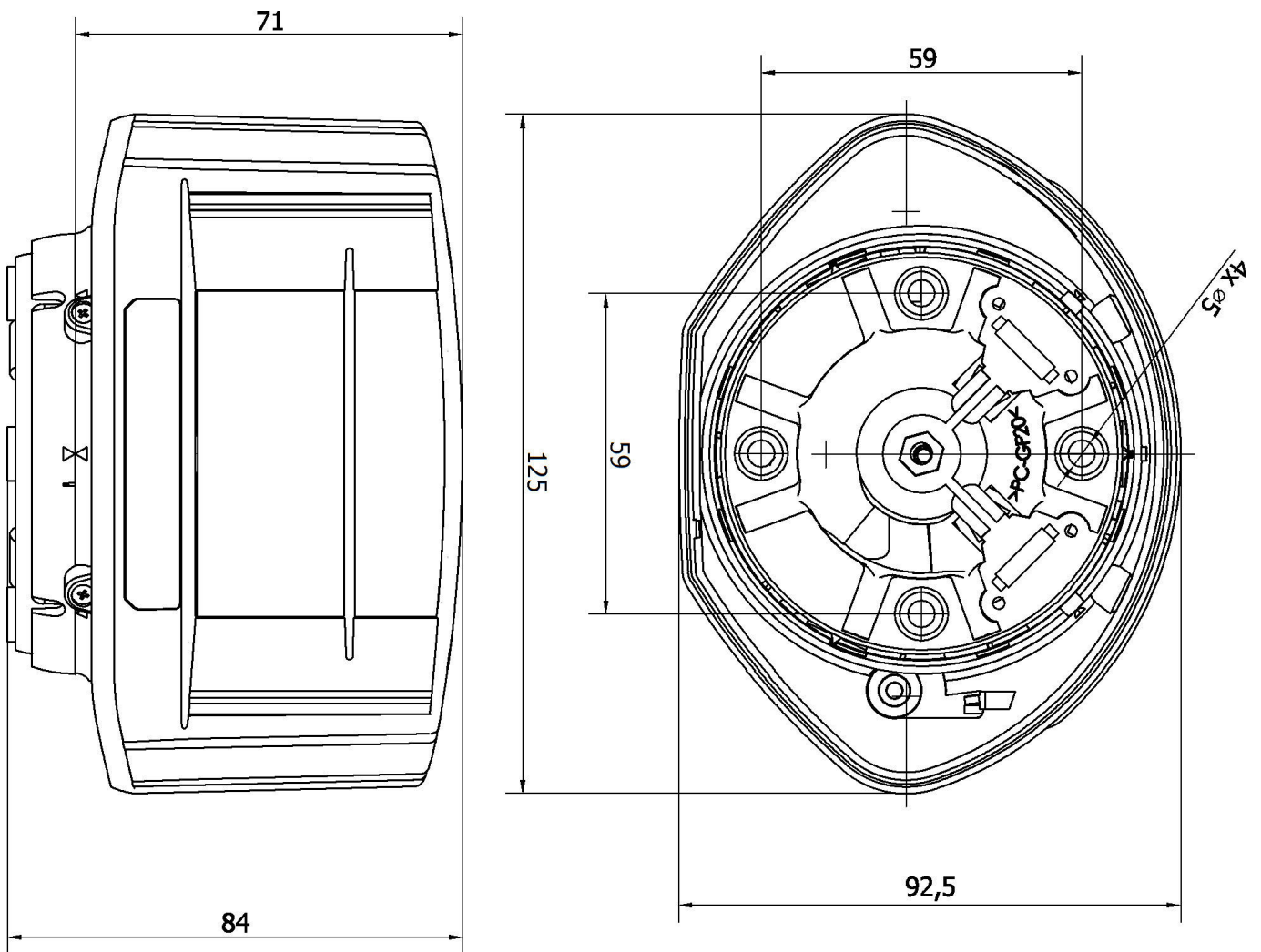
More

IPF Product Group	260 motion and presence detectors
packaging dimensions	225 x 200 x 110 mm
gross weight	1051 g
Customs tariff number	85365019
WEEE number	40951076
Reach-compliant	Yes
RoHS-compliant	Yes

Connection



Dimensional drawing



Extract accessories program

AY000141



Plastic sheath, Ø17mm, Inner diameter 10mm, -40-250°C, Glass fiber with silicone rubber, Short-term resistance to weld spatter 1200°C, Tensile strength 400N, Flexible, Flame retardant, yard good

AR000001



accessories Radar, Remote control, Plastic, With LED display

AP000045



accessories laser, Mounting plate, 27x97x78mm, Metal

AP000050



Accessories laser, housing holder, 265x195x98mm, metal

You can find further accessories on our homepage

**Installation**

Mounting / installation may only be carried out by a qualified electrician!

**Disposal**

WEEE number according to § 6 para. 3
ElektroG: 40951076

Safety warnings

- / Before initial operation, please make sure to follow all safety instructions that may be provided in the product information.
- / Never use these devices in applications where the safety of a person depends on their functionality.