

PYB00900

Motion and presence detectors • Laser curtain

Sensor laser, motion sensor/presence detector, 150x100x200mm, 12-24V AC/DC, -30-60°C, 3x relay contact programmable/configurable, cable tail, IP65, plastic PC



The PYB00900 is a sensor based on the principle of time-of-flight measurement. Thanks to its 7 laser curtains, the sensor covers an extensive area in front of the door. Furthermore, it combines 3 functions in one device: door opening, vestibule monitoring and additional personnel protection in the area of the door threshold. In addition, the PYB00900 not only optimizes traffic flow and energy consumption, but also increases gate protection and user comfort.

Electrical features

Response/decay time	230 ms
Number of switching outputs	3
Display	LED display
Type of switching function	Programmable/configurable
Type of electrical connection	Cable
Type of switching output	Relay contact
Rated switching current	80 mA
Setting procedure	Parameterization via remote control
Power consumption	15 VA
Reaction time	100 ms
Switching voltage	24 V
Operating voltage (AC 50Hz)	12 - 24 V
Operating voltage (DC)	12 - 24 V
ardSOCA_ElektrischerAnschluss	Cable tail 8-wire

Mechanical features

Number of cores	8
Width	200 mm
Height	150 mm
Mounting height	6000 mm
Length	100 mm
Mounting method	Surface mounted (plaster)
Optimum mounting height	6 m
Degree of protection (IP)	IP65
Housing material	Plastic PC
Ambient temperature	-30 - 60 °C
ardSOCA_Abmessungen	100x200x150mm

Optical features

Light source	Laser diode, infrared light
Wavelength of the sensor	905 nm
Detection range, presence	6000 x 6000mm

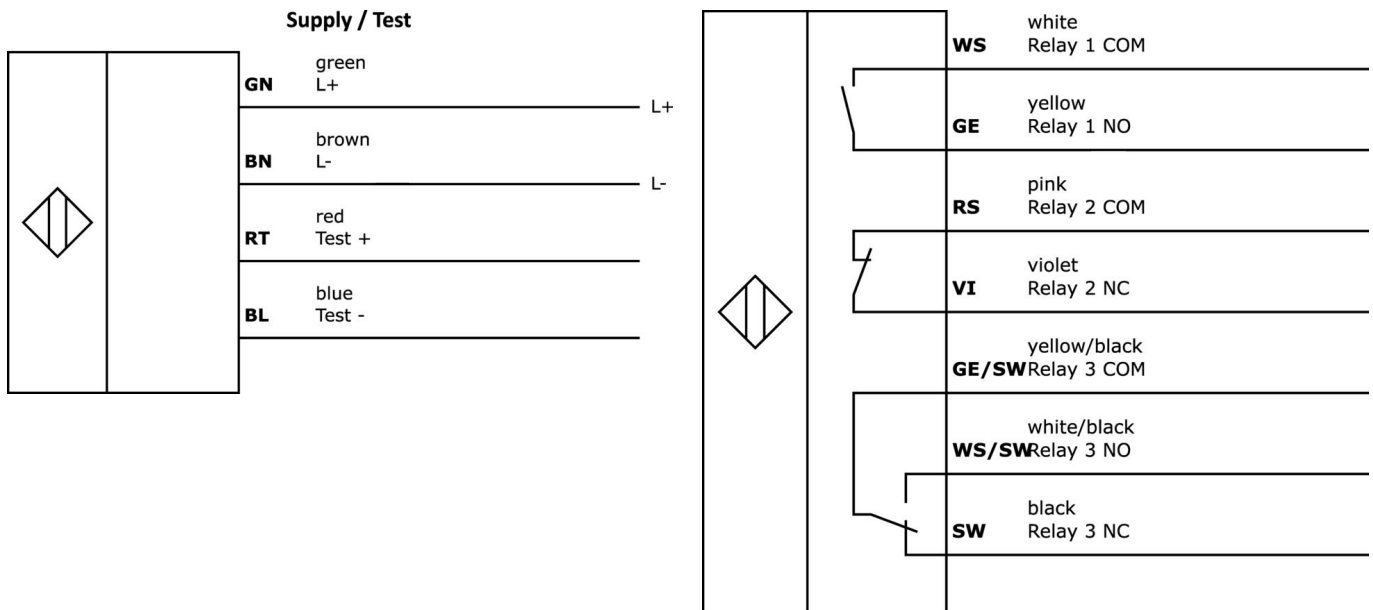
Classification

ETIM 8	EC000138 Motion detector sensor
--------	---------------------------------

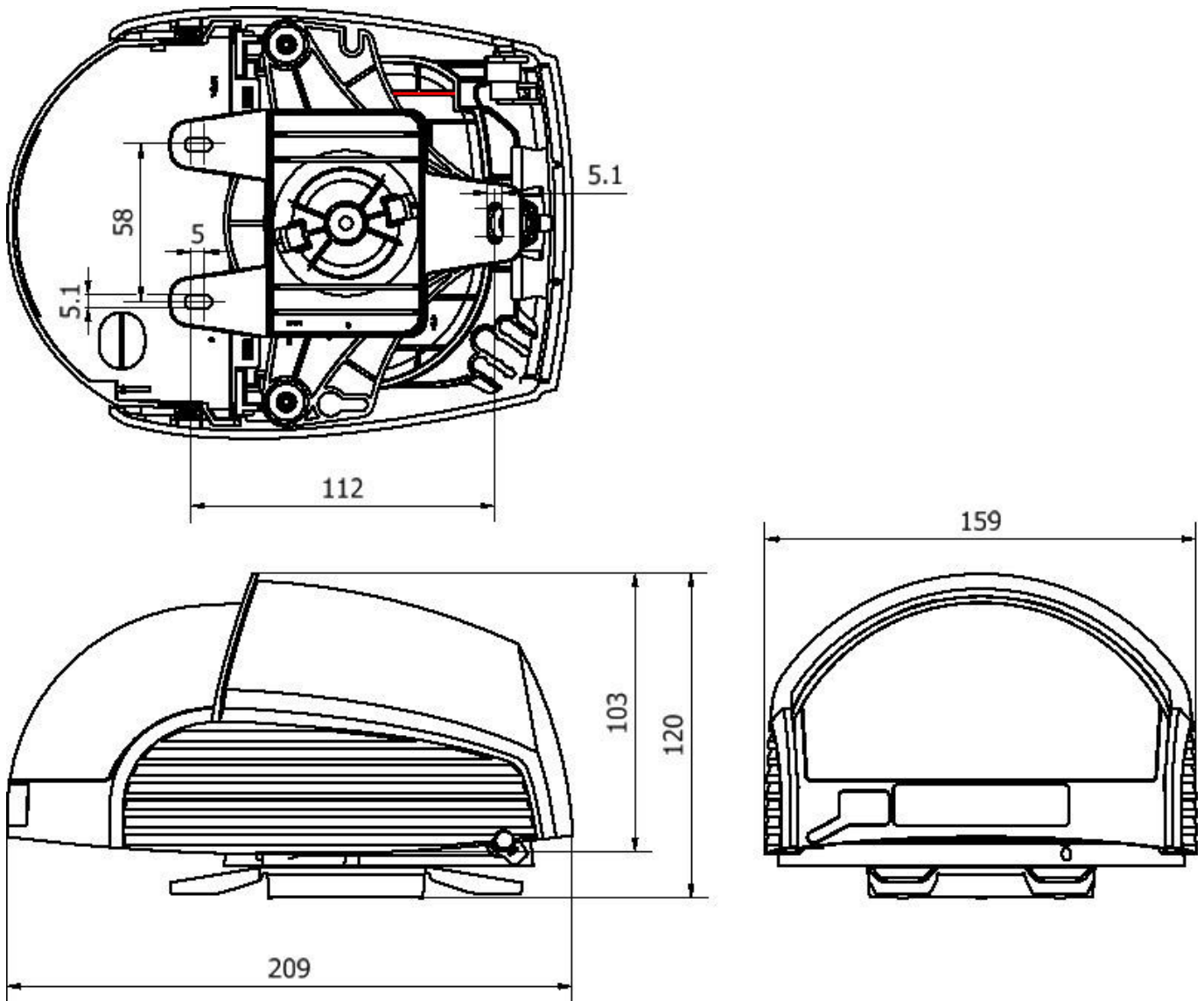
More

IPF Product Group	260 motion and presence detectors
packaging dimensions	300 x 205 x 145 mm
gross weight	1611 g
Customs tariff number	85365019
WEEE number	40951076
Reach-compliant	Yes
RoHS-compliant	Yes

Connection



Dimensional drawing



Extract accessories program

AR000001



accessories Radar, Remote control, Plastic, With LED display

You can find further accessories on our homepage



Installation

Mounting / installation may only be carried out by a qualified electrician!



Disposal

WEEE number according to § 6 para. 3 ElektroG: 40951076

Safety warnings

- / Before initial operation, please make sure to follow all safety instructions that may be provided in the product information.
- / Never use these devices in applications where the safety of a person depends on their functionality.