

RO710905

Motion and presence detectors • Combination devices

sensor Radar, optical, Motion sensor/presence sensor, 102x96x127mm, 12-24V AC/DC, -30-60°C, 2x Relay contact Change-over contact, Cable 10m, IP65, Plastic PC



Radar sensors are used primarily as signal transducers for controlling automatic doors and gates. They detect the movement of persons and/or industrial trucks and, at the same time, are insensitive to soiling. Objects can be detected depending on their movement direction in order to optimize the opening cycles of the gates. In doing so, it is possible to mask out people so that the sensor responds only when vehicles approach. Furthermore, it is possible to eliminate interference caused by moving objects within the detection range of the sensor. Systems that are also equipped with presence detection monitor the area in front of a gate in order to prevent the gate leaf from coming into contact with vehicles or objects.

Electrical features

Number of switching outputs	2
Display	LED display
Type of switching function	Change-over contact (NO/NC)
Type of electrical connection	Cable
Type of switching output	Relay contact
Turn-off delay	0,5 - 9 ms
Rated switching current	1000 mA
Setting procedure	Parameterization via remote control
Holding time	0,5 s
Power consumption	3.5 VA
Min. speed	0.05 m/s
Reaction time	100 ms
Switching voltage	42 V
Transmitting power, radar	5 mW/cm ²
Operating voltage (AC 50Hz)	12 - 24 V
Operating voltage (DC)	12 - 24 V

Mechanical features

Number of cores	7
Width	127 mm
Height	102 mm
Mounting height	2000 - 3500 mm
Cable length	10 m
Length	96 mm
Mounting method	Surface mounted (plaster)
Inclination angle	-8 - 22 °
Optimum mounting height	3.5 m
Degree of protection (IP)	IP65
Housing material	Plastic PC
Ambient temperature	-30 - 60 °C

Optical features

Power density of infrared diode	250 mW/cm ²
Light source	Infrared light
Wavelength of the sensor	875 nm
Detection range, presence	4000 x 4000mm
Detection range, movement	4000 x 2000mm

Other features

Operating frequency	24120000 kHz
---------------------	--------------

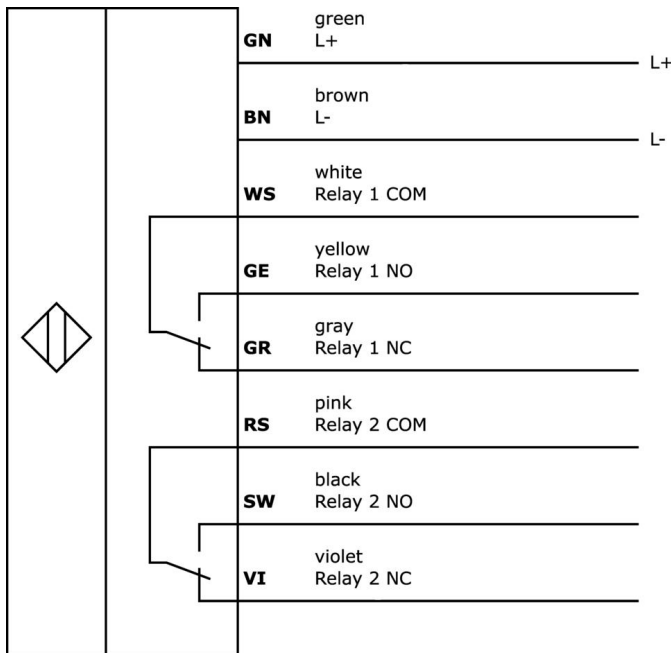
Classification

ETIM 8	EC000138 Motion detector sensor
--------	---------------------------------

More

IPF Product Group	260 motion and presence detectors
packaging dimensions	220 x 195 x 110 mm
gross weight	1010 g
Customs tariff number	85365019
WEEE number	40951076
Reach-compliant	Yes
RoHS-compliant	Yes

Connection



Extract accessories program

AR000001



accessories Radar, Remote control, Plastic, With LED display

AY000141



Plastic sheath, Ø17mm, Inner diameter 10mm, -40-250°C, Glass fiber with silicone rubber, Short-term resistance to weld spatter 1200°C, Tensile strength 400N, Flexible, Flame retardant, yard good

You can find further accessories on our homepage



Installation

Mounting / installation may only be carried out by a qualified electrician!



Disposal

WEEE number according to § 6 para. 3 ElektroG: 40951076

Safety warnings

/ Before initial operation, please make sure to follow all safety instructions that may be provided in the product information.

/ Never use these devices in applications where the safety of a person depends on their functionality.