

# RT210900

## Motion and presence detectors • Motion sensor

Sensor radar, motion sensor, 80x21x80mm, Sn: 100-600, 12-24V AC/DC, 1x relay contact change-over contact, terminals, IP54, plastic PC



The RT210900 is a contactless diffuse reflection sensor that reacts to a hand movement. The movement must be in the direction of the diffuse reflection sensor. The device is used e.g. in areas where doors need to be opened or closed at the touch of a button without the diffuse reflection sensor being touched by hand. Installation in existing flush-mounted boxes is possible without any problems; the AR000008 housing is available for surface mounting.

### Electrical features

Number of switching outputs	1
Display	LED display
Type of switching function	Change-over contact (NO/NC)
Type of electrical connection	Clamped terminal connection
Type of switching output	Relay contact
Rated switching current	1000 mA
Setting procedure	Manual adjustment
Holding time	0,5 s
Power consumption	1.5 VA
Min. speed	0.03 m/s
Switching distance	100 - 600 mm
Switching voltage	30 V
Transmitting power, radar	5 mW/cm <sup>2</sup>
Operating voltage (AC 50Hz)	12 - 24 V
Operating voltage (DC)	12 - 24 V
ardSOCA_ElektrischerAnschluss	Terminal connection
ardSOCA_Betriebsspannung	12-24VAC(50Hz)   12-24VDC

### Mechanical features

Width	80 mm
Height	80 mm
Length	21 mm
Mounting method	Flush mounted
Degree of protection (IP)	IP54
Housing material	Plastic PC
Ambient temperature	-20 - 55 °C
ardSOCA_Abmessungen	21x80x80mm

**Other features**

Operating frequency	24150000 kHz
---------------------	--------------

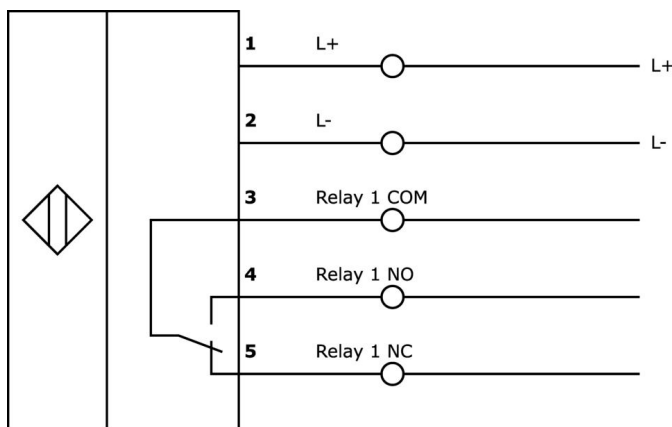
**Classification**

ETIM 8
--------

**More**

IPF Product Group	260 motion and presence detectors
packaging dimensions	155 x 118 x 80 mm
gross weight	148 g
Customs tariff number	85365019
WEEE number	40951076
Reach-compliant	Yes
RoHS-compliant	Yes

**Connection**



**Installation**

Mounting / installation may only be carried out by a qualified electrician!



**Disposal**

WEEE number according to § 6 para. 3 ElektroG: 40951076

**Safety warnings**

- / Before initial operation, please make sure to follow all safety instructions that may be provided in the product information.
- / Never use these devices in applications where the safety of a person depends on their functionality.