

SL220100

Flow sensors • Sensors for air

Sensor flow, air, calorimetric, M22x1 76lang, 24V DC, PNP NO, cable tail 2m PVC, brass, manual setting

including Nut, Screwdriver



The function of the flow sensor is based on the calorimetric principle. The sensor is heated by a few degrees Celsius from the inside compared to the flow medium into which it protrudes. If the medium flows, the heat generated in the sensor is dissipated by the medium. The temperature generated in the sensor is measured and compared with the temperature of the medium, which is also measured. The flow condition for each medium can be derived from the temperature difference obtained. Applications for these sensors include monitoring cooling systems, ventilation systems, dry running of pumps and monitoring the presence of liquid or gas flows.

Electrical features

Response/decay time	2000 ms
Number of switching outputs	1
Display	LED display
Type of switching function	Normally open contact (NO)
Type of electrical connection	Cable
Type of switching output	PNP
Rated switching current	200 mA
Readiness delay	40000 ms
Setting procedure	Manual adjustment Potentiometer
Short-circuit protection	Yes
No-load current	70 mA
Voltage drop	2.5 V
Reverse polarity protection	Yes
Measurement principle	calorimetric
Operating voltage (DC)	19,2 - 28,8 V
ardSOCA_ElektrischerAnschluss	Cable tail 3-core 2m
ardSOCA_Betriebsspannung	19-29VDC
ardTEEL_Temperaturgradient	200K/min

Mechanical features

Number of cores	3
Conductor cross-section	0.5 mm ²
Type of process connection	M22x1
Design	Cylinder, screw-thread
Thread length	55 mm
Thread pitch	1 mm
Cable length	2 m
Length	76 mm
Medium temperature	-20 - 70 °C
Degree of protection (IP)	IP67
Housing material	Nickel-plated brass
Material of cable sheath	Plastic (PVC)
Measuring range flow velocity	,5 - 15 m/s
Thread dimension	M22
Ambient temperature	-20 - 70 °C
Measuring range Flow velocity in air	0,5 - 15 m/s
ardSOCA_Abmessungen	M22x1, 76mm long
Line diameter	5 mm
ardTEME_WerkstoffeMedienberuehrendeTeile	Messing vernickelt Kunststoff (PBT)

Other features

Suitable for	Air nicht explosionsfähige Gase
Reference medium / object	Air

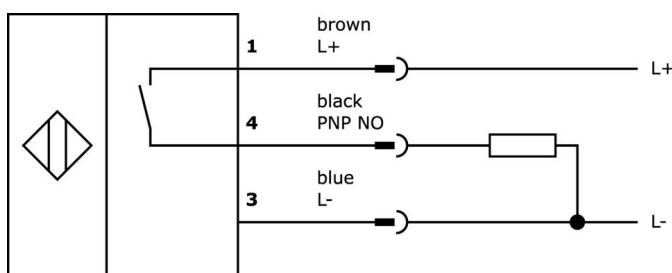
Classification

ETIM 8	EC002580 Flow monitoring device
--------	---------------------------------

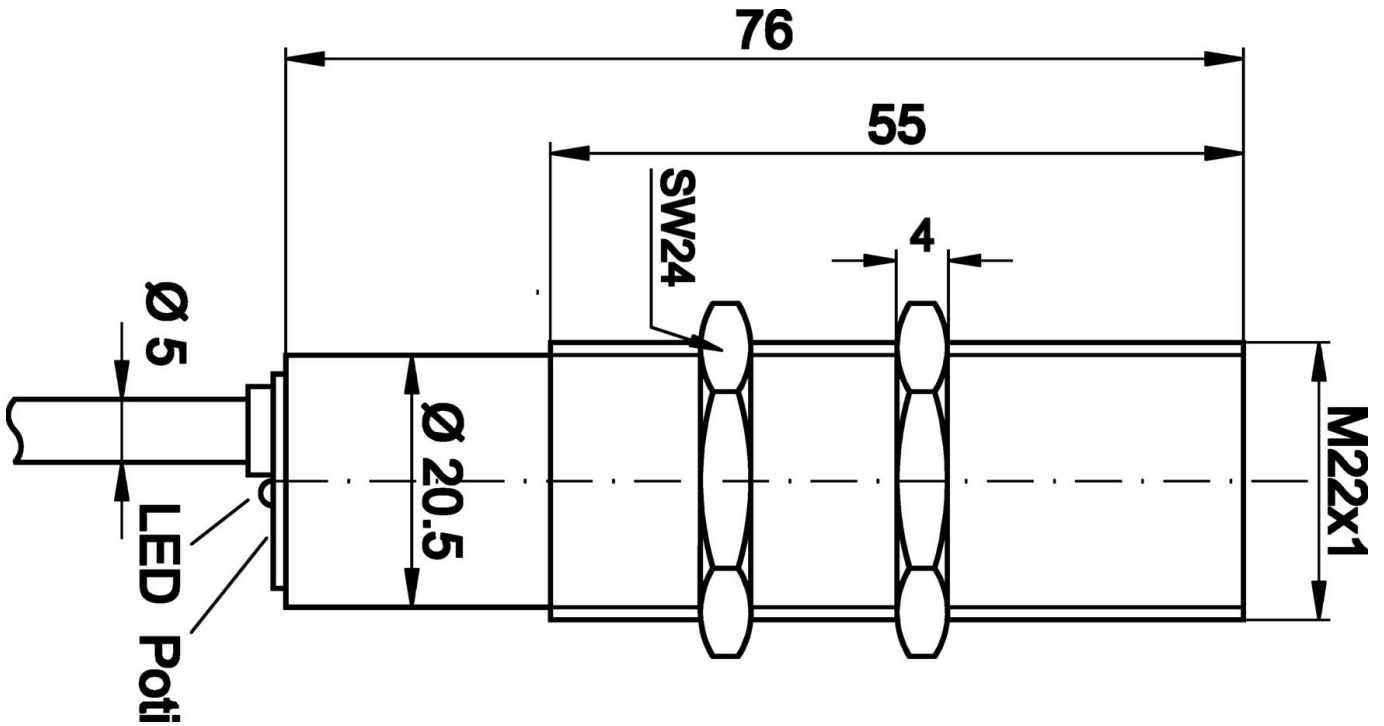
More

IPF Product Group	300 flow sensors
packaging dimensions	121 x 76 x 50 mm
gross weight	190 g
Customs tariff number	90268020
WEEE number	40951076
Reach-compliant	Yes
RoHS-compliant	Yes

Connection



Dimensional drawing



Extract accessories program

VK003026



Cable connector, Angular, Suitable for self-assembly, Screw connection, Ø3-6.5mm, 4A, 240V, -25-90°C, M12 Male (connector) 4pin, IP67, PBT

VK003028



Cable connector, Straight, Suitable for self-assembly, Screw connection, Ø3-6.5mm, 4A, 240V, -25-90°C, M12 Male (connector) 4pin, IP67, PBT

AY000141



Plastic sheath, Ø17mm, Inner diameter 10mm, -40-250°C, Glass fiber with silicone rubber, Short-term resistance to weld spatter 1200°C, Tensile strength 400N, Flexible, Flame retardant, yard good

You can find further accessories on our homepage



Installation

Mounting / installation may only be carried out by a qualified electrician!



Disposal

WEEE number according to § 6 para. 3 ElektroG: 40951076

Safety warnings

/ Before initial operation, please make sure to follow all safety instructions that may be provided in the product information.

/ Never use these devices in applications where the safety of a person depends on their functionality.