

SL98F001

Flow sensors • Consumption measurement for compressed air

Sensor flow, air, calorimetric, G 1/2", 18-36V DC, 4-20mA, M12 connector 5pin, plastic PC, With display, parameterization, M-Bus



The function of the flow sensor is based on the calorimetric principle. The sensor is heated by a few degrees Celsius from the inside in relation to the flow medium into which it projects. When the medium flows, the heat generated in the sensor is dissipated by the medium. The temperature developing in the sensor is measured and compared with the medium temperature, which is also measured. From the temperature difference obtained, the flow condition can be derived for each medium. These sensors are used, among other things, as compressed air consumption meters.

Electrical features

Display	LED display
Type of analog output	4 - 20mA
Type of electrical connection	Connector M12
Type of interface connection	Plug-in connection M12
Setting procedure	Parameterization
Coding of interface connection	A-coded
Short-circuit protection	Yes
No-load current	140 mA
Number of pins	5
Reverse polarity protection	Yes
Measurement principle	calorimetric
Number of pins of interface connection	5
Supported communication interface	MBus
Operating voltage (DC)	18 - 36 V
Measuring accuracy	± 1.5 % of measuring range ± 0.3 % of measuring range end

Mechanical features

Type of process connection	G1/2 inch
Design	Cuboid
Pressure resistance	50 bar
Length	220 mm
Probe length	220 mm
Medium temperature	-30 - 110 °C
Degree of protection (IP)	IP65
Housing material	Plastic PC
Sensing element material	Stainless steel 1.4301
Measuring range flow velocity	0 - 185 m/s
Ambient temperature	-20 - 80 °C

Other features

Reference medium / object	Air
Version	Insertion sensor
ardTE00_Anwendungen	Pneumatik-Anwendungen

Classification

ETIM 8	EC002580 Flow monitoring device
--------	---------------------------------

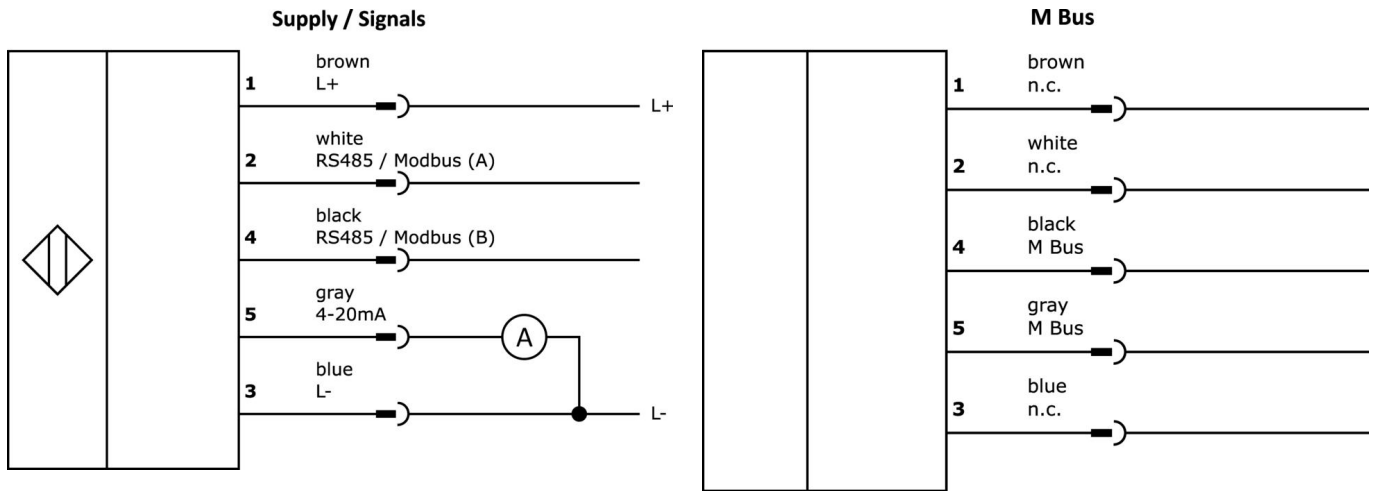
More

IPF Product Group	725 compressed air and leakage measurement
packaging dimensions	475 x 170 x 85 mm
gross weight	1131 g
Customs tariff number	90268020
WEEE number	40951076
Reach-compliant	Yes
RoHS-compliant	Yes

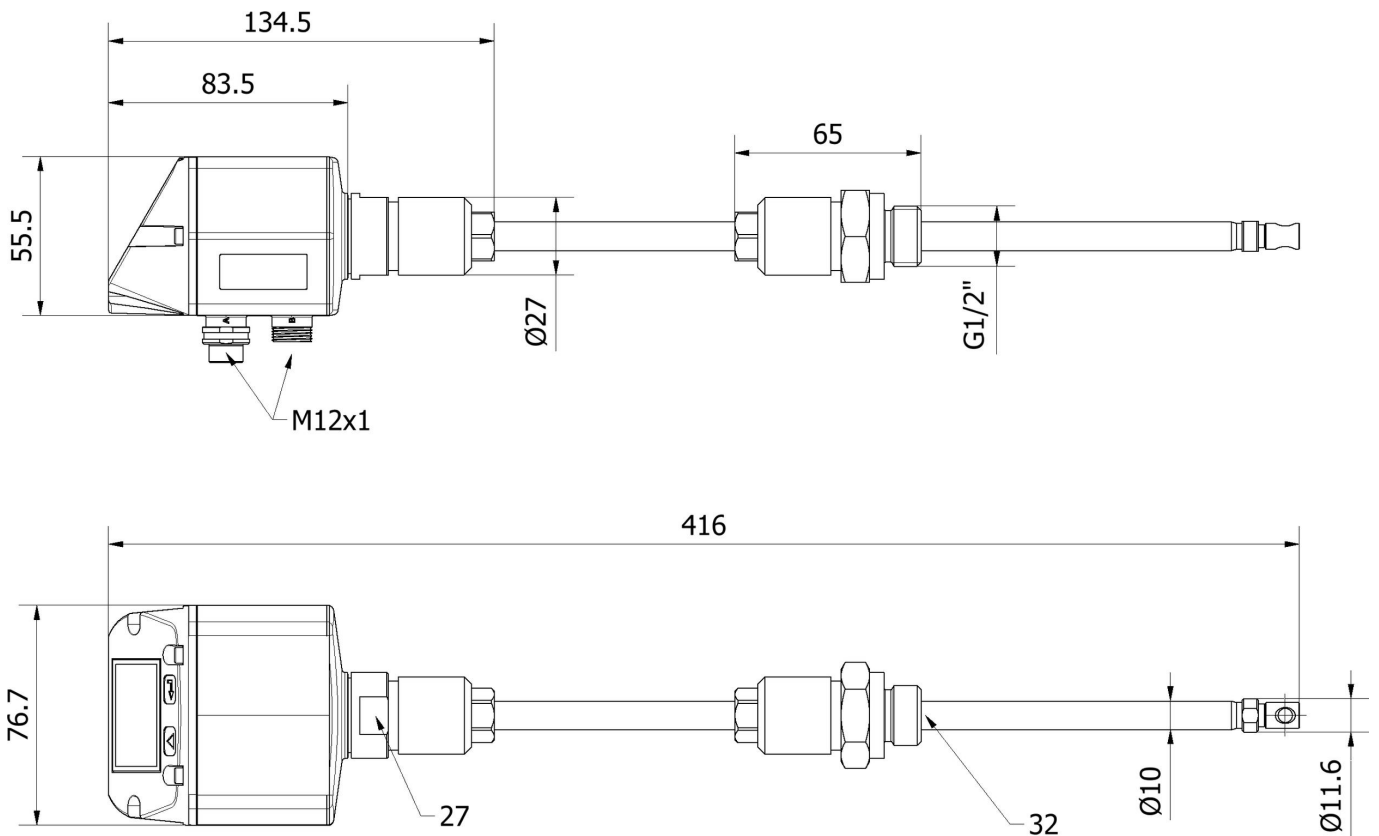
Important notes

/ For pressure > 10 bar - order high-pressure safety device additionally

Connection



Dimensional drawing



Extract accessories program**VK205621**

Connection cable, 2m, M12
Female (socket) 5pin Angular, Free conductor end, 5x0.34mm², PUR (Polyurethane), Ø6mm, 60V, -25-90°C, IP67, Shielded, Suitable for trailing chain and torsion resistant, Oil and cooling lubricants, Welding area, Silicone-free

VK205625

Connection cable, 2m, M12
Female (socket) 5pin Straight, Free conductor end, 5x0.34mm², PUR (Polyurethane), Ø6mm, 60V, -25-90°C, IP67, Shielded, Suitable for trailing chain and torsion resistant, Oil and cooling lubricants, Welding area, Silicone-free

AS000018

Accessories, high pressure safety device for insertion sensor, sensor length 220mm, max. 50bar

You can find further accessories on our homepage

**Installation**

Mounting / installation may only be carried out by a qualified electrician!

**Disposal**

WEEE number according to § 6 para. 3
ElektroG: 40951076

Safety warnings

- / Before initial operation, please make sure to follow all safety instructions that may be provided in the product information.
- / Never use these devices in applications where the safety of a person depends on their functionality.
- / Any software, drivers or IODD files that may be required to operate your device can be downloaded free of charge from our homepage: www.ipf-electronic.com