

## SS270020

### Flow sensors • Sensors for water

sensor flow, Water, Calorimetric, 67x112x27mm, G1/4 inch, 24V DC, 4-20mA, Plug-in connection M12 4pin, Plastic, Pressure resistance 20bar, Manual adjustment

including Sealing ring, Screwdriver



The function of the flow sensor is based on the calorimetric principle. The probe is heated up from the inside a few degrees Celsius in relation to the flow medium, in which it protrudes. When the medium flows, the heat generated in the probe is dissipated through the medium. The temperature within the sensor is measured and compared with the likewise measured medium temperature. From the obtained temperature difference the flow state of each medium can be derived. These sensors are applied in areas such as monitoring of cooling systems, ventilation systems, pump dry running by checking the presence of liquid or gas flows.

#### Electrical features

Response/decay time	1000 ms
Display	LED display
Type of analog output	4 - 20mA
Type of electrical connection	Connector M12
Readiness delay	15 ms
Setting procedure	Manual adjustment
Short-circuit protection	Yes
No-load current	50 mA
Number of pins	4
Residual ripple	10 %
Reverse polarity protection	Yes
Measurement principle	calorimetric
Operating voltage (DC)	24 V

**Mechanical features**

Type of process connection	G1/4 inch
Design	Cuboid
Width	27 mm
Pressure resistance	20 bar
Height	67 mm
Length	112 mm
Medium temperature	0 - 80 °C
Measuring range of flow velocity with water	0,015 - 1 m/s
Degree of protection (IP)	IP67
Housing material	Plastic
Sensing element material	Stainless steel 1.4571
Measuring range flow volume	0,015 - 1 l/min
Measuring range flow velocity	,015 - 1 m/s
Ambient temperature	0 - 60 °C

**Other features**

Reference medium / object	Water
---------------------------	-------

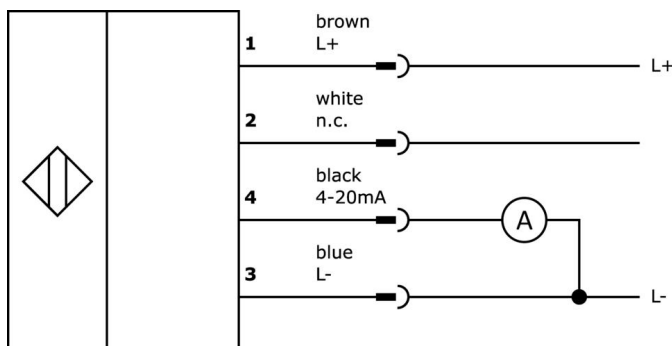
**Classification**

ETIM 8	EC002580 Flow monitoring device
--------	---------------------------------

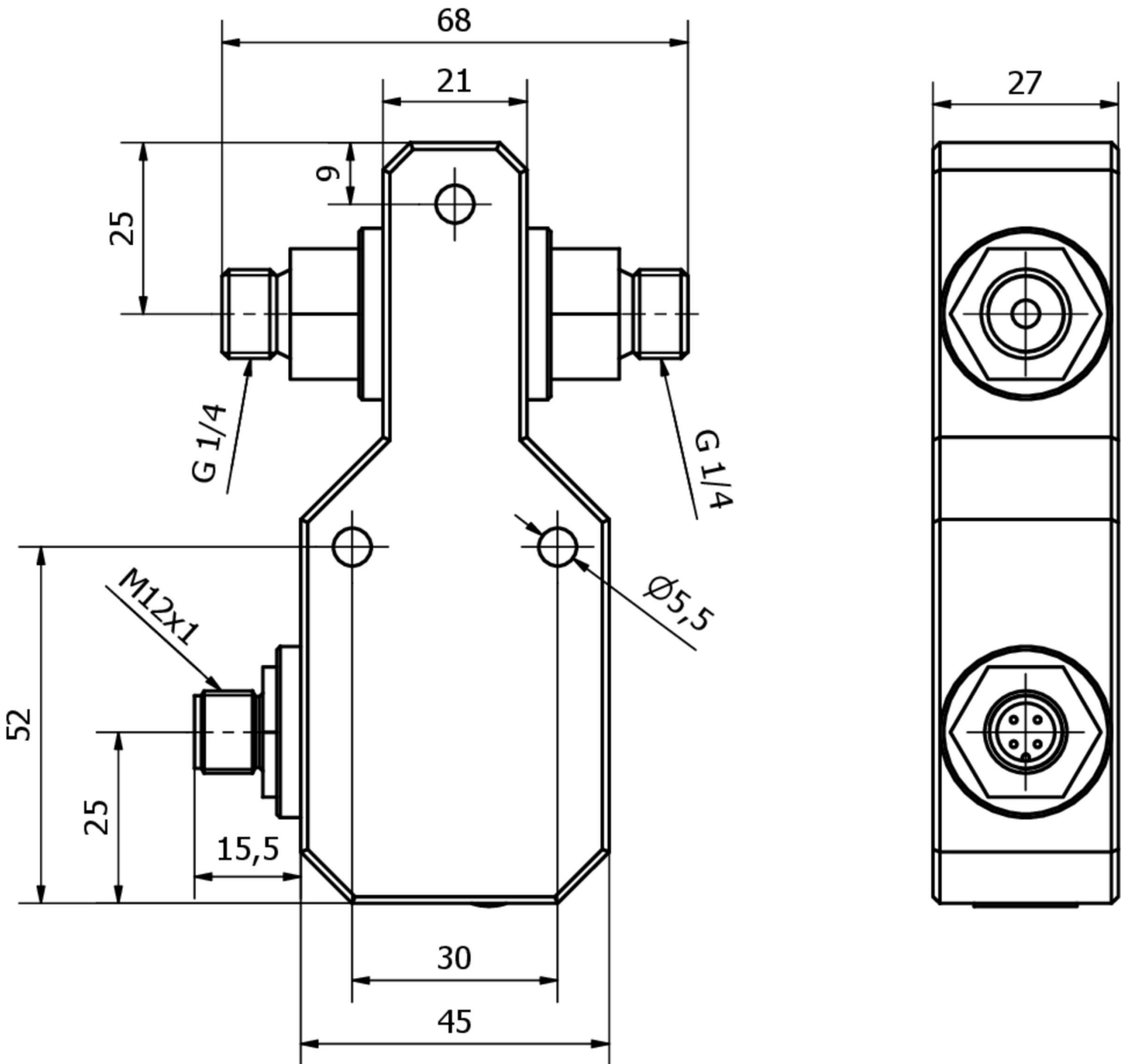
**More**

IPF Product Group	300 flow sensors
packaging dimensions	160 x 99 x 60 mm
gross weight	323 g
Customs tariff number	90261021
WEEE number	40951076
Reach-compliant	Yes
RoHS-compliant	Yes

**Connection**



Dimensional drawing



**Extract accessories program**

**VK003020**



Cable socket, angular, self-assembly, screw connection, Ø3-6.5mm, 4A, 240V, -25-90°C, M12 socket 4-pin, IP67, PBT

**VK003024**



Cable socket, Straight, Suitable for self-assembly, Screw connection, Ø3-6.5mm, 4A, 240V, -25-90°C, M12 Female (socket) 4pin, IP67, PBT

**VK030F62**



Connection cable, 0.3m, M12 socket 3-pin angular, M8 connector 3-pin straight, 3x0.34mm², PUR (polyurethane), IP67, LED, suitable for trailing chain and torsion resistant, oils and cooling lubricants, welding area, silicone-free

**VK060F62**



Connection cable, 0.6m, M12 socket 3-pin angular, M8 connector 3-pin straight, 3x0.34mm², PUR (polyurethane), IP67, LED, suitable for trailing chain and torsion resistant, oils and cooling lubricants, welding area, silicone-free

**VK200021**



Connection cable, 2m, M12 Female (socket) 3pin Angular, Free conductor end, 3x0.34mm², PUR (Polyurethane), Ø4.3mm, 250V, -30-90°C, IP67, Suitable for trailing chain and torsion resistant, Oil and cooling lubricants, Welding area, Silicone-free

**VK200025**



Connection cable, 2m, M12 Female (socket) 3pin Straight, Free conductor end, 3x0.34mm², PUR (Polyurethane), Ø4.3mm, 250V, -30-90°C, IP67, Suitable for trailing chain and torsion resistant, Oil and cooling lubricants, Welding area, Silicone-free

**VK030F60**



Connection cable, 0.3m, M12 socket 3-pin angular, M8 connector 3-pin straight, 3x0.34mm², PUR (polyurethane), 60V, IP67, suitable for trailing chain and torsion resistant, oils and cooling lubricants, welding area, silicone-free

**VK030F64**



Connection cable, 0.3m, M12 socket 3-pin straight, M8 connector 3-pin straight, 3x0.34mm², PUR (polyurethane), 60V, IP67, suitable for trailing chain and torsion resistant, oils and cooling lubricants, welding area, silicone-free

**VK200221**



Connection cable, 2m, M12 Female (socket) 3pin Angular, Free conductor end, 3x0.34mm², PUR (Polyurethane), Ø4.3mm, -30-90°C, IP67, With LED display, Suitable for trailing chain and torsion resistant, Oil and cooling lubricants, Welding area, Silic...

You can find further accessories on our homepage



**Installation**

Mounting / installation may only be carried out by a qualified electrician!



**Disposal**

WEEE number according to § 6 para. 3 ElektroG: 40951076

**Safety warnings**

/ Before initial operation, please make sure to follow all safety instructions that may be provided in the product information.

/ Never use these devices in applications where the safety of a person depends on their functionality.