

SS270121

Flow sensors • Sensors for water

sensor flow, Water, Calorimetric, 125x112x27mm, Hose OD 4mm, 24V DC, PNP NO (NO), Plug-in connection M12 4pin, Plastic, Pressure resistance 1bar, Manual adjustment

including Screwdriver



The function of the flow sensor is based on the calorimetric principle. The probe is heated up from the inside a few degrees Celsius in relation to the flow medium, in which it protrudes. When the medium flows, the heat generated in the probe is dissipated through the medium. The temperature within the sensor is measured and compared with the likewise measured medium temperature. From the obtained temperature difference the flow state of each medium can be derived. These sensors are applied in areas such as monitoring of cooling systems, ventilation systems, pump dry running by checking the presence of liquid or gas flows.

Electrical features

Response/decay time	3000 ms
Display	LED display
Type of switching function	Normally open contact (NO)
Type of electrical connection	Connector M12
Type of switching output	PNP
Rated switching current	200 mA
Readiness delay	20 ms
Setting procedure	Manual adjustment
Short-circuit protection	Yes
No-load current	50 mA
Number of pins	4
Residual ripple	10 %
Voltage drop	2 V
Reverse polarity protection	Yes
Measurement principle	calorimetric
Operating voltage (DC)	24 V

Mechanical features

Type of process connection	Hose OD 4mm
Design	Cuboid
Width	27 mm
Pressure resistance	1 bar
Height	125 mm
Length	112 mm
Medium temperature	0 - 60 °C
Measuring range of flow velocity with water	0,001 - 0,2 m/s
Degree of protection (IP)	IP67
Housing material	Plastic
Sensing element material	Stainless steel 1.4571
Measuring range flow volume	0,001 - 0,2 l/min
Measuring range flow velocity	,001 - ,2 m/s
Ambient temperature	0 - 60 °C

Other features

Reference medium / object	Water
---------------------------	-------

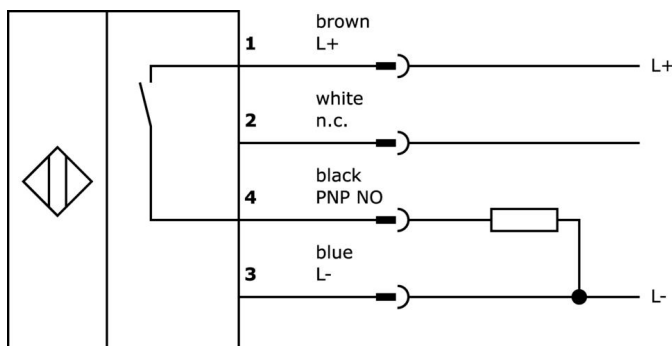
Classification

ETIM 8	EC002580 Flow monitoring device
--------	---------------------------------

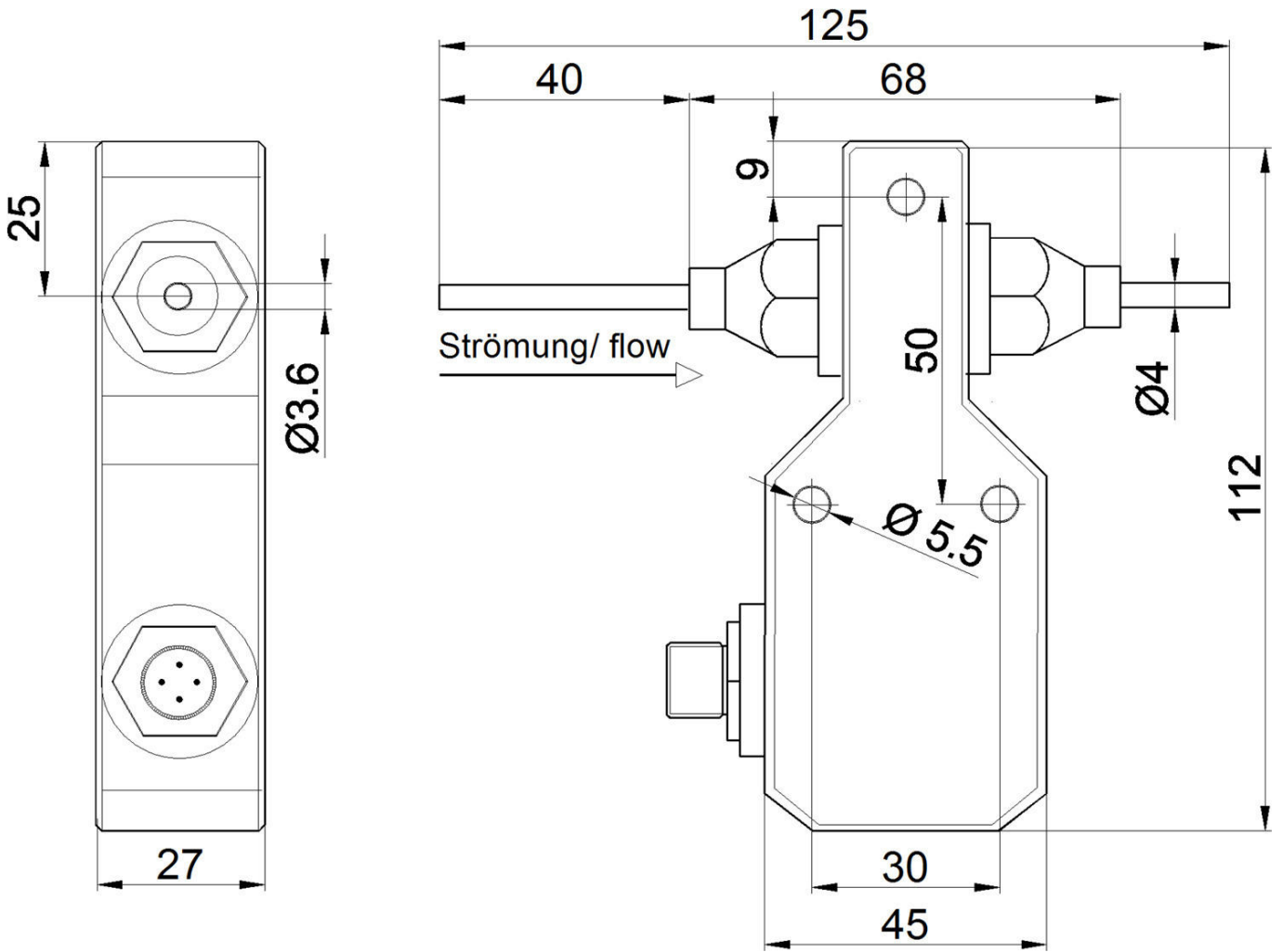
More

IPF Product Group	300 flow sensors
packaging dimensions	210 x 138 x 95 mm
gross weight	390 g
Customs tariff number	90261021
WEEE number	40951076
Reach-compliant	Yes
RoHS-compliant	Yes

Connection



Dimensional drawing



Extract accessories program

VK003020



Cable socket, angular, self-assembly, screw connection, Ø3-6.5mm, 4A, 240V, -25-90°C, M12 socket 4-pin, IP67, PBT

VK003024



Cable socket, Straight, Suitable for self-assembly, Screw connection, Ø3-6.5mm, 4A, 240V, -25-90°C, M12 Female (socket) 4pin, IP67, PBT

VK030F62



Connection cable, 0.3m, M12 socket 3-pin angular, M8 connector 3-pin straight, 3x0.34mm², PUR (polyurethane), IP67, LED, suitable for trailing chain and torsion resistant, oils and cooling lubricants, welding area, silicone-free

VK060F62



Connection cable, 0.6m, M12 socket 3-pin angular, M8 connector 3-pin straight, 3x0.34mm², PUR (polyurethane), IP67, LED, suitable for trailing chain and torsion resistant, oils and cooling lubricants, welding area, silicone-free

VK200021



Connection cable, 2m, M12 Female (socket) 3pin Angular, Free conductor end, 3x0.34mm², PUR (Polyurethane), Ø4.3mm, 250V, -30-90°C, IP67, Suitable for trailing chain and torsion resistant, Oil and cooling lubricants, Welding area, Silicone-free

VK200025



Connection cable, 2m, M12 Female (socket) 3pin Straight, Free conductor end, 3x0.34mm², PUR (Polyurethane), Ø4.3mm, 250V, -30-90°C, IP67, Suitable for trailing chain and torsion resistant, Oil and cooling lubricants, Welding area, Silicone-free

VK030F60



Connection cable, 0.3m, M12 socket 3-pin angular, M8 connector 3-pin straight, 3x0.34mm², PUR (polyurethane), 60V, IP67, suitable for trailing chain and torsion resistant, oils and cooling lubricants, welding area, silicone-free

VK030F64



Connection cable, 0.3m, M12 socket 3-pin straight, M8 connector 3-pin straight, 3x0.34mm², PUR (polyurethane), 60V, IP67, suitable for trailing chain and torsion resistant, oils and cooling lubricants, welding area, silicone-free

VK200221



Connection cable, 2m, M12 Female (socket) 3pin Angular, Free conductor end, 3x0.34mm², PUR (Polyurethane), Ø4.3mm, -30-90°C, IP67, With LED display, Suitable for trailing chain and torsion resistant, Oil and cooling lubricants, Welding area, Silic...

You can find further accessories on our homepage



Installation

Mounting / installation may only be carried out by a qualified electrician!



Disposal

WEEE number according to § 6 para. 3 ElektroG: 40951076

Safety warnings

/ Before initial operation, please make sure to follow all safety instructions that may be provided in the product information.

/ Never use these devices in applications where the safety of a person depends on their functionality.