

SS410124

Flow sensors • Sensors for water

Sensor flow, calorimetric, Ø40mm 67long, G 1/2", 24V DC, PNP NO, M12 plug connector 4-pin, V4A, pressure resistance 100bar, manual setting

including Sealing, Screwdriver



The function of the flow sensor is based on the calorimetric principle. The probe is heated up from the inside a few degrees Celsius in relation to the flow medium, in which it protrudes. When the medium flows, the heat generated in the probe is dissipated through the medium. The temperature within the sensor is measured and compared with the likewise measured medium temperature. From the obtained temperature difference the flow state of each medium can be derived. These sensors are applied in areas such as monitoring of cooling systems, ventilation systems, pump dry running by checking the presence of liquid or gas flows.

Electrical features

Display	LED display
Type of switching function	Normally open contact (NO)
Type of electrical connection	Connector M12
Type of switching output	PNP
Rated switching current	400 mA
Readiness delay	15 ms
Setting procedure	Manual adjustment
Short-circuit protection	Yes
No-load current	70 mA
Number of pins	4
Residual ripple	20 %
Voltage drop	2 V
Reverse polarity protection	Yes
Measurement principle	calorimetric
Operating voltage (DC)	19,2 - 28,8 V
ardTEEL_Temperaturgradient	250K/min (>0.6m/s)

Mechanical features

Type of process connection	G1/2 inch
Design	Cylinder plain
Pressure resistance	100 bar
Diameter	40 mm
Thread length	31 mm
Length	67 mm
Medium temperature	-20 - 80 °C
Measuring range of flow velocity with water	0,01 - 1,5 m/s
Measuring range of flow velocity with oil	0,03 - 3 m/s
Degree of protection (IP)	IP67
Housing material	Stainless steel 1.4571
Sensing element material	Stainless steel 1.4571
Ambient temperature	-20 - 80 °C

Other features

Reference medium / object	Oil
ardTE00_Anwendungen	Hydraulik-Anwendungen

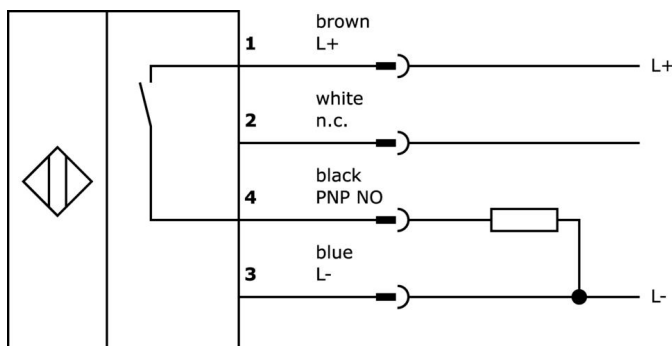
Classification

ETIM 8	EC002580 Flow monitoring device
--------	---------------------------------

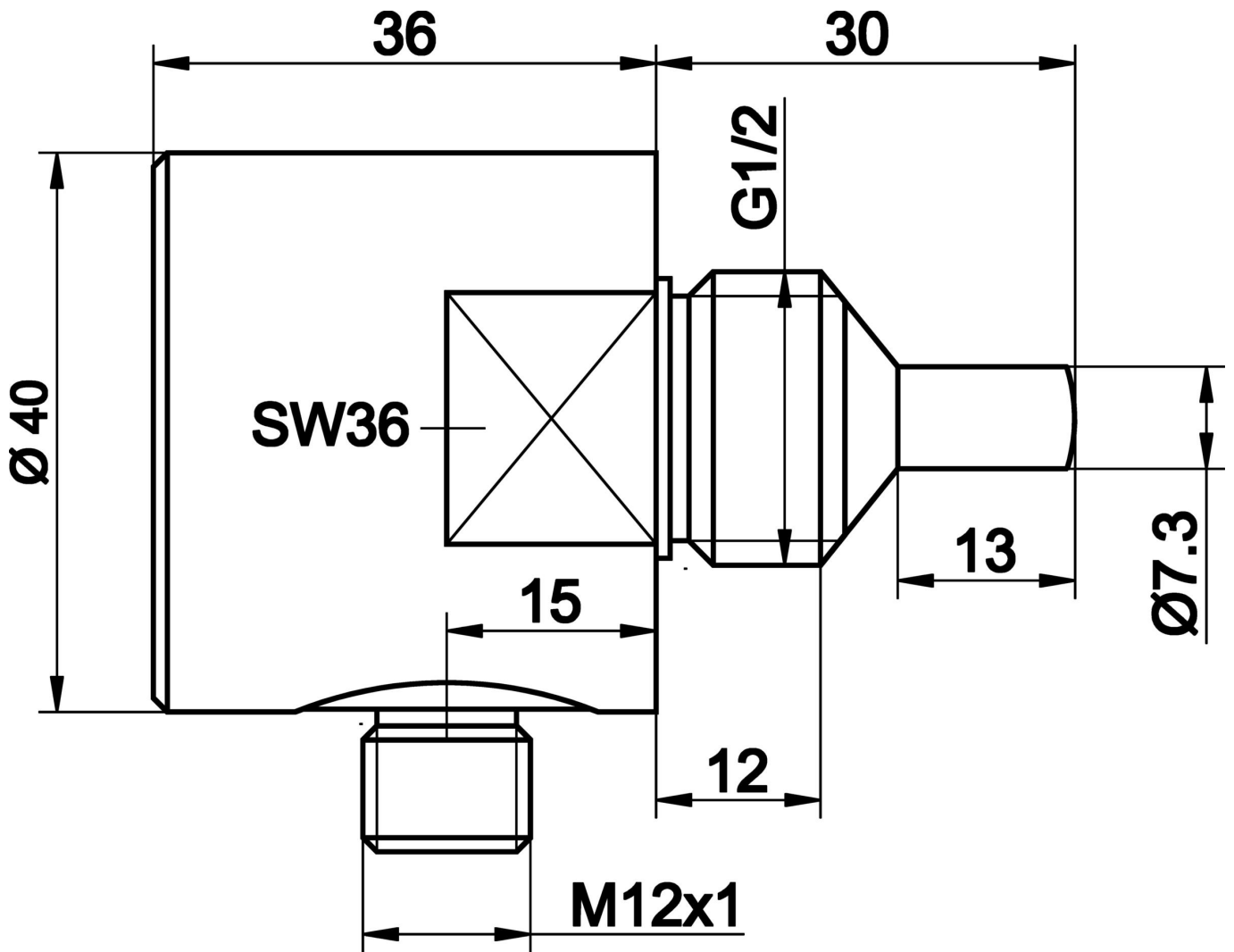
More

IPF Product Group	300 flow sensors
packaging dimensions	132 x 80 x 62 mm
gross weight	267 g
Customs tariff number	90261021
WEEE number	40951076
Reach-compliant	Yes
RoHS-compliant	Yes

Connection



Dimensional drawing



Extract accessories program

VK003020



Cable socket, angular, self-assembly, screw connection, Ø3-6.5mm, 4A, 240V, -25-90°C, M12 socket 4-pin, IP67, PBT

VK003024



Cable socket, Straight, Suitable for self-assembly, Screw connection, Ø3-6.5mm, 4A, 240V, -25-90°C, M12 Female (socket) 4pin, IP67, PBT

VK200021



Connection cable, 2m, M12 Female (socket) 3pin Angular, Free conductor end, 3x0.34mm², PUR (Polyurethane), Ø4.3mm, 250V, -30-90°C, IP67, Suitable for trailing chain and torsion resistant, Oil and cooling lubricants, Welding area, Silicone-free

VK200025



Connection cable, 2m, M12 Female (socket) 3pin Straight, Free conductor end, 3x0.34mm², PUR (Polyurethane), Ø4.3mm, 250V, -30-90°C, IP67, Suitable for trailing chain and torsion resistant, Oil and cooling lubricants, Welding area, Silicone-free

VK000037



Adaption, M12 Female (socket) 3pin Straight, M8 Male (connector) 3pin Straight, 24V, -25-85°C, IP67, Oil and cooling lubricants, Welding area

VK200221



Connection cable, 2m, M12 Female (socket) 3pin Angular, Free conductor end, 3x0.34mm², PUR (Polyurethane), Ø4.3mm, -30-90°C, IP67, With LED display, Suitable for trailing chain and torsion resistant, Oil and cooling lubricants, Welding area, Silic...

VK200225



Connection cable, 2m, M12 Female (socket) 3pin Straight, Free conductor end, 3x0.34mm², PUR (Polyurethane), Ø4.3mm, -30-90°C, IP67, With LED display, Suitable for trailing chain and torsion resistant, Oil and cooling lubricants, Welding area, Sili...

VK000041



Adaption, M12 Female (socket) 4pin Straight, M8 Male (connector) 4pin Straight, 24V, -25-85°C, IP67, Oil and cooling lubricants, Welding area

VK003021



Cable socket, Angular, Suitable for self-assembly, Screw connection, Ø3-6.5mm, 4A, 60V, -25-90°C, M12 Female (socket) 5pin, IP67, PBT

You can find further accessories on our homepage



Installation

Mounting / installation may only be carried out by a qualified electrician!



Disposal

WEEE number according to § 6 para. 3 ElektroG: 40951076

Safety warnings

/ Before initial operation, please make sure to follow all safety instructions that may be provided in the product information.

/ Never use these devices in applications where the safety of a person depends on their functionality.