

SS906024

Flow sensors • Sensors for water

sensor flow, Water, Calorimetric, 58mm long, G1/2 inch, Anschluss an Verstärker, Plug-in connection M12 4pin, V4A, Pressure resistance 100bar



The function of the flow sensor is based on the calorimetric principle. The probe is heated up from the inside a few degrees Celsius in relation to the flow medium, in which it protrudes. When the medium flows, the heat generated in the probe is dissipated through the medium. The temperature within the sensor is measured and compared with the likewise measured medium temperature. From the obtained temperature difference the flow state of each medium can be derived. These sensors are applied in areas such as monitoring of cooling systems, ventilation systems, pump dry running by checking the presence of liquid or gas flows.

Electrical features

| | |
|-------------------------------|---------------|
| Response/decay time | 13000 ms |
| Type of electrical connection | Connector M12 |
| Turn-off delay | 0 - 25 ms |
| Readiness delay | 15 ms |
| Max. line length | 100 m |
| Number of pins | 4 |
| Temperature setting | 20 - 100 °C |
| Measurement principle | calorimetric |
| Connection to amplifier | Yes |

Mechanical features

| | |
|---|------------------------|
| Type of process connection | G1/2 inch |
| Design | Cylinder, screw-thread |
| Pressure resistance | 100 bar |
| Thread length | 31 mm |
| Length | 58 mm |
| Medium temperature | -20 - 80 °C |
| Measuring range of flow velocity with water | 0,01 - 1,5 m/s |
| Measuring range of flow velocity with oil | 0,03 - 3 m/s |
| Degree of protection (IP) | IP67 |
| Housing material | Stainless steel (V4A) |
| Sensing element material | Stainless steel 1.4571 |
| Measuring range flow velocity | ,01 - 1,5 m/s |
| Ambient temperature | -20 - 80 °C |

Other features

| | |
|---------------------------|-----------------------|
| Reference medium / object | Water |
| ardTE00_Anwendungen | Hydraulik-Anwendungen |

Classification

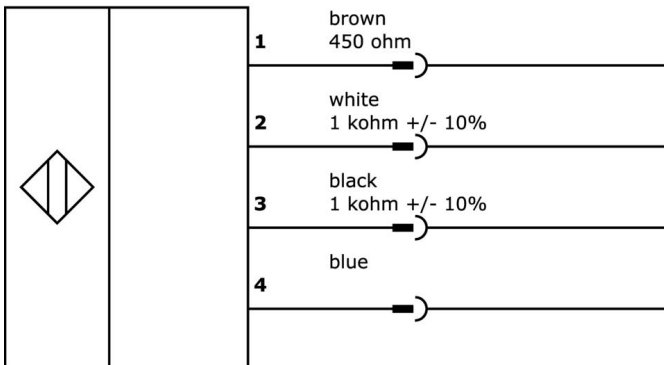
| | |
|--------|---------------------------------|
| ETIM 8 | EC002580 Flow monitoring device |
|--------|---------------------------------|

More

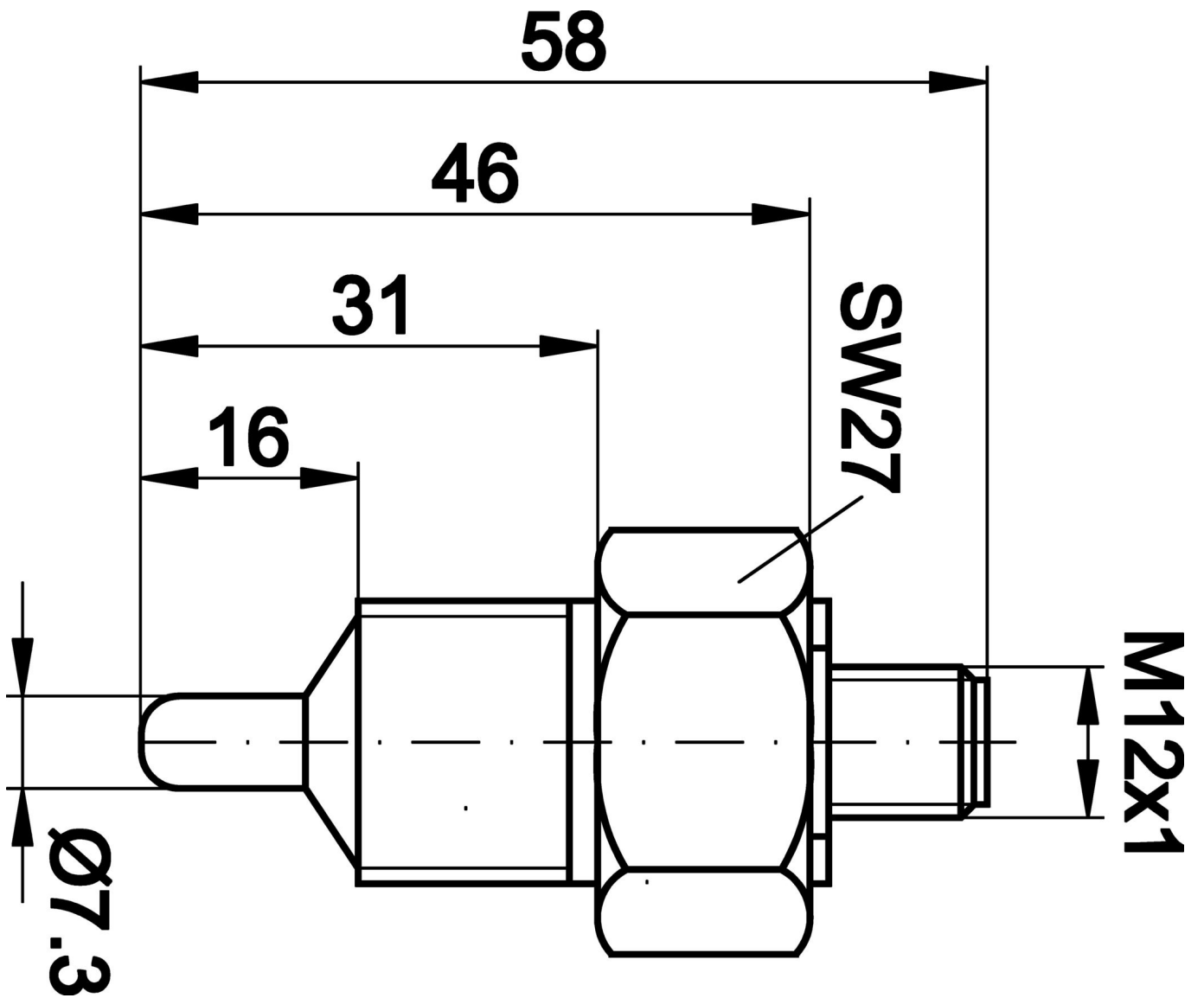
| | |
|-----------------------|------------------|
| IPF Product Group | 300 flow sensors |
| packaging dimensions | 105 x 43 x 43 mm |
| gross weight | 110 g |
| Customs tariff number | 90261021 |
| WEEE number | 40951076 |
| Reach-compliant | Yes |
| RoHS-compliant | Yes |

Connection

Connection to amplifier



Dimensional drawing



Extract accessories program

VK003021



Cable socket, Angular, Suitable for self-assembly, Screw connection, Ø3-6.5mm, 4A, 60V, -25-90°C, M12 Female (socket) 5pin, IP67, PBT

VK003025



Cable socket, Straight, Suitable for self-assembly, Screw connection, Ø3-6.5mm, 4A, 60V, -25-90°C, M12 Female (socket) 5pin, IP67, PBT

SV550800



amplifier flow, 110x75x55mm, 24V DC, Change-over contact (NO/NC), Clamp, IP20, Plastic, With LED display

SV554800



amplifier flow, 110x75x55mm, Change-over contact (NO/NC), Clamp, IP20, Plastic, With LED display

VK200321



Connection cable, 2m, M12 Female (socket) 4pin Angular, Free conductor end, 4x0.34mm², PUR (Polyurethane), Ø4.7mm, 250V, -40-90°C, IP67, Suitable for trailing chain and torsion resistant, Oil and cooling lubricants, Welding area, Silicone-free

VK200325



Connection cable, 2m, M12 Female (socket) 4pin Straight, Free conductor end, 4x0.34mm², PUR (Polyurethane), Ø4.7mm, 250V, -40-90°C, IP67, Suitable for trailing chain and torsion resistant, Oil and cooling lubricants, Welding area, Silicone-free

VK003020



Cable socket, angular, self-assembly, screw connection, Ø3-6.5mm, 4A, 240V, -25-90°C, M12 socket 4-pin, IP67, PBT

VK003024



Cable socket, Straight, Suitable for self-assembly, Screw connection, Ø3-6.5mm, 4A, 240V, -25-90°C, M12 Female (socket) 4pin, IP67, PBT

AS000002



accessories flow, T-piece, Red cast iron

You can find further accessories on our homepage



Installation

Mounting / installation may only be carried out by a qualified electrician!



Disposal

WEEE number according to § 6 para. 3 ElektroG: 40951076

Safety warnings

/ Before initial operation, please make sure to follow all safety instructions that may be provided in the product information.

/ Never use these devices in applications where the safety of a person depends on their functionality.