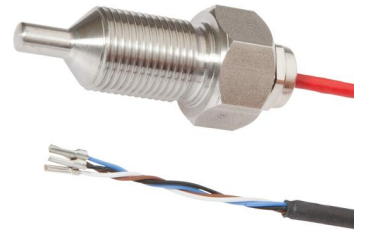


SS906080

Flow sensors • Sensors for water

Sensor flow, water, calorimetric, G 1/2", connection to amplifier, cable tail 2m PTFE, V4A, pressure resistance 100bar



The function of the flow sensor is based on the calorimetric principle. The sensor is heated by a few degrees Celsius from the inside compared to the flow medium into which it protrudes. If the medium flows, the heat generated in the sensor is dissipated by the medium. The temperature generated in the sensor is measured and compared with the temperature of the medium, which is also measured. The flow condition for each medium can be derived from the temperature difference obtained. Applications for these sensors include monitoring cooling systems, ventilation systems, dry running of pumps and monitoring the presence of liquid or gas flows.

Electrical features

Response/decay time	13000 ms
Type of electrical connection	Cable
Turn-off delay	0 - 25 ms
Readiness delay	15 ms
Max. line length	100 m
Measurement principle	calorimetric
Connection to amplifier	Yes

Mechanical features

Type of process connection	G1/2 inch
Design	Cylinder, screw-thread
Pressure resistance	100 bar
Thread length	48 mm
Cable length	2 m
Medium temperature	10 - 120 °C
Measuring range of flow velocity with water	0,01 - 1,5 m/s
Measuring range of flow velocity with oil	0,03 - 3 m/s
Degree of protection (IP)	IP68
Housing material	Stainless steel (V4A)
Material of cable sheath	Plastic (PTFE)
Sensing element material	Stainless steel 1.4571
Ambient temperature	10 - 120 °C

Other features

Reference medium / object	Water
ardTE00_Anwendungen	Hydraulik-Anwendungen

Classification

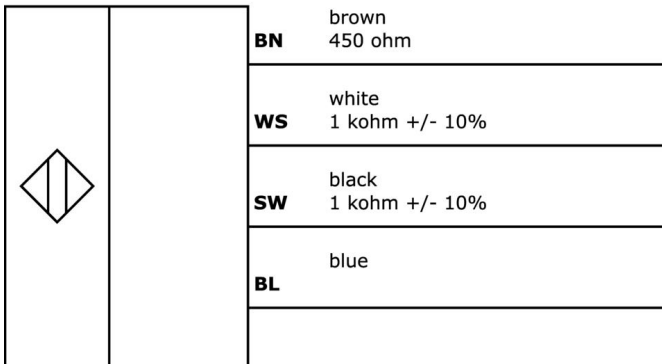
ETIM 8	EC002580 Flow monitoring device
--------	---------------------------------

More

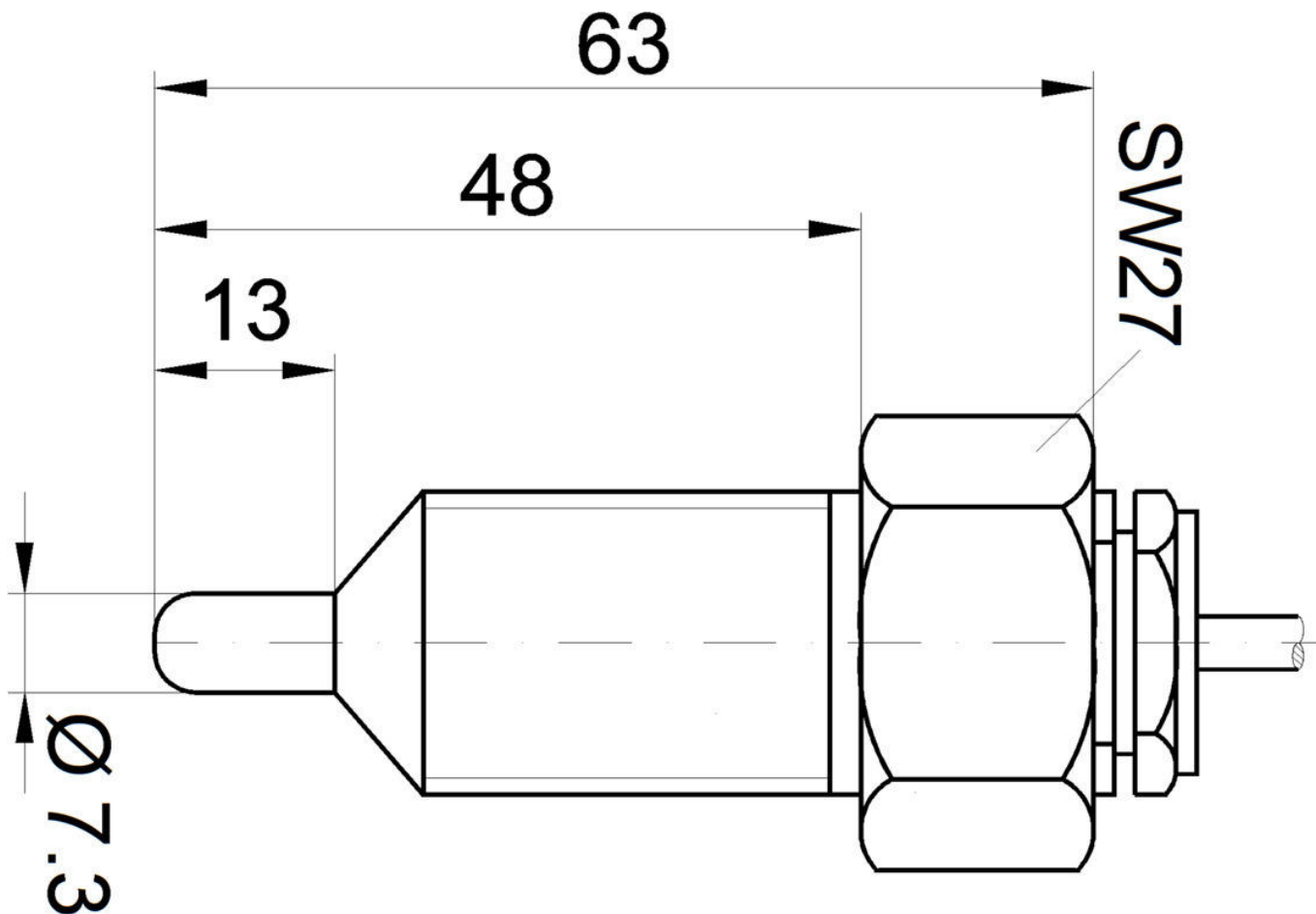
IPF Product Group	300 flow sensors
packaging dimensions	149 x 124 x 35 mm
gross weight	250 g
Customs tariff number	90261021
WEEE number	40951076
Reach-compliant	Yes
RoHS-compliant	Yes

Connection

Connection to amplifier



Dimensional drawing



Extract accessories program

SV550800



amplifier flow, 110x75x55mm, 24V DC, Change-over contact (NO/NC), Clamp, IP20, Plastic, With LED display

SV554800



amplifier flow, 110x75x55mm, Change-over contact (NO/NC), Clamp, IP20, Plastic, With LED display

AY000141



Plastic sheath, Ø17mm, Inner diameter 10mm, -40-250°C, Glass fiber with silicone rubber, Short-term resistance to weld spatter 1200°C, Tensile strength 400N, Flexible, Flame retardant, yard good

You can find further accessories on our homepage



Installation

Mounting / installation may only be carried out by a qualified electrician!



Disposal

WEEE number according to § 6 para. 3 ElektroG: 40951076

Safety warnings

- / Before initial operation, please make sure to follow all safety instructions that may be provided in the product information.
- / Never use these devices in applications where the safety of a person depends on their functionality.