

# SV554800

## Flow sensors • Switching amplifiers

amplifier flow, 110x75x55mm, Change-over contact (NO/NC), Clamp, IP20, Plastic, With LED display

including Screwdriver



The function of the flow sensor is based on the calorimetric principle. The probe is heated up from the inside a few degrees Celsius in relation to the flow medium, in which it protrudes. When the medium flows, the heat generated in the probe is dissipated through the medium. The temperature within the sensor is measured and compared with the likewise measured medium temperature. From the obtained temperature difference the flow state of each medium can be derived. These sensors are applied in areas such as monitoring of cooling systems, ventilation systems, pump dry running by checking the presence of liquid or gas flows.

### Electrical features

Number of channels	1
Number of contacts as change-over contact	2
Display	LED display
Type of switching function	Change-over contact (NO/NC)
Type of electrical connection	Clamped terminal connection
Rated switching current	4000 mA
No-load current	34 mA
Power consumption	8 VA
Switching capacity	1000 VA
Switching voltage	250 V
Switching voltage AC	250 V
Switching voltage DC	60 V
Operating voltage (AC 50Hz)	230 V
Amplifier for flow sensors	Yes

### Mechanical features

Design	Cuboid
Width	55 mm
Height	75 mm
Length	110 mm
Measuring range of flow velocity with water	0,01 - 1,5 m/s
Measuring range of flow velocity with oil	0,03 - 3 m/s
Mounting method	Top hat rail
Degree of protection (IP)	IP20
Housing material	Plastic
Ambient temperature	-20 - 60 °C

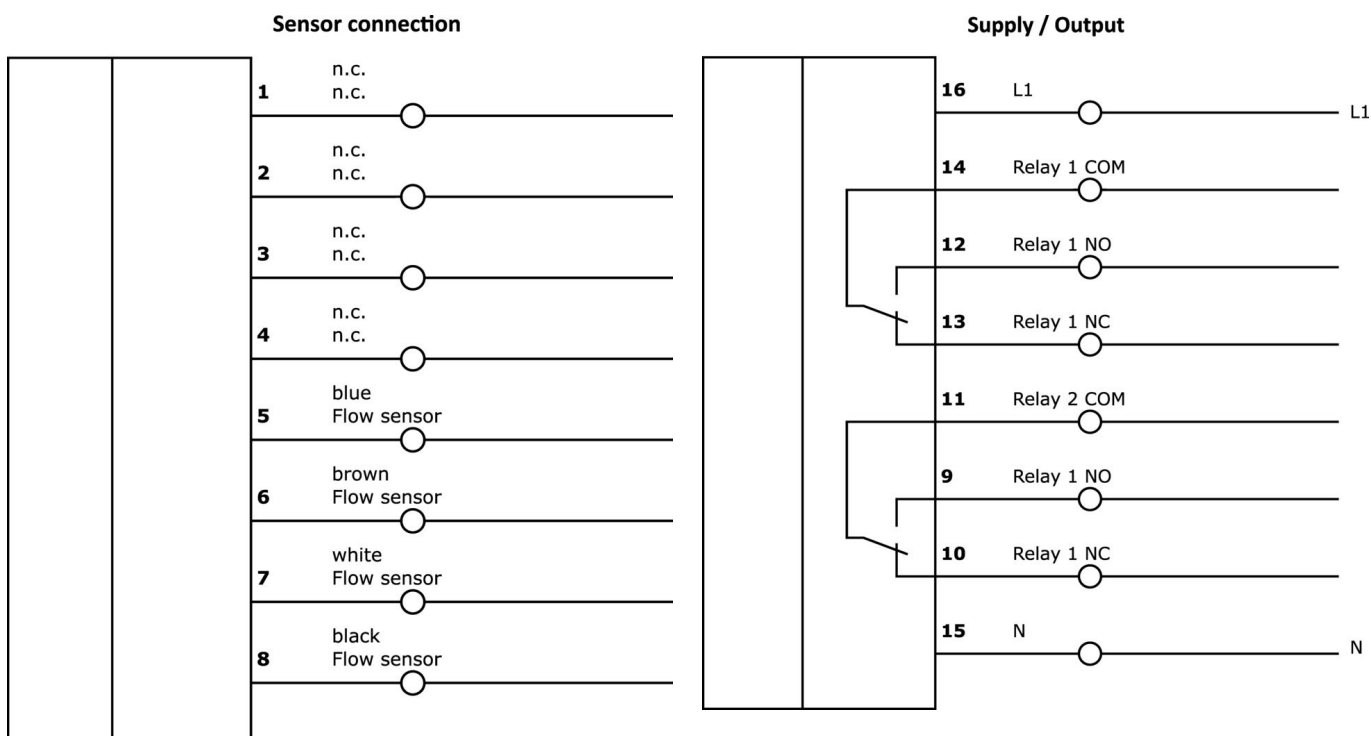
**Classification**

ETIM 8	EC001485 Isolation amplifier
--------	------------------------------

**More**

IPF Product Group	300 flow sensors
packaging dimensions	132 x 80 x 63 mm
gross weight	414 g
Customs tariff number	85365019
WEEE number	40951076
Reach-compliant	Yes
RoHS-compliant	Yes

**Connection**



**Extract accessories program**

**SS896004**



sensor flow, Water, Calorimetric, 37mm long, G1/4 inch, Anschluss an Verstärker, Cable 2m PVC, V4A, Pressure resistance 100bar

**SS896024**



sensor flow, Water, Calorimetric, 49mm long, G1/4 inch, Anschluss an Verstärker, Plug-in connection M12 4pin, V4A, Pressure resistance 100bar

You can find further accessories on our homepage



**Installation**

Mounting / installation may only be carried out by a qualified electrician!



**Disposal**

WEEE number according to § 6 para. 3 ElektroG: 40951076

---

**Safety warnings**

- / Before initial operation, please make sure to follow all safety instructions that may be provided in the product information.
- / Never use these devices in applications where the safety of a person depends on their functionality.