

UT180023

Ultrasonic sensors • Distance measurement

Ultrasonic sensor, diffuse reflection sensor, M18x1 100long, Sn: 30-400, 15-30V DC, 4-20mA, M12 plug-in connector 5-pin, IP65, plastic, teach-in, LED, sound cone axial

including Sealing ring, Nut



Ultrasonic sensors are non-contact and wear-free position switches which can also be used under rough environmental conditions. A key advantage of these devices lies in the fact that the material and the surface characteristics of the objects to be detected can be almost anything. Solids, liquids, grainy materials and powdery materials can be identified without the shape or the color of the object having any influence to the measured result. In addition, the ability to detect transparent materials such as films and fluids is of particular importance. The shape and color of the objects do not influence the result of the detection. The capability to detect transparent films or liquids is also of special importance. Ultrasonic sensors are used for distance measurement (e.g. detection of diameters, loop control), for fill level detection (e.g. silo detection), for positioning and presence detection (e.g. glass pane positioning, film tear check, glass bottle detection)

Electrical features

Response/decay time	60 ms
Display	LED display
Resolution	0.12 mm
Type of analog output	4 - 20mA
Type of electrical connection	Connector M12
Setting procedure	Teach-In
Short-circuit protection	Yes
No-load current	30 mA
Number of pins	5
Relative linearity deviation	0.5 %
Relative repeat accuracy	0.2 %
Sound outlet	axial
Protection class	III
Carrier frequency	360 kHz
Reverse polarity protection	Yes
Operating voltage (DC)	15 - 30 V
Measuring range	30 - 400 mm

Mechanical features

Design	Cylinder, screw-thread
Thread length	65 mm
Thread pitch	1 mm
Length	100 mm
Degree of protection (IP)	IP65
Housing material	Plastic
Diameter detection	Yes
Thread dimension	M18
Ambient temperature	-20 - 70 °C

Optical features

Angle of beam spread	8 °
----------------------	-----

Other features

Operating frequency	360 kHz
ardTE00_Anwendungen	Niveauabfrage

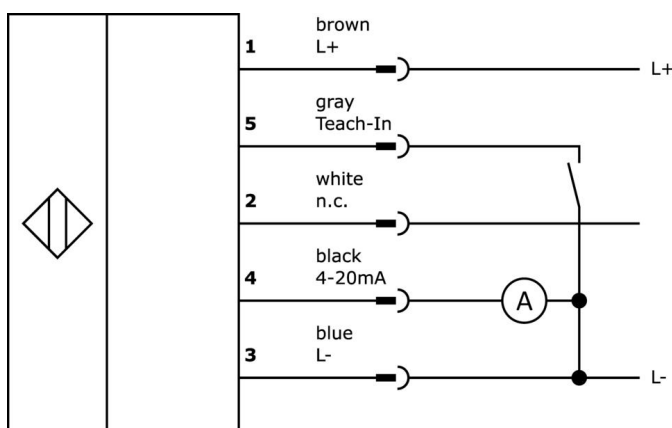
Classification

ETIM 8	EC001846 Ultrasonic distance sensor
--------	-------------------------------------

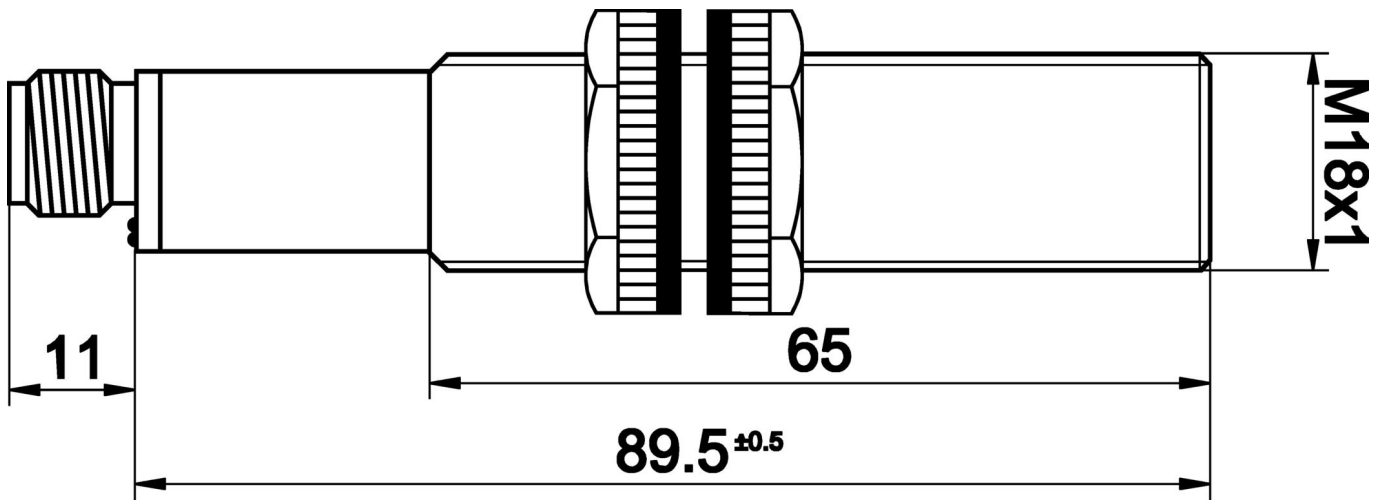
More

IPF Product Group	259 ultrasonic sensors (analog)
packaging dimensions	165 x 105 x 55 mm
gross weight	92 g
Customs tariff number	85365019
WEEE number	40951076
OzDS-compliant	Yes
POP-compliant	Yes
Reach-compliant	Yes
RoHS-compliant	Yes

Connection



Dimensional drawing



Extract accessories program

NG530002



DC power supply, single-phase, 99x114x22mm, 24V, 0.1A, Number of relay outputs 2, 100-264V AC 50Hz, 100-264V AC 60Hz, Screw connection, IP20, Plastic, Stabilized, Output voltage, pulsed

AU000001



accessories ultrasonic, Deflection bracket, 50x105mm, Deflection bracket, Steel, 90°

AU000002



accessories ultrasonic, Deflection bracket, 50x105mm, Deflection bracket, Steel, 90°

VK205621



Connection cable, 2m, M12 Female (socket) 5pin Angular, Free conductor end, 5x0.34mm², PUR (Polyurethane), Ø6mm, 60V, -25-90°C, IP67, Shielded, Suitable for trailing chain and torsion resistant, Oil and cooling lubricants, Welding area, Silicone-free

VK205625



Connection cable, 2m, M12 Female (socket) 5pin Straight, Free conductor end, 5x0.34mm², PUR (Polyurethane), Ø6mm, 60V, -25-90°C, IP67, Shielded, Suitable for trailing chain and torsion resistant, Oil and cooling lubricants, Welding area, Silicone-...

VK003021



Cable socket, Angular, Suitable for self-assembly, Screw connection, Ø3-6.5mm, 4A, 60V, -25-90°C, M12 Female (socket) 5pin, IP67, PBT

VK003025



Cable socket, Straight, Suitable for self-assembly, Screw connection, Ø3-6.5mm, 4A, 60V, -25-90°C, M12 Female (socket) 5pin, IP67, PBT

AU000013



accessories, ultrasonic, cable, 0.3m, M12 socket 5p pole straight, M12-connector 5 pole straight, PUR (Polyurethane)

AY000162



Accessories, magnetic, Ø43mm, neodymium-iron-boron, inside thread M5, rubber

You can find further accessories on our homepage



Installation

Mounting / installation may only be carried out by a qualified electrician!



Disposal

WEEE number according to § 6 para. 3 ElektroG: 40951076

Safety warnings

- / Before initial operation, please make sure to follow all safety instructions that may be provided in the product information.
- / Never use these devices in applications where the safety of a person depends on their functionality.