

UT210076

Ultrasonic sensors • Distance measurement

Ultrasonic sensor, diffuse reflection sensor, 50x15x21mm, Sn: 10-250, 12-30V DC, 0-10V, M8 plug-in connector 4-pin, IP67, plastic, teach-in, sound cone lateral

- / Plastic housing
- / Analogausgang_0-10V
- / M8 plug connection



Setting via teach-in small blind range

Ultrasonic sensors are contactless and wear-free. Depending on the version, they have one or more switching outputs, but there are also versions that output a distance-proportional current or voltage signal. They can also be used in harsh environmental conditions. A major advantage of these devices is that the material and surface properties of the objects to be detected can be almost any. Solid, liquid, granular and powdery materials can be recognized. The shape and color of the objects have no influence on the detection result. The ability to detect transparent materials such as foils or liquids is also of particular importance. Ultrasonic sensors are used for distance measurement (e.g. diameter detection, loop control), level or filling height control (e.g. silo detection), positioning and presence detection (e.g. glass pane positioning, film tear control, glass bottle detection).

Electrical features

Response/decay time	25 ms
Display	LED display
Resolution	0.3 mm
Type of analog output	0 - 10V
Type of electrical connection	Connector M8
Setting procedure	Teach-In
Relative hysteresis	4 %
Load resistance (voltage output)	10 kOhm
No-load current	10 mA
Number of pins	4
Residual ripple	10 %
Sound outlet	Lateral
Temperature drift over entire measuring range	2 %
Carrier frequency	370 kHz
Absolute repeat accuracy	0.5 mm
Operating voltage (DC)	12 - 30 V
Measuring range	10 - 250 mm
ardSOCA_ElektrischerAnschluss	
ardSOCA_Betriebsspannung	
ardTEEL_Schutzfunktionen	Reverse polarity protection Short circuit protection

Mechanical features

Design	Cuboid
Width	20.5 mm
Height	50.2 mm
Storage temperature	-25 - 75 °C
Length	15 mm
Degree of protection (IP)	IP67
Housing material	Plastic
Ambient temperature	-25 - 65 °C
ardSOCA_Abmessungen	

Other features

ardTE00_Anwendungen	Level sensing
---------------------	---------------

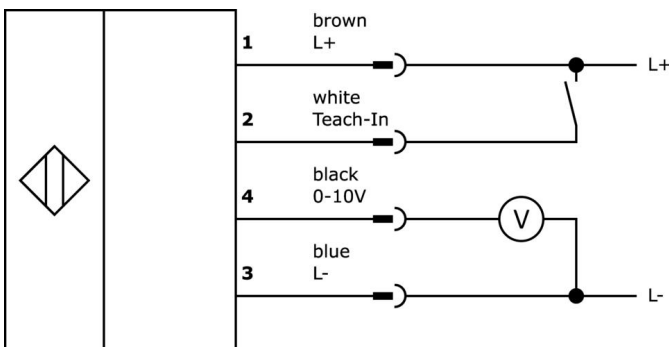
Classification

ETIM 8	
--------	--

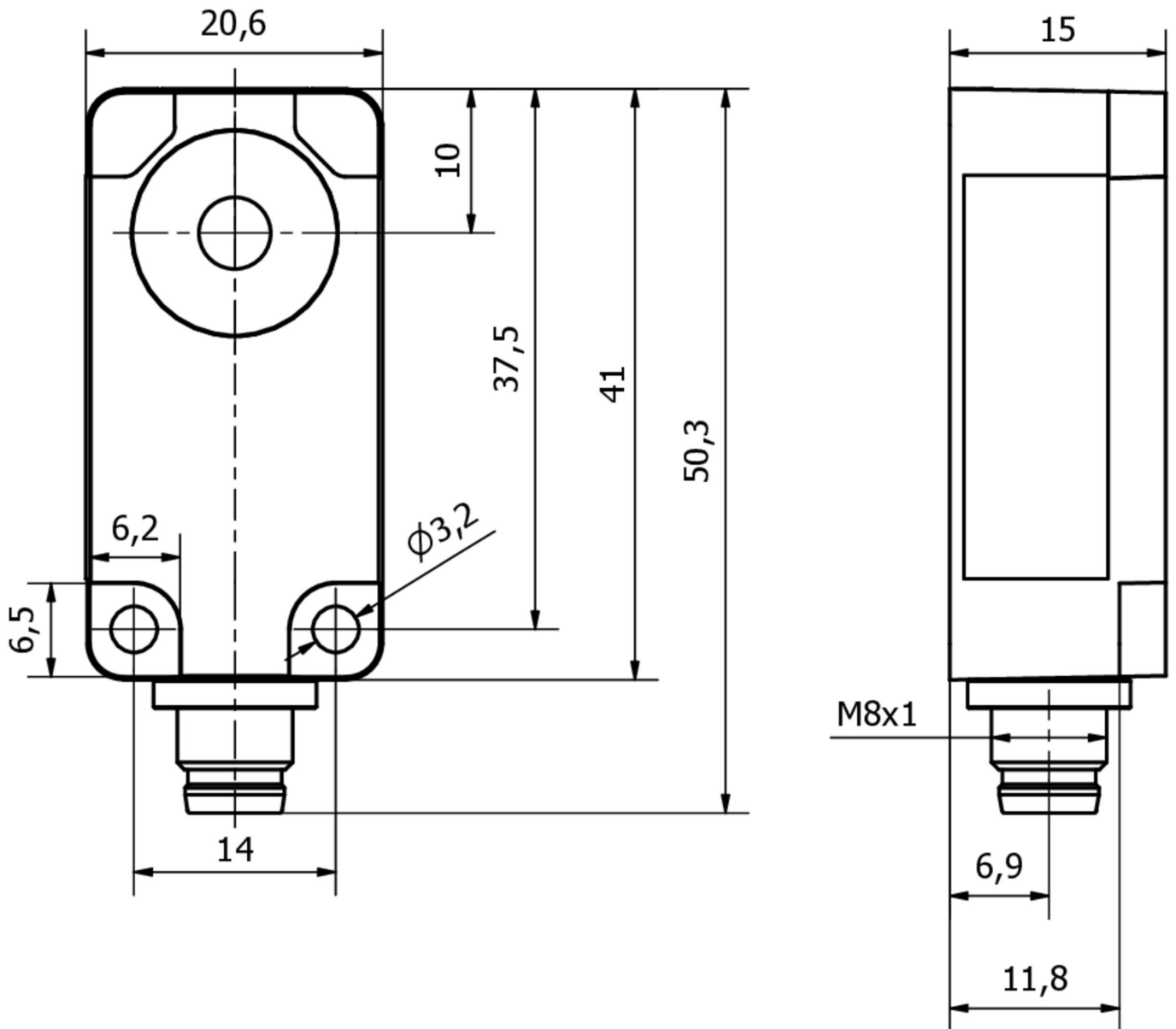
More

IPF Product Group	259 ultrasonic sensors (analog)
packaging dimensions	123 x 77 x 25 mm
gross weight	
Customs tariff number	85365019
WEEE number	40951076
OzDS-compliant	Yes
POP-compliant	Yes
Reach-compliant	Yes
RoHS-compliant	Yes

Connection



Dimensional drawing



Extract accessories program**VK200371**

Connection cable, 2m, M8 socket
4-pin angular, free cable end, 4x0.34mm², PUR (polyurethane), Ø4.7mm, 30V, -30-90°C, IP67, suitable for trailing chain and torsion resistant, oils and cooling lubricants, welding area, silicone-free

VK200375

Connection cable, 2m, M8 socket
4-pin straight, free cable end, 4x0.34mm², PUR (polyurethane), Ø4.7mm, 30V, -30-90°C, IP67, suitable for trailing chain and torsion resistant, oils and cooling lubricants, welding area, silicone-free

AY000116

accessories sensor, Fixture kit,
Metal, ball joint

AY000162

Accessories, magnetic, Ø43mm,
neodymium-iron-boron, inside
thread M5, rubber

You can find further accessories on our homepage

**Installation**

Mounting / installation may only be carried out by a qualified electrician!

**Disposal**

WEEE number according to § 6 para. 3
ElektroG: 40951076

Safety warnings

/ Before initial operation, please make sure to follow all safety instructions that may be provided in the product information.

/ Never use these devices in applications where the safety of a person depends on their functionality.