

UT210570

Ultrasonic sensors • Pushbuttons

Ultrasonic sensor, diffuse reflection sensor, 41x15x21mm, Sn: 10-250mm, 12-30V DC, 1x push-pull, M8 plug-in connector 4-pin, IP67, plastic, teach-in, LED, axial sound cone

- / small blind range
- / Plastic housing
- / Switching output no/nc switchable
- / M8 plug connection



IO-Link interface Setting via teach-in

Ultrasonic sensors are contactless and wear-free position switches that can also be used in harsh environmental conditions. A major advantage of these devices is that the material and surface properties of the objects to be detected can be almost any. Solid, liquid, granular and powdery materials can be recognized. The shape and color of the objects have no influence on the detection result. The ability to detect transparent materials such as foils or liquids is also of particular importance. Ultrasonic sensors are used for distance measurement (e.g. diameter detection, loop control), level or filling height control (e.g. silo detection), positioning and presence detection (e.g. glass pane positioning, film tear control, glass bottle detection).

Electrical features

Response/decay time	25 ms
Number of switching outputs	1
Display	LED display
Type of switching function	Normally closed contact/normally open contact
Type of electrical connection	Connector M8
Type of switching output	Push-pull
Rated switching current	100 mA
Setting procedure	Teach-In
Relative hysteresis	4 %
Short-circuit protection	Yes
No-load current	20 mA
Number of pins	4
Residual ripple	10 %
Sound outlet	axial
Switching distance	10 - 250 mm
Voltage drop	3 V
Temperature drift over entire measuring range	2 %
Carrier frequency	370 kHz
Reverse polarity protection	Yes
Absolute repeat accuracy	0.5 mm
Operating voltage (DC)	12 - 30 V
ardSOCA_ElektrischerAnschluss	M8 4-pin plug connector
ardSOCA_Betriebsspannung	12-30VDC

Mechanical features

Design	Cuboid
Width	20.5 mm
Length	15 mm
Degree of protection (IP)	IP67
Housing material	Plastic ASA
Ambient temperature	-25 - 65 °C
ardSOCA_Abmessungen	15x20,5mm

Other features

Operating frequency	370 kHz
IO-Link version	V1.1.3
Object detection on conveyor systems	Yes
ardTE00_Anwendungen	Niveauabfrage

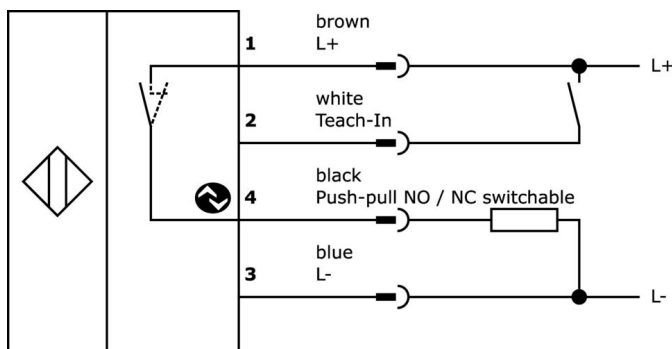
Classification

ETIM 8

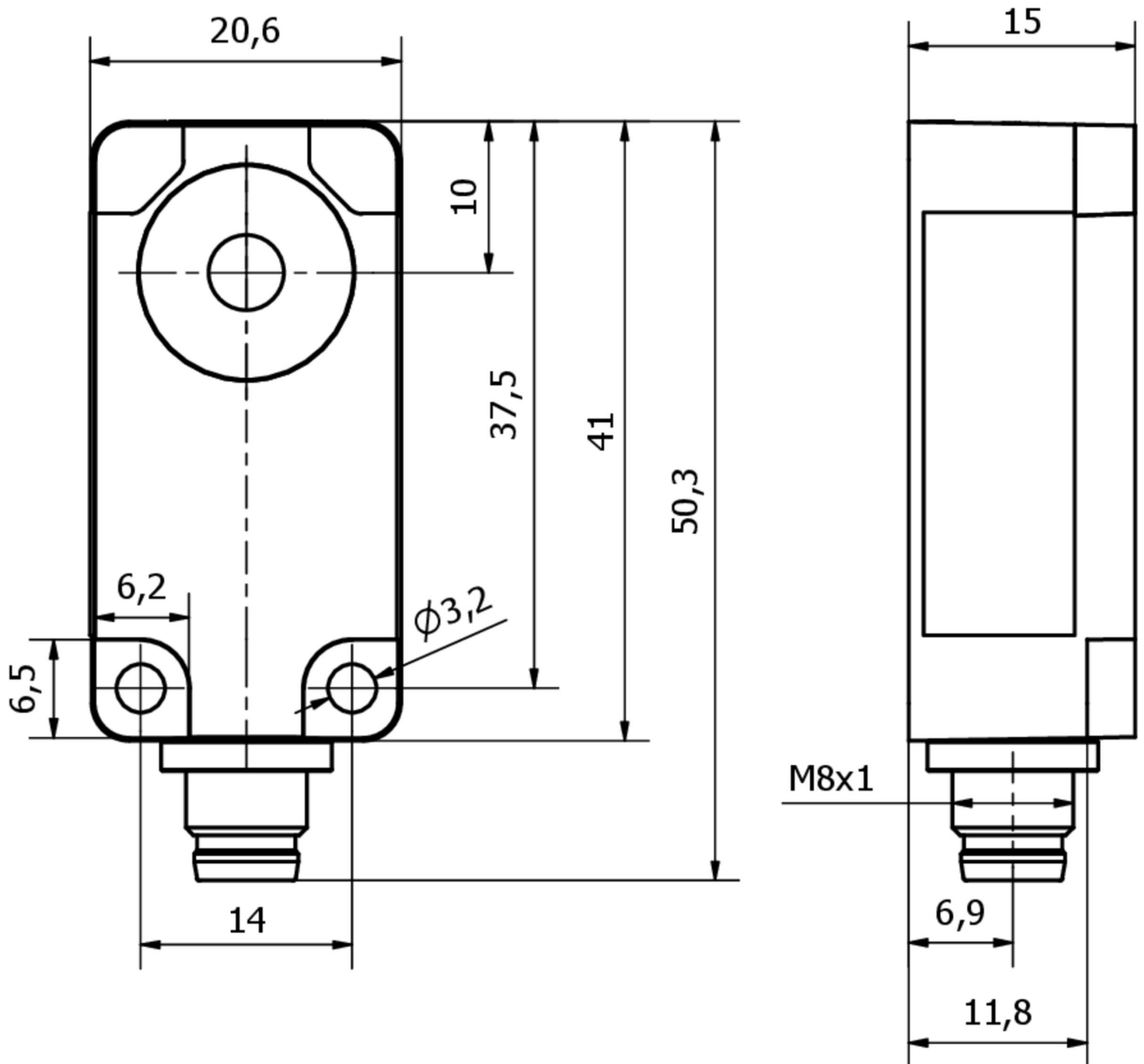
More

IPF Product Group	250 ultrasonic sensors
packaging dimensions	123 x 77 x 25 mm
gross weight	36 g
Customs tariff number	85365019
WEEE number	40951076
Reach-compliant	Yes
RoHS-compliant	Yes

Connection



Dimensional drawing



Extract accessories program**VK200371**

Connection cable, 2m, M8 Female (socket) 4pin Angular, Free conductor end, 4x0.34mm², PUR (Polyurethane), Ø4.7mm, 30V, -30-90°C, IP67, Suitable for trailing chain and torsion resistant, Oil and cooling lubricants, Welding area, Silicone-free

VK200375

Connection cable, 2m, M8 Female (socket) 4pin Straight, Free conductor end, 4x0.34mm², PUR (Polyurethane), Ø4.7mm, 30V, -30-90°C, IP67, Suitable for trailing chain and torsion resistant, Oil and cooling lubricants, Welding area, Silicone-free

AY000116

accessories sensor, Fixture kit, Metal, ball joint

AY000162

Accessories, magnetic, Ø43mm, neodymium-iron-boron, inside thread M5, rubber

You can find further accessories on our homepage

**Installation**

Mounting / installation may only be carried out by a qualified electrician!

**Disposal**

WEEE number according to § 6 para. 3
ElektroG: 40951076

Safety warnings

/ Before initial operation, please make sure to follow all safety instructions that may be provided in the product information.

/ Never use these devices in applications where the safety of a person depends on their functionality.

/ Any software, drivers or IODD files that may be required to operate your device can be downloaded free of charge from our homepage: www.ipf-electronic.com