

VD589820

Encoder • parameterizable

Encoder, programmable, Ø58mm 58long, solid shaft 6mm, 65536 pulses, 5-30V DC, M12 connector 8-pin, IP65, aluminum

- / Solid shaft Ø6mm
- / USB interface
- / M12 connection 8-pin radial
- / High shock and vibration resistance



Incremental encoder programmable

The VD589820 is an encoder that detects rotational movements and belongs to the angle measuring devices. This parameterizable incremental encoder simulates an impulse disc with periodic shift division. With the help of computer support, the resolution and the zero signal can be individually adjusted. The VD589820 supports both TTL and HTL signals for maximum flexibility.

Up to 65536 pulses per revolution can be achieved with the VD589820. A 6mm solid shaft is provided for the mechanical connection.

Electrical features

| | |
|-----------------------------------|----------------------------|
| Type of electrical connection | Connector M12 |
| Type of switching output | Push-pull |
| Rated switching current | 20 mA |
| Setting procedure | Application software |
| Increments per revolution | 65536 |
| No-load current | 45 mA |
| Shaft length | 10 |
| Number of pins | 8 |
| Switching frequency | 900000 Hz |
| Signal outputs | A+B+0(+inverted) |
| Measurement principle | Optical |
| Supported communication interface | USB |
| Operating voltage (DC) | 5 - 30 V |
| ardSOCA_ElektrischerAnschluss | M12 8-pin plug connector |
| ardSOCA_Betriebsspannung | DIAGNOSTIC COVERAGE: 5-30V |
| ardTEEL_Schutzfunktionen | Short circuit protection |

Mechanical features

| | |
|------------------------------------|---------------------|
| Type of encoder shaft | Full shaft |
| Axial load capacity of shaft | 40 N |
| Encoder size | 58 |
| Torque | 0.01 Nm |
| Diameter | 58 mm |
| Shaft diameter | 6 mm |
| Cable infeed | radial |
| Length | 58.5 mm |
| Max. rotation speed | 6000 upm |
| Radial load capacity of the shaft | 40 N |
| Shock resistance, acceleration | 100 g |
| Shock resistance, pulse time | 6 ms |
| Degree of protection (IP) | IP65 |
| Moment of inertia | 30 gcm ² |
| Vibration resistance, acceleration | 10 g |
| Housing material | Aluminum |
| Shaft bearing | Ball bearing |
| Bearing life | 10000000000 Turns |
| Vibration resistance Frequency | 16 - 2000 Hz |
| Ambient temperature | -20 - 80 °C |
| ardSOCA_Abmessungen | Ø58mm, 58.5mm long |

Other features

| | |
|--------------------|-----------------------|
| Range of functions | Inkremete einstellbar |
|--------------------|-----------------------|

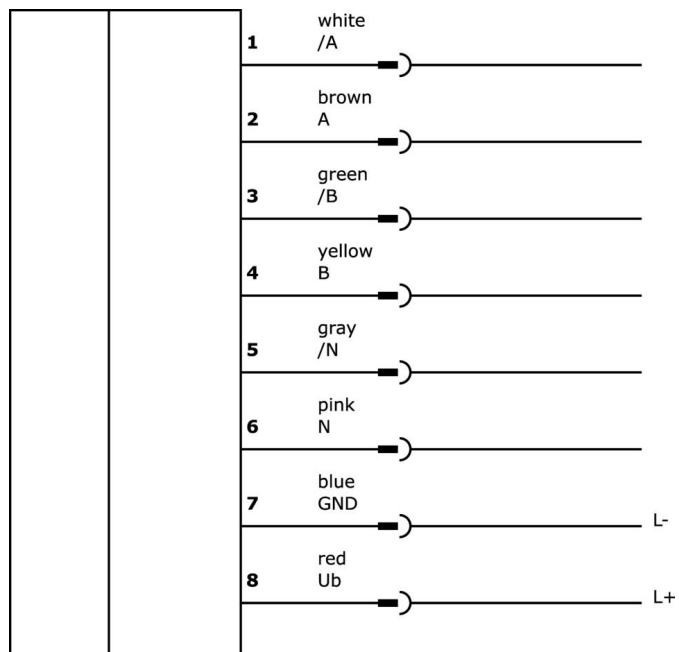
Classification

| | |
|--------|--|
| ETIM 8 | |
|--------|--|

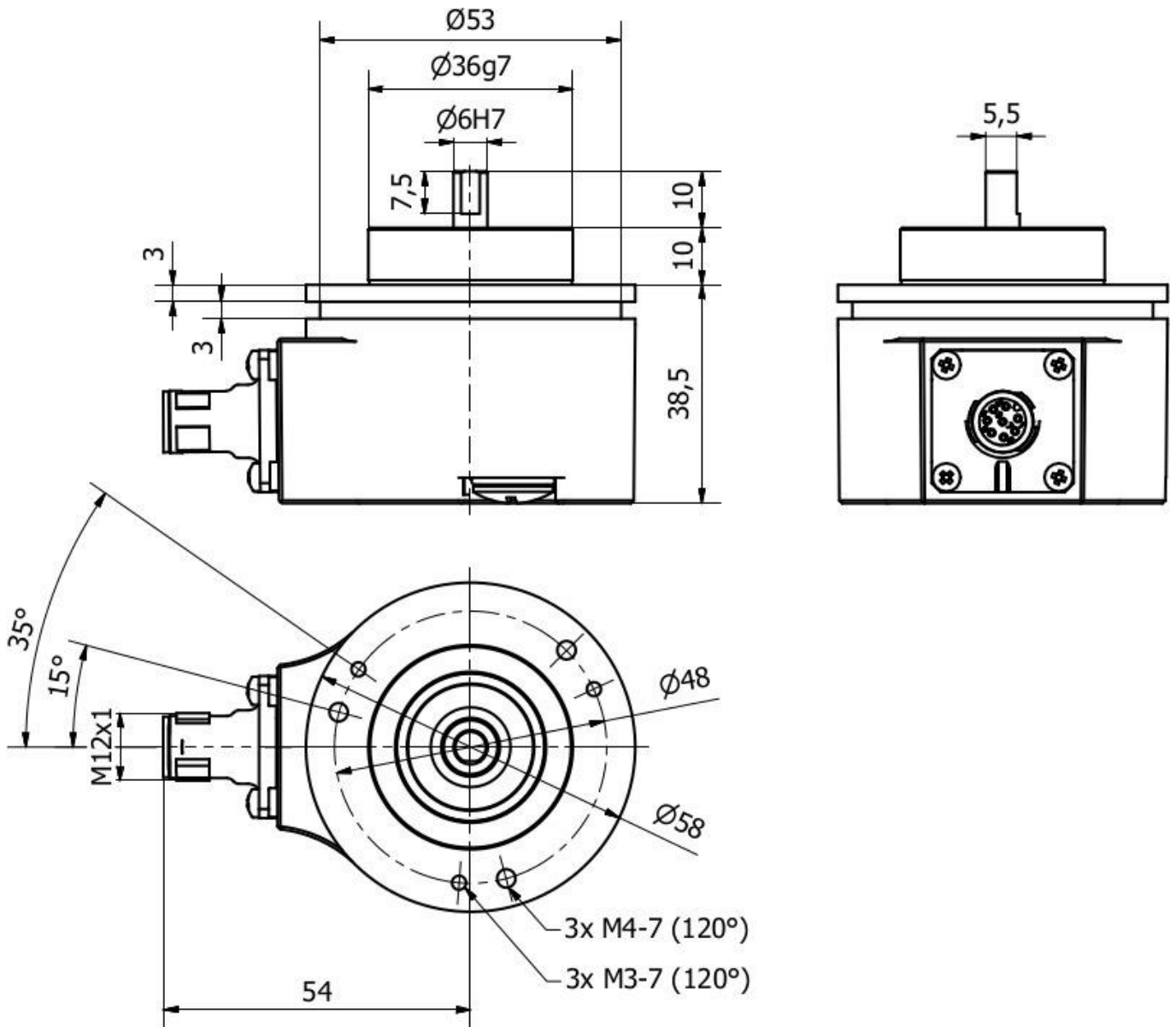
More

| | |
|-----------------------|--------------------|
| IPF Product Group | 520 encoders |
| packaging dimensions | 140 x 130 x 110 mm |
| gross weight | 401 g |
| Customs tariff number | 90318020 |
| WEEE number | 40951076 |
| Reach-compliant | Yes |
| RoHS-compliant | Yes |

Connection



Dimensional drawing



Extract accessories program

VK205A21



Connection cable, 2m, M12 socket 8-pin angular, free cable end, 8x0.25mm², PUR (polyurethane), Ø6.6mm, 30V, -25-90°C, IP67, shielded, suitable for trailing chain and torsion resistant, oils and cooling lubricants, welding range, silicone-free

VK205A25



Connection cable, 2m, M12 socket 8-pin straight, free cable end, 8x0.25mm², PUR (polyurethane), Ø6.6mm, 30V, -25-90°C, IP67, shielded, suitable for trailing chain and torsion resistant, oils and cooling lubricants, welding area, silicone-free

AV000138



Accessories, mounting bracket, 76x40x80mm, bracket, stainless steel

AV000146



Accessories, spring arm, 180x66x75mm, aluminum

AV000032



Accessories Miscellaneous, helical coupling for encoders, Ø25mm 32long, aluminum, 6/10mm shaft

AV000034



accessories miscellaneous, Measuring wheel, 12mm wide, Plastic

VK200A25



Connection cable, 2m, M12 Female (socket) 8pin Straight, Free conductor end, 8wire, PUR (Polyurethane), Ø5.9mm, Suitable for trailing chain and torsion resistant, Oil and cooling lubricants, Welding area, Silicone-free

VK500A25



Connection cable, 5m, M12 socket 8-pin straight, free cable end, 8-core, PUR (polyurethane), Ø5.9mm, suitable for trailing chain and torsion resistant, oils and cooling lubricants, welding area, silicone-free

VK100U44



Programming cable, 1m, USB-2.0-Micro-B connector 4-pin straight, USB-A connector 4-pin straight, PVC

You can find further accessories on our homepage



Installation

Mounting / installation may only be carried out by a qualified electrician!



Disposal

WEEE number according to § 6 para. 3 ElektroG: 40951076

Safety warnings

/ Before initial operation, please make sure to follow all safety instructions that may be provided in the product information.

/ Never use these devices in applications where the safety of a person depends on their functionality.

/ Any software, drivers or IODD files that may be required to operate your device can be downloaded free of charge from our homepage: www.ipf-electronic.com