

## VK000008

### Connection technology • Distribution terminals

distributor, 6x M12 5pin, PBT, M20 x 1.5

including Cable gland, Identification label, Screw plug



The wiring of sensors and actors is considerably more comfortable with our sensor distribution box. The individual devices are connected with the distributor via an M8 or M12 cable that is pre-assembled on both sides. By means of the trunk line the effort for laying and wiring the cables can be reduced significantly. The operating mode display provides information about the sensors operating mode (operating voltage, switching state). Thus, troubleshooting is simpler, as an overview about the functioning of the connected periphery is directly given.

#### Electrical features

Type of A electrical connection	M12
Type of B electrical connection	Clamps
Number of pins of A connection	5
Number of slots	6

#### Mechanical features

Width	131.5 mm
Height	60 mm
Length	41.5 mm
Housing material	PBT
Type of cable gland	M20 x 1.5

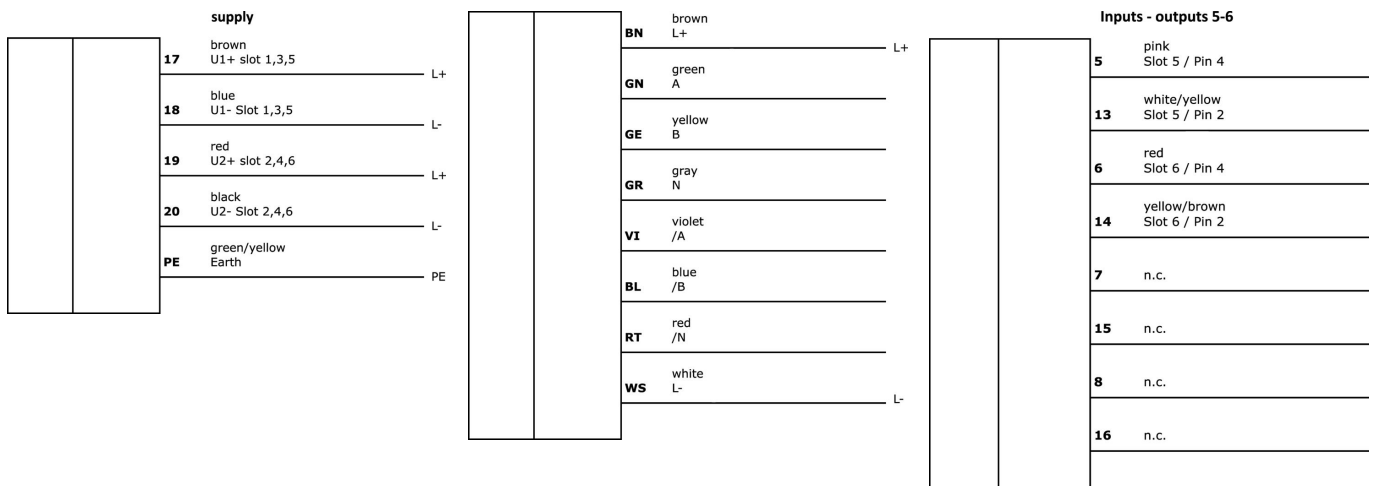
#### Classification

ETIM 8	EC002585 Passive sensor/actuator distributor (with cable)
--------	---

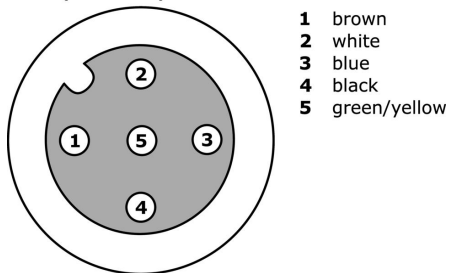
**More**

IPF Product Group	855 cable sockets / connectors (distributor, accessories, diverse)
packaging dimensions	73 x 68 x 48 mm
gross weight	250 g
Customs tariff number	85366990
WEEE number	40951076
OzDS-compliant	Yes
POP-compliant	Yes
Reach-compliant	Yes
RoHS-compliant	Yes

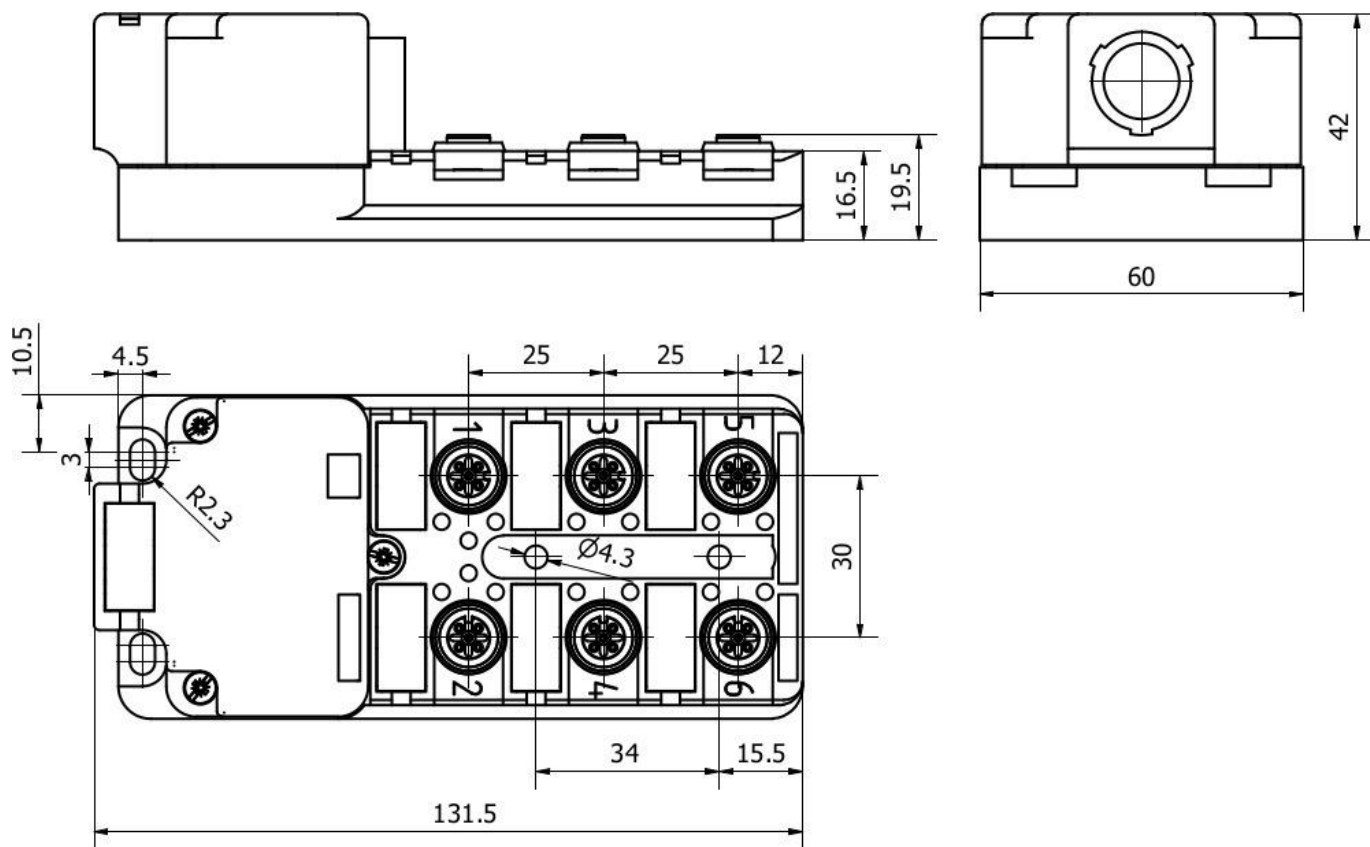
**Connection**



**Inputs - outputs 1-6**



**Dimensional drawing**



**Extract accessories program**

**VK000004**



Screw plug, M12x1.5, plastic, black

**VK030F21**



Connection cable, 0.3m, M12 socket 4-pin angular, M12 connector 4-pin straight, 4x0.34mm<sup>2</sup>, 240V, IP67, suitable for trailing chain and torsion resistant, oils and cooling lubricants, welding area, silicone-free

**VK030F25**



Connection cable, 0.3m, M12 socket 4-pin straight, M12 connector 4-pin straight, 4x0.34mm<sup>2</sup>, PUR (polyurethane), 240V, IP67, suitable for trailing chain and torsion resistant, oils and cooling lubricants, welding area, silicone-free

**VK003026**



Cable connector, Angular, Suitable for self-assembly, Screw connection,  $\varnothing 3-6.5$ mm, 4A, 240V, -25-90°C, M12 Male (connector) 4pin, IP67, PBT

**VK003028**



Cable connector, Straight, Suitable for self-assembly, Screw connection,  $\varnothing 3-6.5$ mm, 4A, 240V, -25-90°C, M12 Male (connector) 4pin, IP67, PBT

**VK003027**



Cable connector, Angular, Suitable for self-assembly, Screw connection,  $\varnothing 3-6.5$ mm, 4A, 60V, -25-90°C, M12 Male (connector) 5pin, IP67, PBT

**VK003029**



Cable connector, Straight, Suitable for self-assembly, Screw connection,  $\varnothing 3-6.5$ mm, 4A, 60V, -25-90°C, M12 Male (connector) 5pin, IP67, PBT

**AV000085**



Accessories, cable tail 16x0.34+3x0.75, PUR (polyurethane), suitable for trailing chain, oils and cooling lubricants, sold by the meter

You can find further accessories on our homepage

**Installation**

Mounting / installation may only be carried out by a qualified electrician!

**Disposal**

WEEE number according to § 6 para. 3  
ElektroG: 40951076

**Safety warnings**

- / Before initial operation, please make sure to follow all safety instructions that may be provided in the product information.
- / Never use these devices in applications where the safety of a person depends on their functionality.