

VK000052

Connection technology • Y-distribution terminal

distributor, 33x15x40mm, Parallel wiring, 60V, 2x M8 3pin, M8 3pin, IP67, 4A



The wiring of sensors and actors is considerably more comfortable with our sensor distribution box. The individual devices are connected with the distributor via an M8 or M12 cable that is pre-assembled on both sides. By means of the trunk line the effort for laying and wiring the cables can be reduced significantly. The operating mode display provides information about the sensors operating mode (operating voltage, switching state). Thus, troubleshooting is simpler, as an overview about the functioning of the connected periphery is directly given.

Electrical features

Type of plug-in contact, A connection	Female (socket)
Type of plug-in contact, B connection	Male (connector)
Type of A electrical connection	M8
Type of B electrical connection	M8
Rated switching current	4000 mA
Max. ampacity per I/O signal	4 A
Max. total current	4 A
Number of pins of slots	3
Number of pins of trunk line	3
Number of slots	2
Operating voltage (AC 50Hz)	60 V
Operating voltage (DC)	60 V

Mechanical features

Width	40 mm
Height	33 mm
Length	15 mm
Degree of protection (IP)	IP67
Type of cable gland	none
Ambient temperature	-25 - 85 °C

Other features

Features	Parallel wiring
----------	-----------------

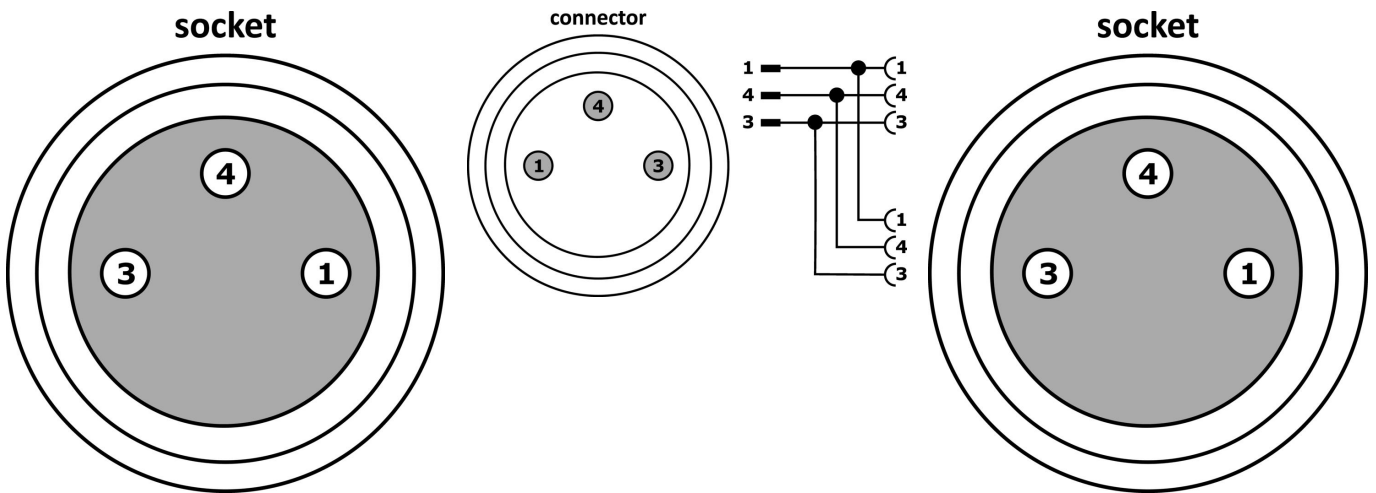
Classification

ETIM 8	EC002585 Passive sensor/actuator distributor (with cable)
--------	---

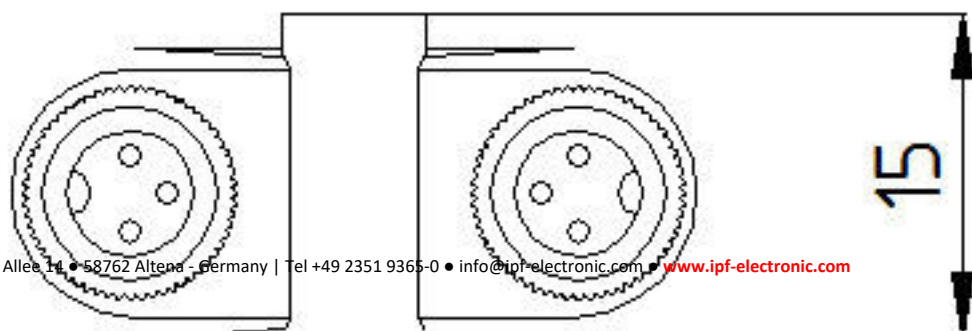
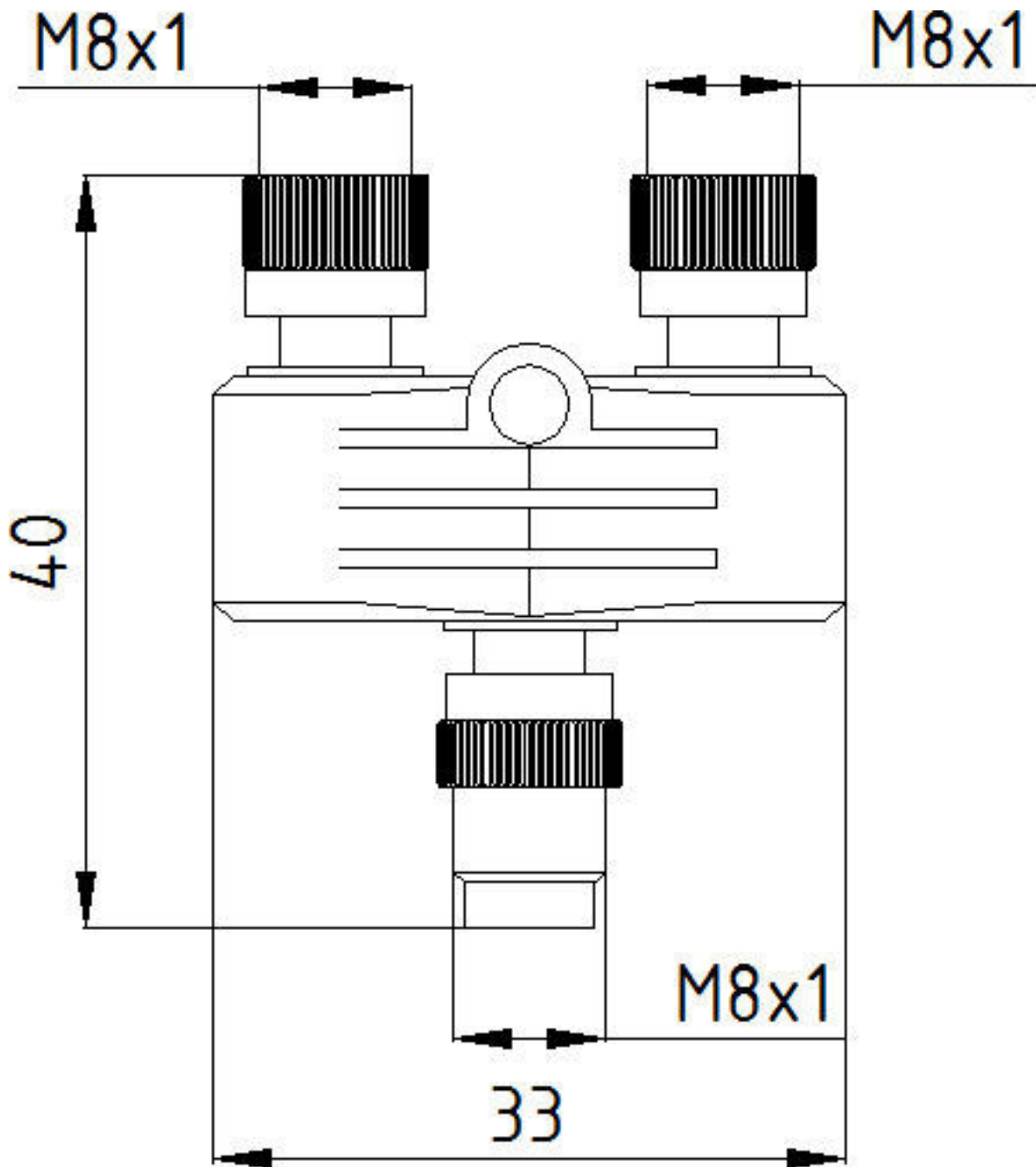
More

IPF Product Group	855 cable sockets / connectors (distributor, accessories, diverse)
packaging dimensions	120 x 100 x 18 mm
gross weight	17 g
Customs tariff number	85366990
WEEE number	40951076
OzDS-compliant	Yes
POP-compliant	Yes
Reach-compliant	Yes
RoHS-compliant	Yes

Connection



Dimensional drawing



Extract accessories program

VK200271



Connection cable, 2m, M8 Female (socket) 3pin Angular, Free conductor end, 3x0.34mm², PUR (Polyurethane), Ø4.3mm, -30-90°C, IP67, With LED display, Suitable for trailing chain and torsion resistant, Oil and cooling lubricants, Welding area, Silico...

VK500271



Connection cable, 5m, M8 Female (socket) 3pin Angular, Free conductor end 3pin, 3x0.34mm², PUR (Polyurethane), Ø4.3mm, -30-90°C, IP67, With LED display, Suitable for trailing chain and torsion resistant, Oil and cooling lubricants, Welding area, S...

VK030F72



Connection cable, 0.3m, M8 socket 3-pin angular, M8 connector 3-pin straight, 3x0.34mm², PUR (polyurethane), IP67, LED, suitable for trailing chain and torsion resistant, oils and cooling lubricants, welding area, silicone-free

VK060F72



Connection cable, 0.6m, M8 socket 3-pin angular, M8 connector 3-pin straight, 3x0.34mm², PUR (polyurethane), IP67, LED, suitable for trailing chain and torsion resistant, oils and cooling lubricants, welding area, silicone-free

VK003070



Cable socket, Angular, Suitable for self-assembly, Soldering connection, Ø3.5-5mm, 4A, 60V, -40-85°C, M8 Female (socket) 3pin, IP67, Brass

VK003074



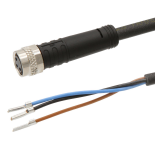
Cable socket, Straight, Suitable for self-assembly, Soldering connection, Ø3.5-5mm, 4A, 60V, -40-85°C, M8 Female (socket) 3pin, IP67, Brass

VK200071



Connection cable, 2m, M8 Female (socket) 3pin Angular, Free conductor end, 3x0.34mm², PUR (Polyurethane), Ø4.3mm, 60V, -40-90°C, IP67, TPU, Suitable for trailing chain and torsion resistant, Oil and cooling lubricants, Welding area, Silicone-free

VK200075



Connection cable, 2m, M8 female (socket) 3pin Straight, free conductor end, 3x0.34mm², PUR (Polyurethane), Ø4.3mm, 60V, -30-90°C, IP67, suitable for trailing chain and torsion resistant, oil and cooling lubricants, welding area, Silicone-free

VK030F70



Connection cable, 0.3m, M8 socket 3-pin angular, M8 connector 3-pin straight, 3x0.34mm², PUR (polyurethane), 60V, IP67, suitable for trailing chain and torsion resistant, oils and cooling lubricants, welding area, silicone-free

You can find further accessories on our homepage



Installation

Mounting / installation may only be carried out by a qualified electrician!



Disposal

WEEE number according to § 6 para. 3 ElektroG: 40951076

Safety warnings

/ Before initial operation, please make sure to follow all safety instructions that may be provided in the product information.

/ Never use these devices in applications where the safety of a person depends on their functionality.