

## VK003025

### Connection technology • Cable sockets / connectors for self-assembly

Cable socket, Straight, Suitable for self-assembly, Screw connection, Ø3-6.5mm, 4A, 60V, -25-90°C, M12 Female (socket) 5pin, IP67, PBT



ipf cable sockets are used primarily for establishing the electrical connection of sensors. Their features are characterized by rugged design, the highest protection classes (IP67 | IP68 | IP69K) and, if desired, with 360° shielding. With the features: bus-ready, suitable for use with drag chains and robots, resistance to oil and chemicals, resistance to welding sparks, their resistance to cleaning agents or high-pressure and steam-jet cleaning, the expanded temperature range of up to +230°C, the rapid interconnection technology and special data transmission properties, the cable sockets meet all requirements in automation technology.

#### Electrical features

Type of plug-in contact, A connection	Female (socket)
Type of A electrical connection	M12
Type of B electrical connection	Screw connection
Number of pins of A connection	5
Ampacity	4 A
Operating voltage (AC 50Hz)	60 V
Operating voltage (DC)	60 V

#### Mechanical features

Wire cross section	0,75 mm <sup>2</sup>
Cable infeed	straight
Cable infeed of A connection	straight
Coding of connection A	A
Degree of protection (IP)	IP67
Contact coating material	Gold
Housing material	PBT
Contact body material	Brass
Permitted cable diameter	3 - 6,5 mm
Material of the screw fitting	Brass
Ambient temperature	-25 - 90 °C

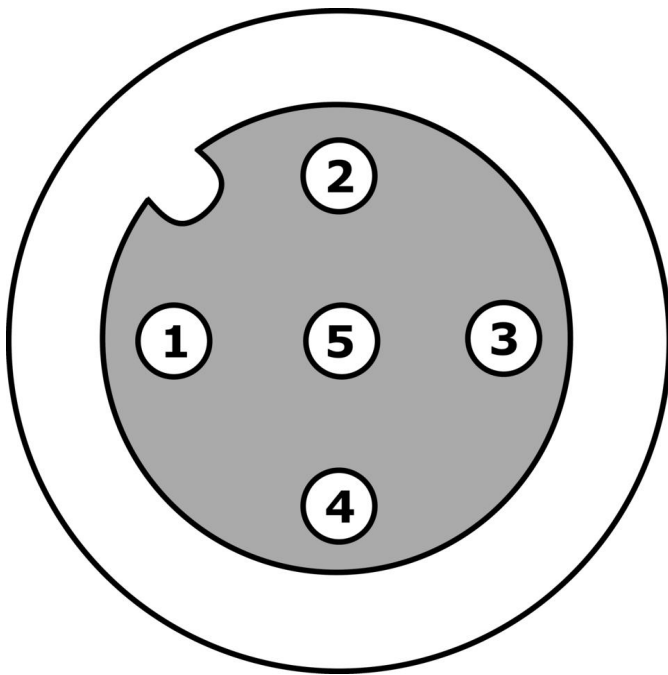
#### Classification

ETIM 8	EC001855 Assembled sensor-actuator cable
--------	--

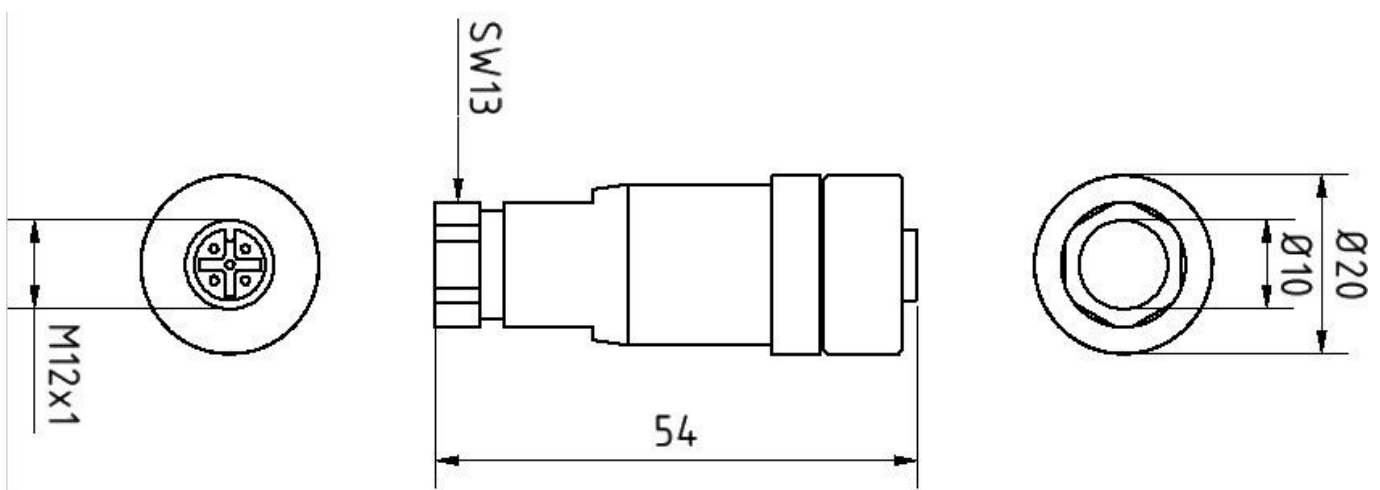
**More**

IPF Product Group	852 cable sockets / connectors (self-assembly)
packaging dimensions	120 x 100 x 30 mm
gross weight	30 g
Customs tariff number	85369010
WEEE number	40951076
Reach-compliant	Yes
RoHS-compliant	Yes

**Connection**



**Dimensional drawing**



**Installation**

Mounting / installation may only be carried out by a qualified electrician!



**Disposal**

WEEE number according to § 6 para. 3  
ElektroG: 40951076

---

**Safety warnings**

- / Before initial operation, please make sure to follow all safety instructions that may be provided in the product information.
- / Never use these devices in applications where the safety of a person depends on their functionality.